

[54] VACUUM CLEANER NOZZLE

[75] Inventors: Thomas H. Stevens, Closter; George L. Horton, Englewood, both of N.J.

[73] Assignee: General Signal Corporation, Stamford, Conn.

[\*\*] Term: 14 Years

[21] Appl. No.: 853,972

[22] Filed: Nov. 21, 1977

[51] Int. Cl. .... D15-05

[52] U.S. Cl. .... D15/64

[58] Field of Search ..... D15/52, 53, 54, 55, D15/62, 63, 64; 15/300 R, 319, 323, 324, 325, 326, 327 R, 327 D, 327 E, 344, 347, 354, 363, 364, 365, 367, 377, 378, 415-422

[56]

References Cited

U.S. PATENT DOCUMENTS

D. 222,631 11/1971 Gaudry ..... D15/64  
D. 248,476 7/1978 Haynes ..... D15/63

Primary Examiner—Wallace R. Burke  
Assistant Examiner—Catherine Kemper  
Attorney, Agent, or Firm—Milton E. Kleinman

[57]

CLAIM

The ornamental design for a vacuum cleaner nozzle, as shown and described.

DESCRIPTION

FIG. 1 is a top plan view of a vacuum cleaner nozzle, showing our new design;  
FIG. 2 is a front elevational view thereof;  
FIG. 3 is a bottom plan view thereof;  
FIG. 4 is a rear elevational view thereof; and  
FIG. 5 is a right side elevational view, the left side being a mirror image thereof.

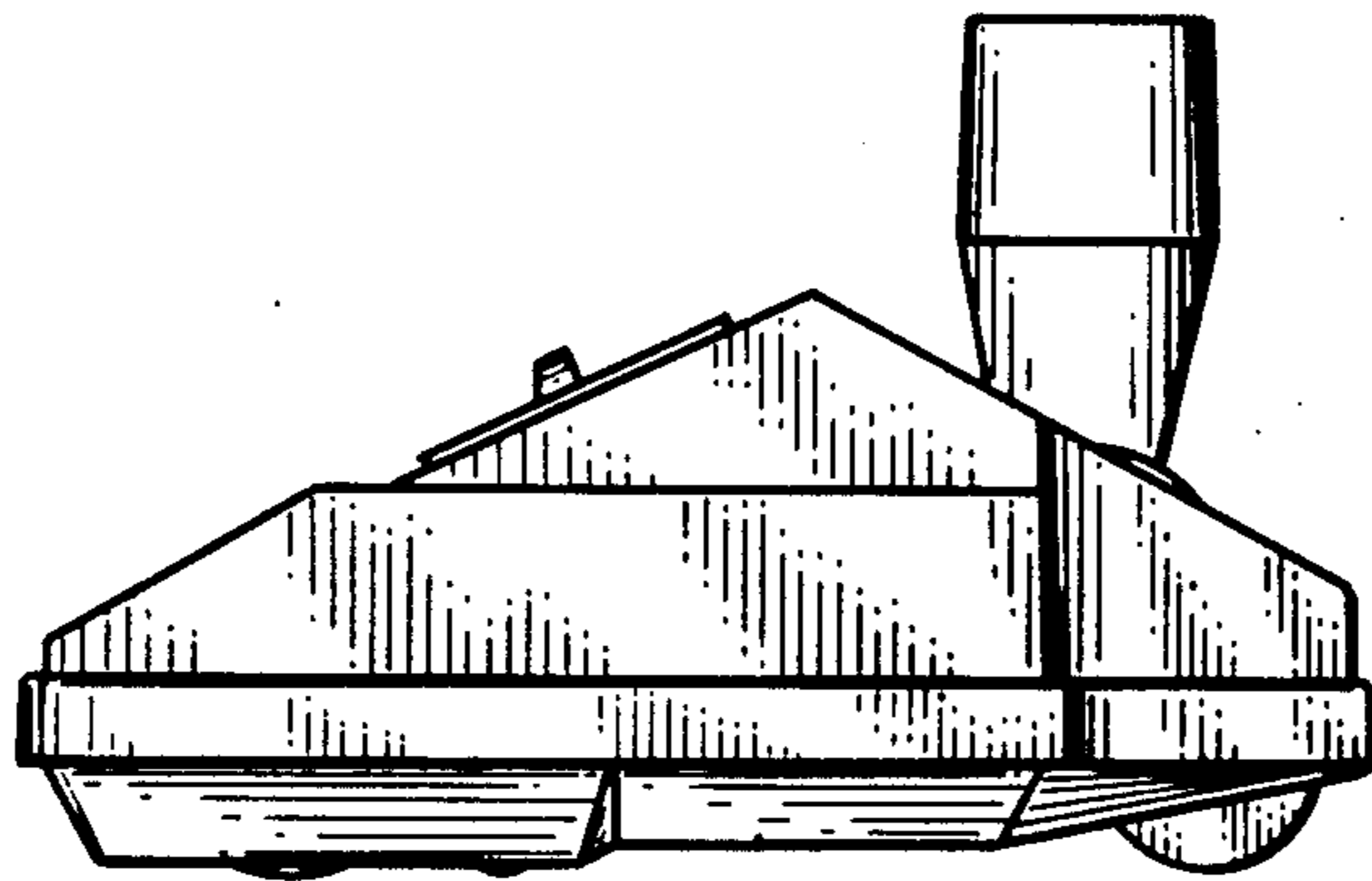
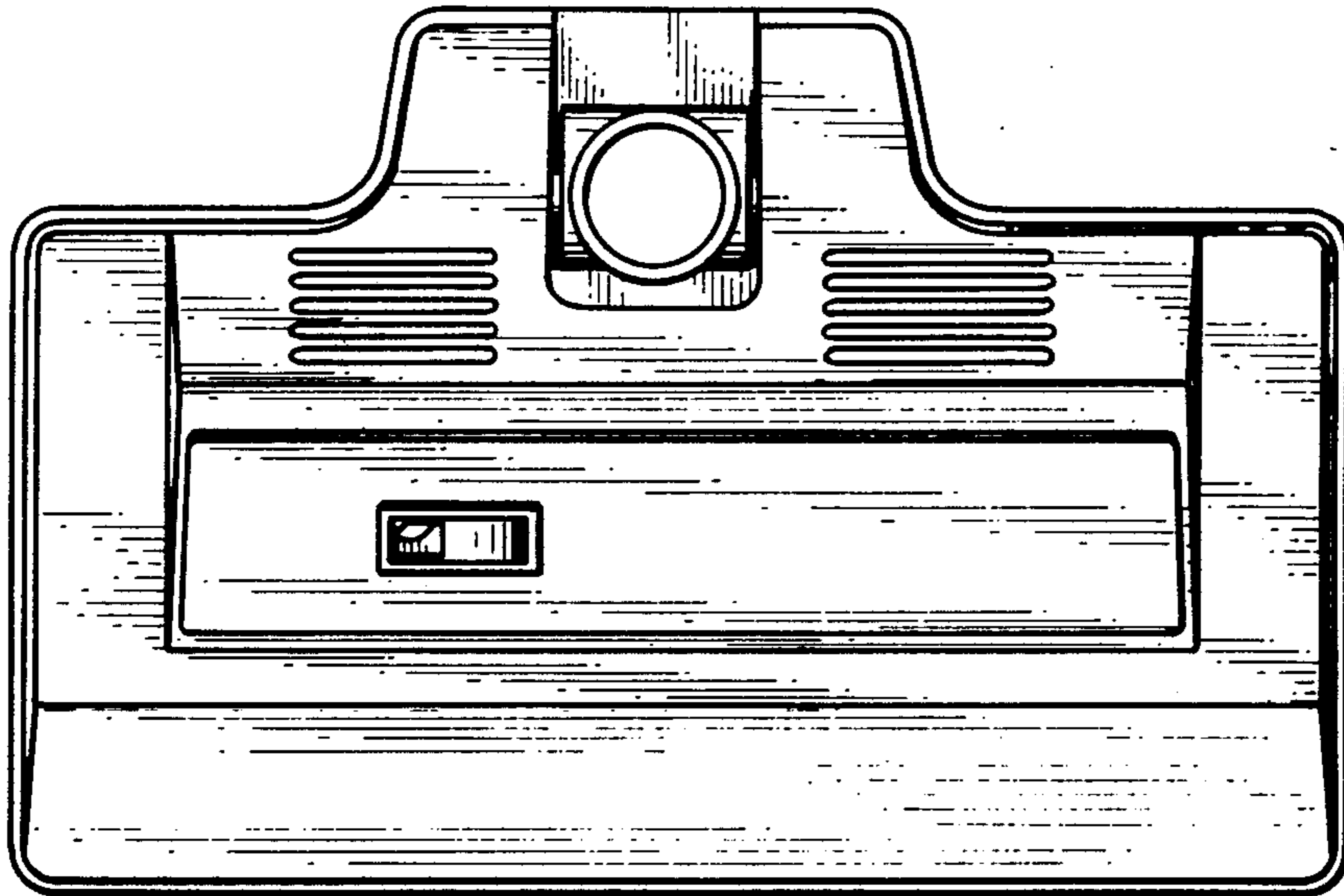


FIG. 1

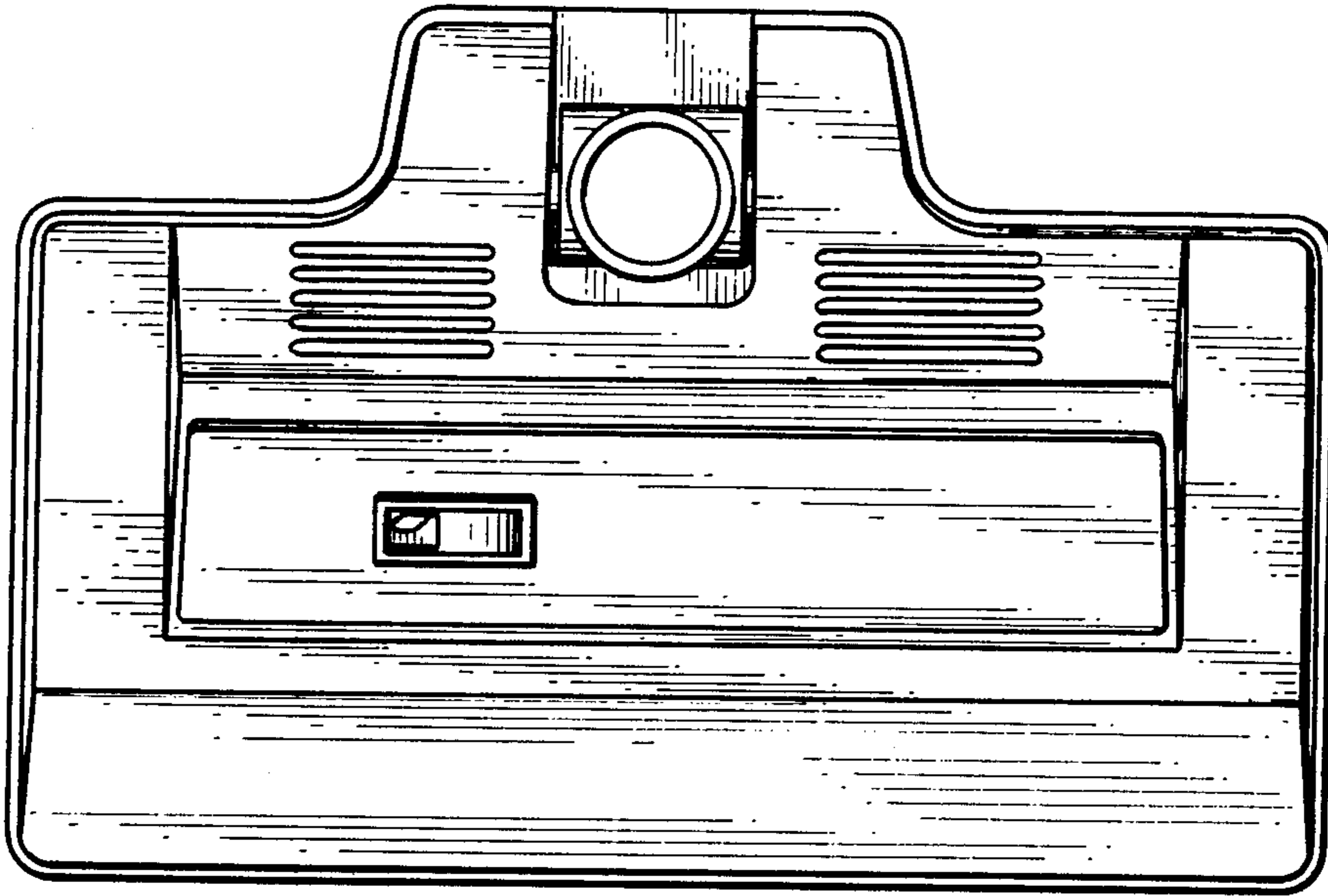


FIG. 2

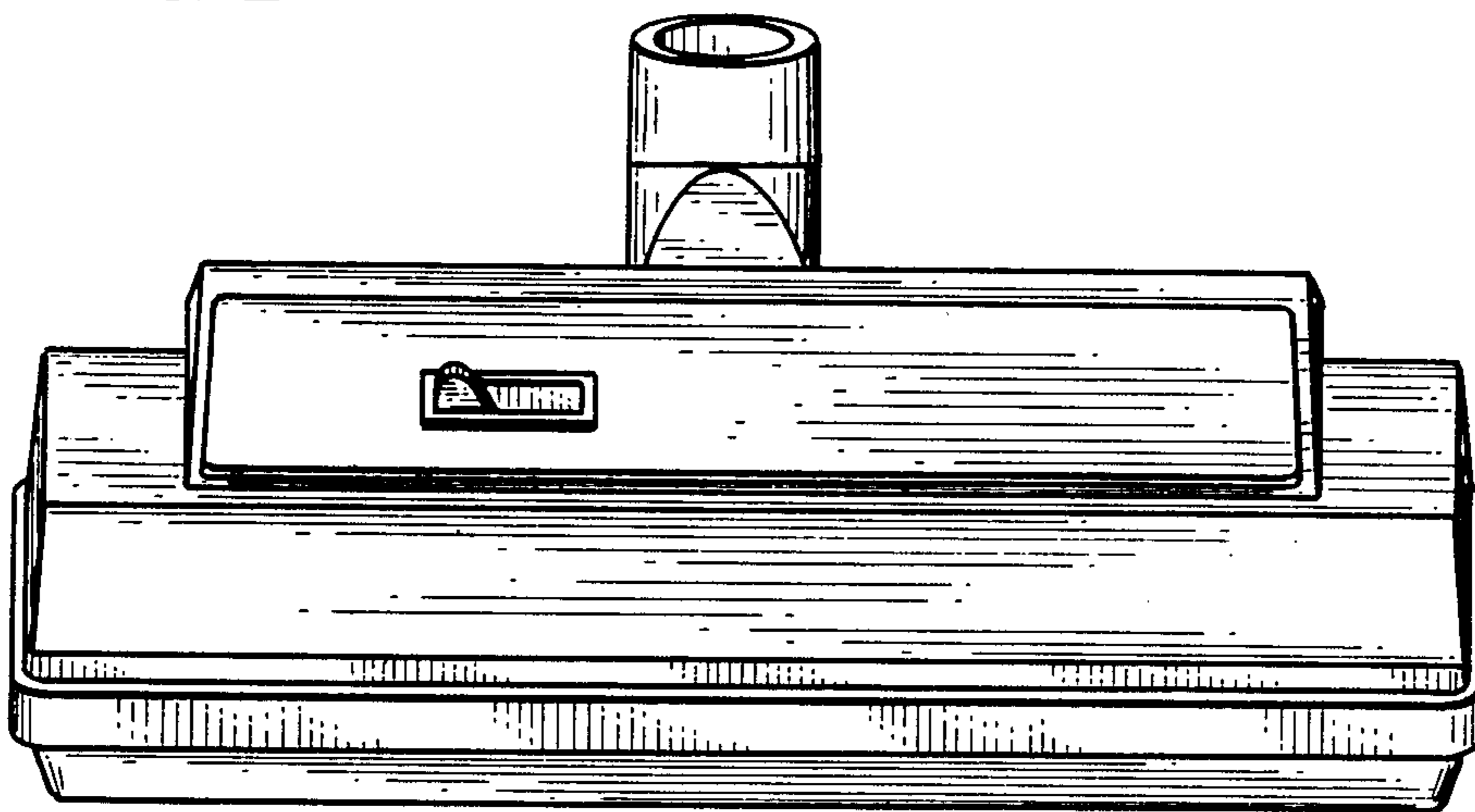


FIG. 3

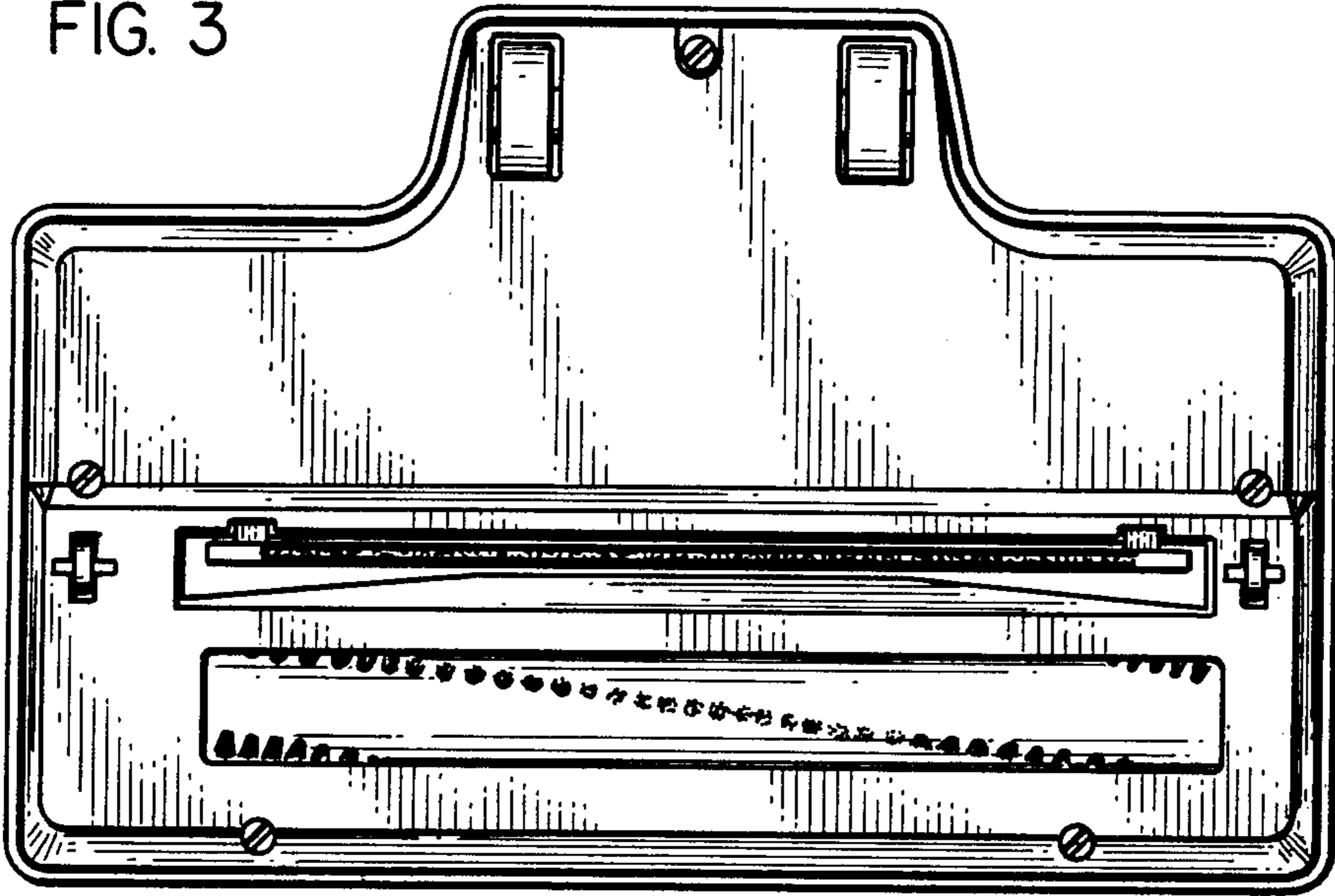


FIG. 4

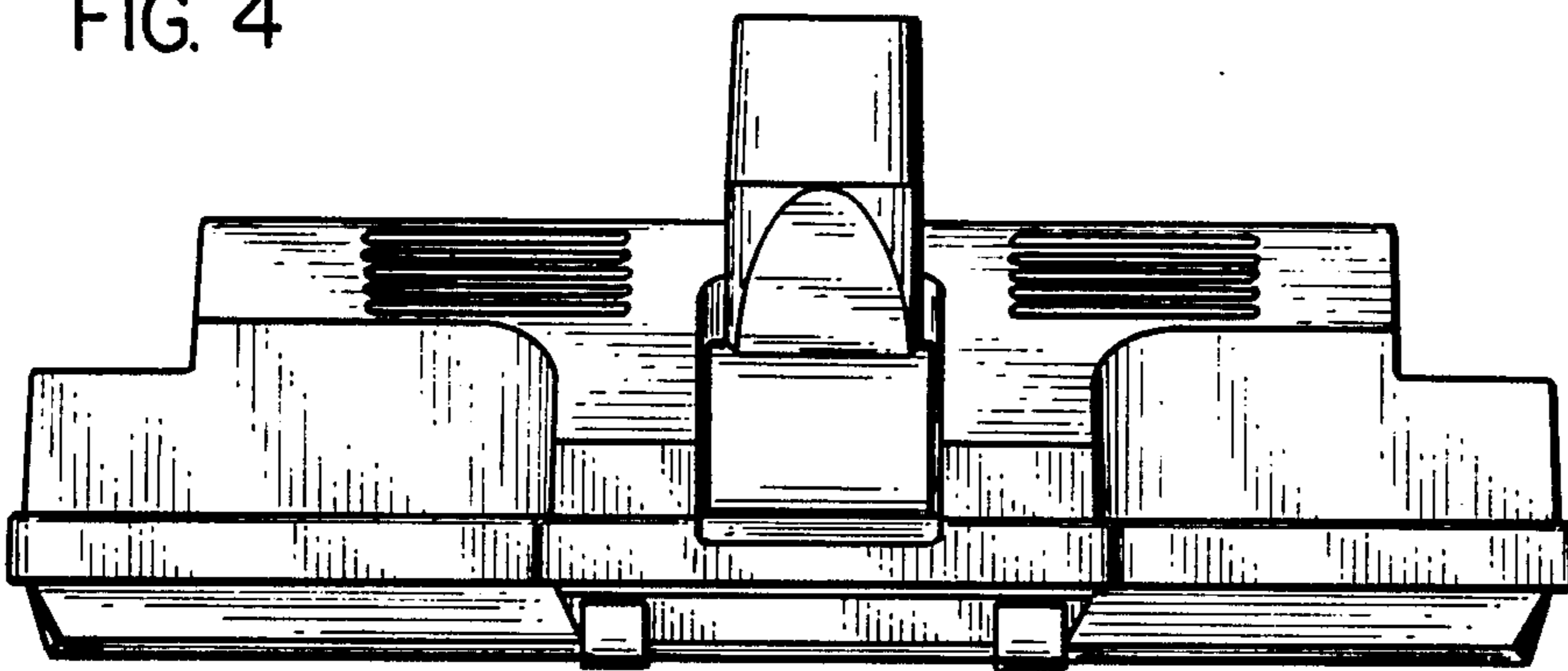


FIG. 5

