

[54] COMBINED CLIP-ON HANDLE AND PANEL INSERT FOR CABINET DOORS, DRAWERS OR THE LIKE

[76] Inventor: Edward Gidseg, 22 Park Pl., Great Neck, N.Y. 11021

[**] Term: 14 Years

[21] Appl. No.: 793,437

[22] Filed: May 3, 1977

[51] Int. Cl. D8-06

[52] U.S. Cl. D8/301; D8/314

[58] Field of Search D8/300-302, D8/305-307, 310-322, 350-353, 367; D25/74; 16/110 R, 121, 124-127; 40/331

[56] References Cited

U.S. PATENT DOCUMENTS

D. 198,363	6/1964	Riegelman	D8/302
D. 205,214	7/1966	Terrian	D8/302
D. 210,116	2/1968	Riegelman	D8/319

3,107,389 10/1963 Engelbrecht 16/124

Primary Examiner—Wallace R. Burke

Assistant Examiner—B. J. Bullock

Attorney, Agent, or Firm—Willis H. Taylor, Jr.

[57] CLAIM

The ornamental design for a combined clip-on handle and panel insert for cabinet doors, drawers or the like, substantially as shown and described.

DESCRIPTION

FIG. 1 is a reduced front perspective view of a combined clip-on handle and panel insert for cabinet doors, drawers or the like showing my new design; FIG. 2 is a front elevational view thereof; FIG. 3 is a side elevational view taken from the right of FIG. 1, the side opposite being a mirror image thereof, the section of a cabinet door being shown in broken lines for illustrative purposes only; FIG. 4 is a rear elevational view thereof; FIG. 5 is a top plan view thereof; FIG. 6 is a bottom plan view thereof.

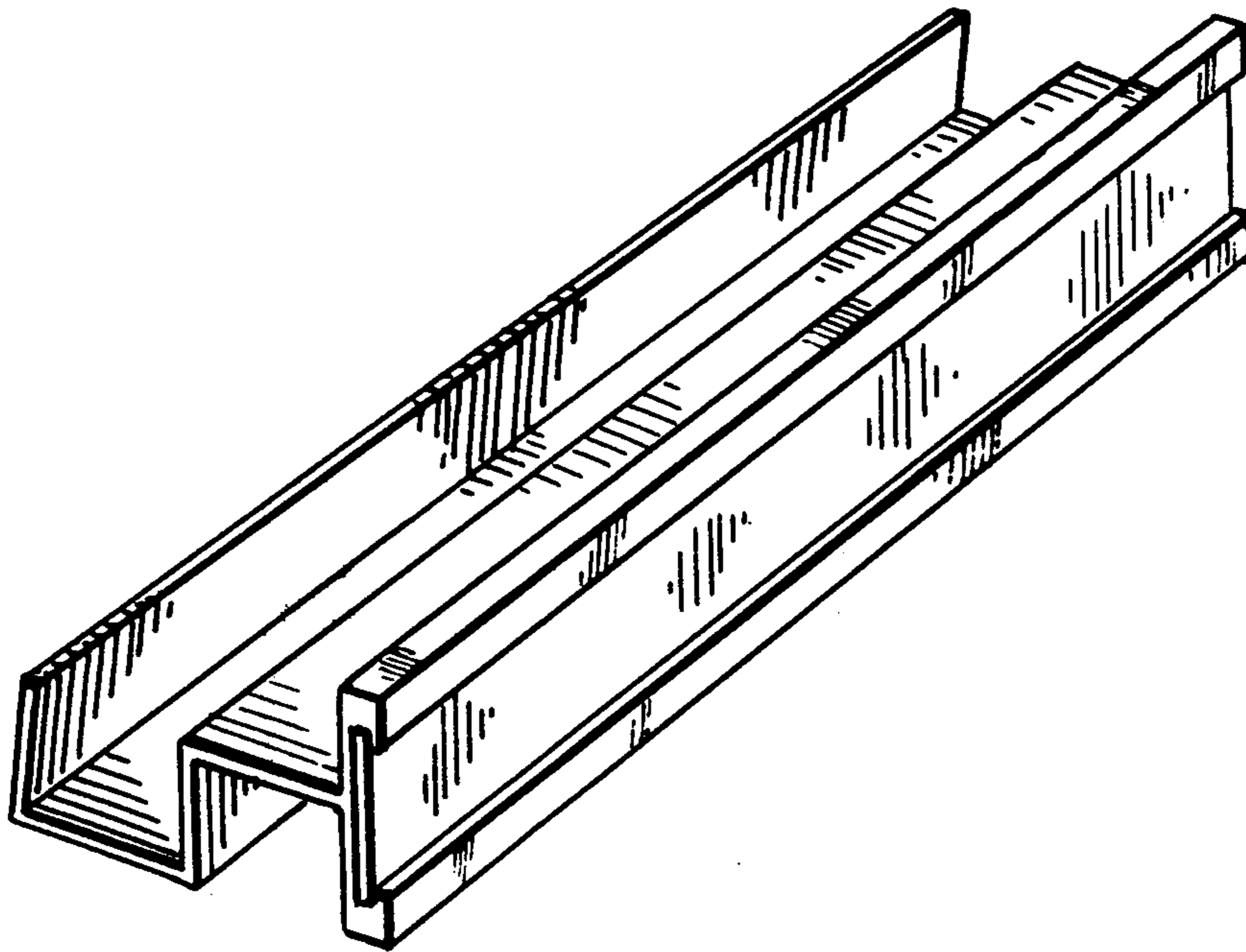


FIG. 1

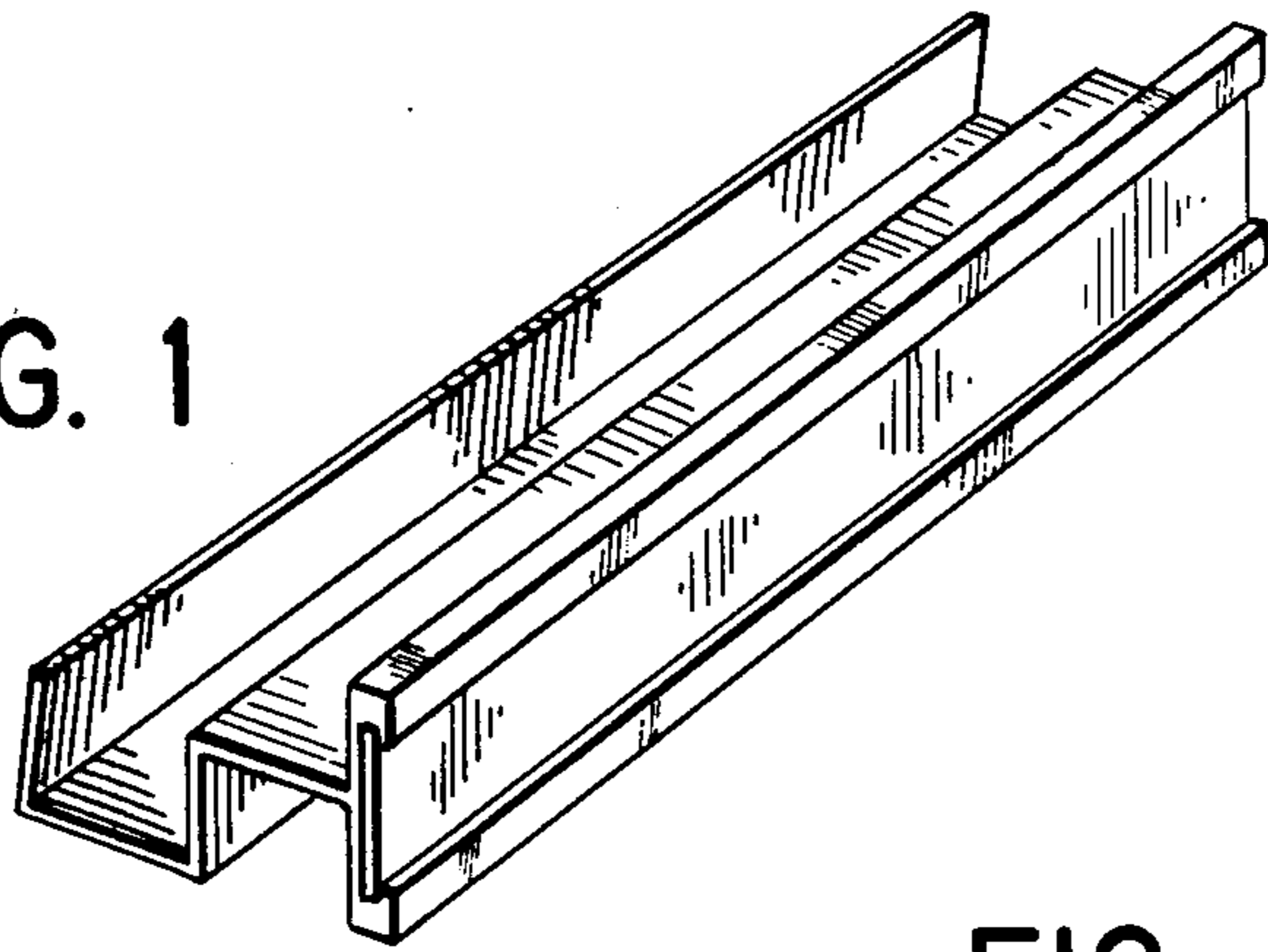


FIG. 2

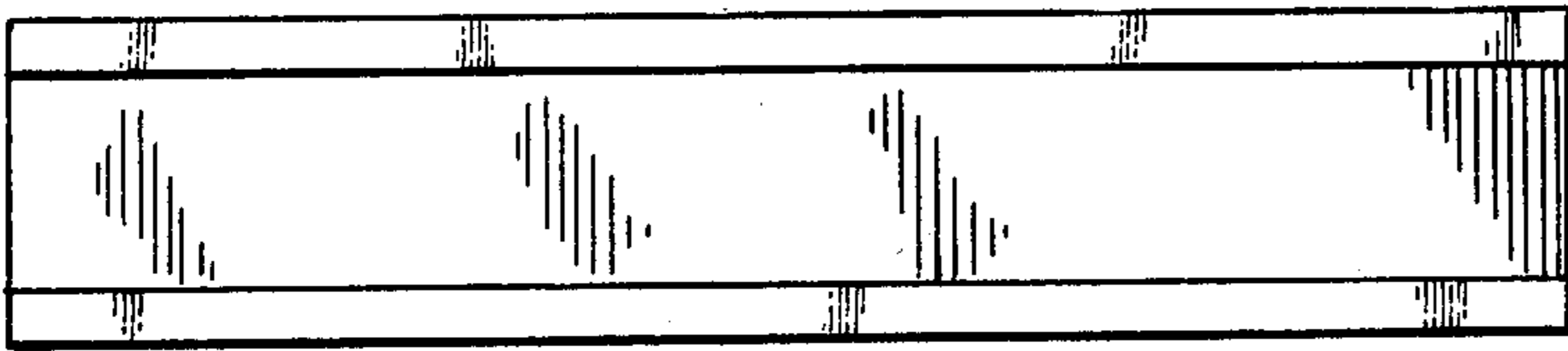


FIG. 3

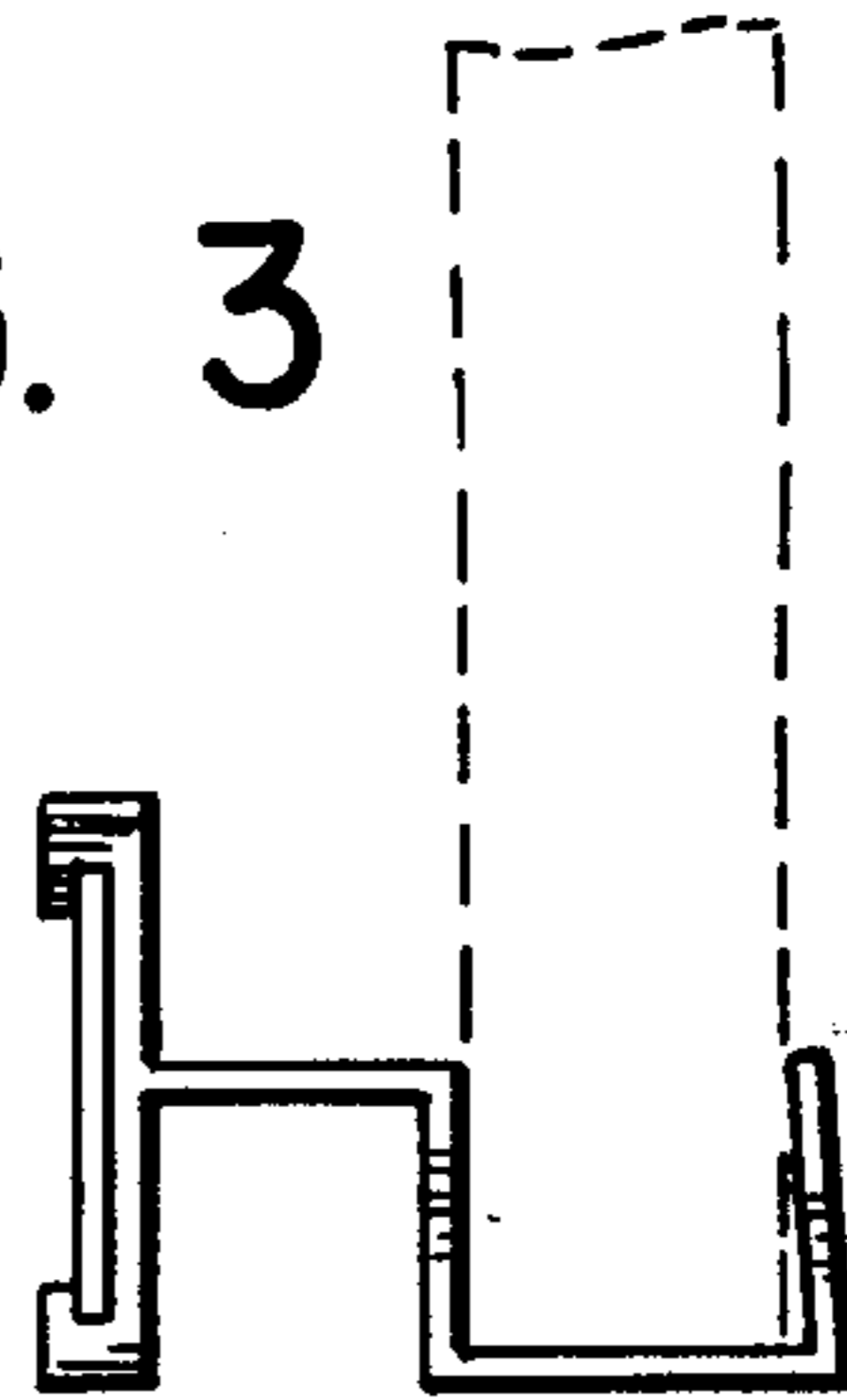


FIG. 4

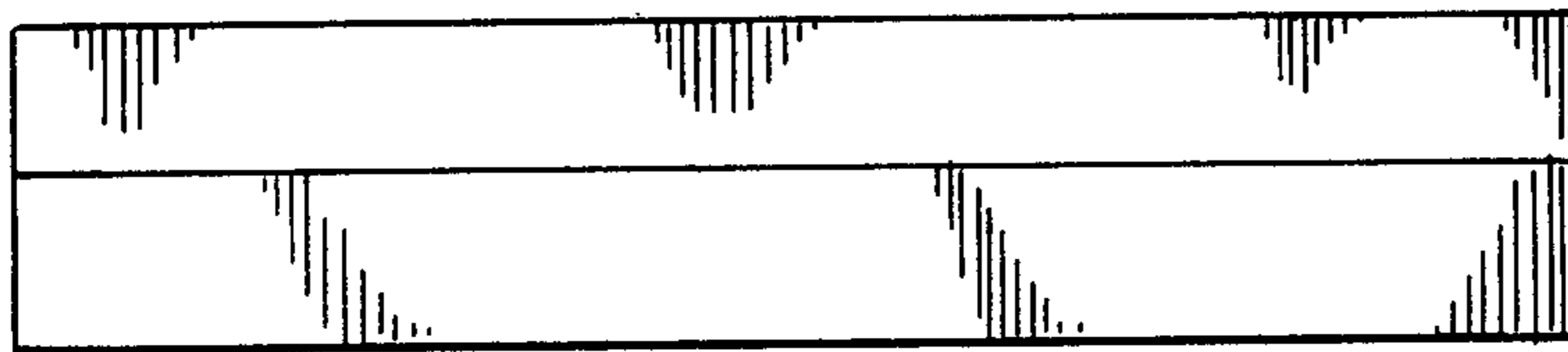


FIG. 5

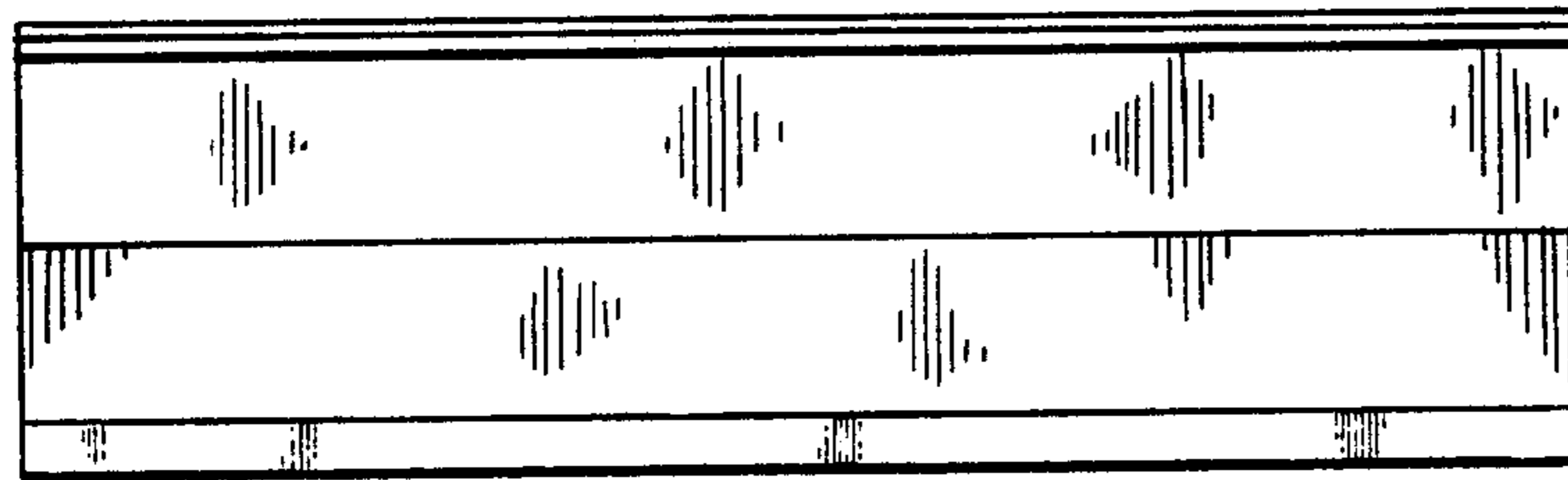


FIG. 6

