

[54] PULL TAB CAN OPENER

[76] Inventor: Daniel Gunn, 1435 Liberty Rd., Youngstown, Ohio 44505

[\*\*] Term: 14 Years

[21] Appl. No.: 837,163

[22] Filed: Sep. 28, 1977

[51] Int. Cl. .... D7-99

[52] U.S. Cl. .... D8/40

[58] Field of Search ..... D8/16, 17, 18, 19, 33, D8/34, 40, 41, 42, 43, 107; 81/3.46 R; D7/132, 151, 152

[56] References Cited

U.S. PATENT DOCUMENTS

- D. 59,378 10/1921 Saul ..... D8/18
- D. 183,483 9/1958 Furey ..... D8/18

- D. 194,280 12/1962 Conners ..... D8/40
- D. 247,716 4/1978 Koob ..... D7/151 X

FOREIGN PATENT DOCUMENTS

699533 11/1953 United Kingdom ..... 81/3.46 R

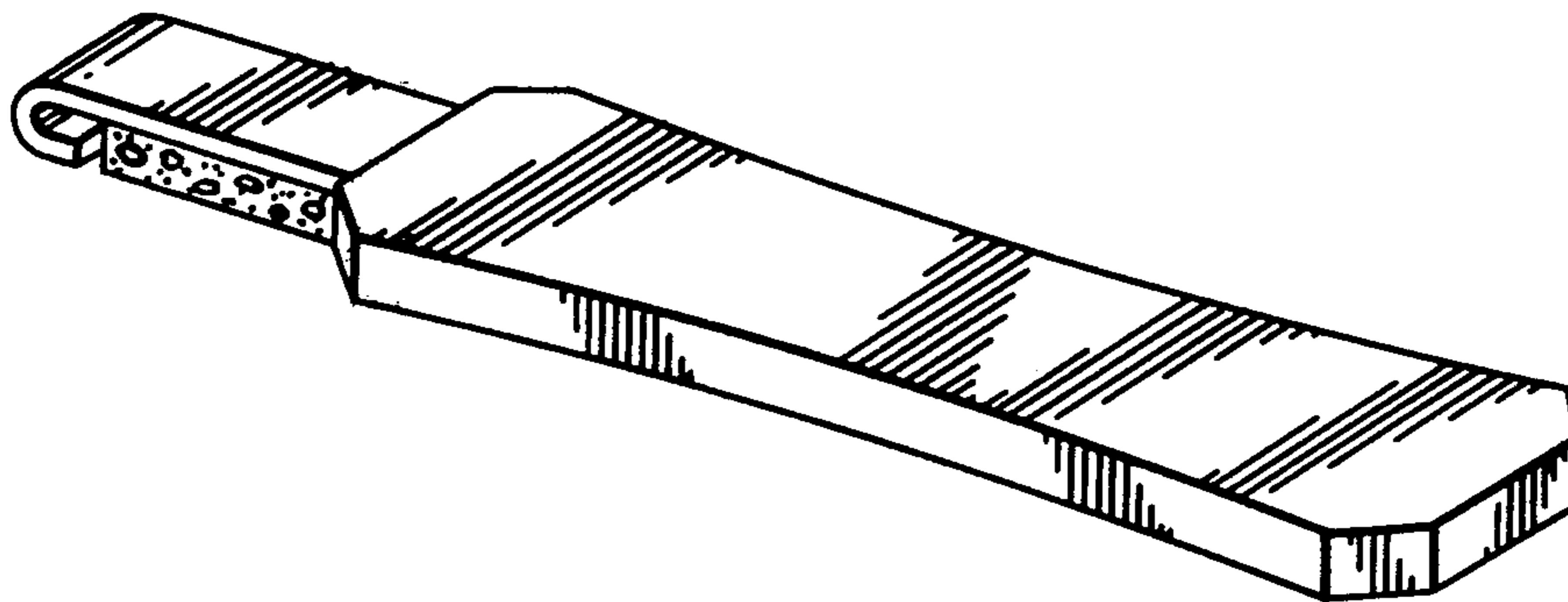
Primary Examiner—Winifred E. Herrmann  
Attorney, Agent, or Firm—Webster B. Harpman

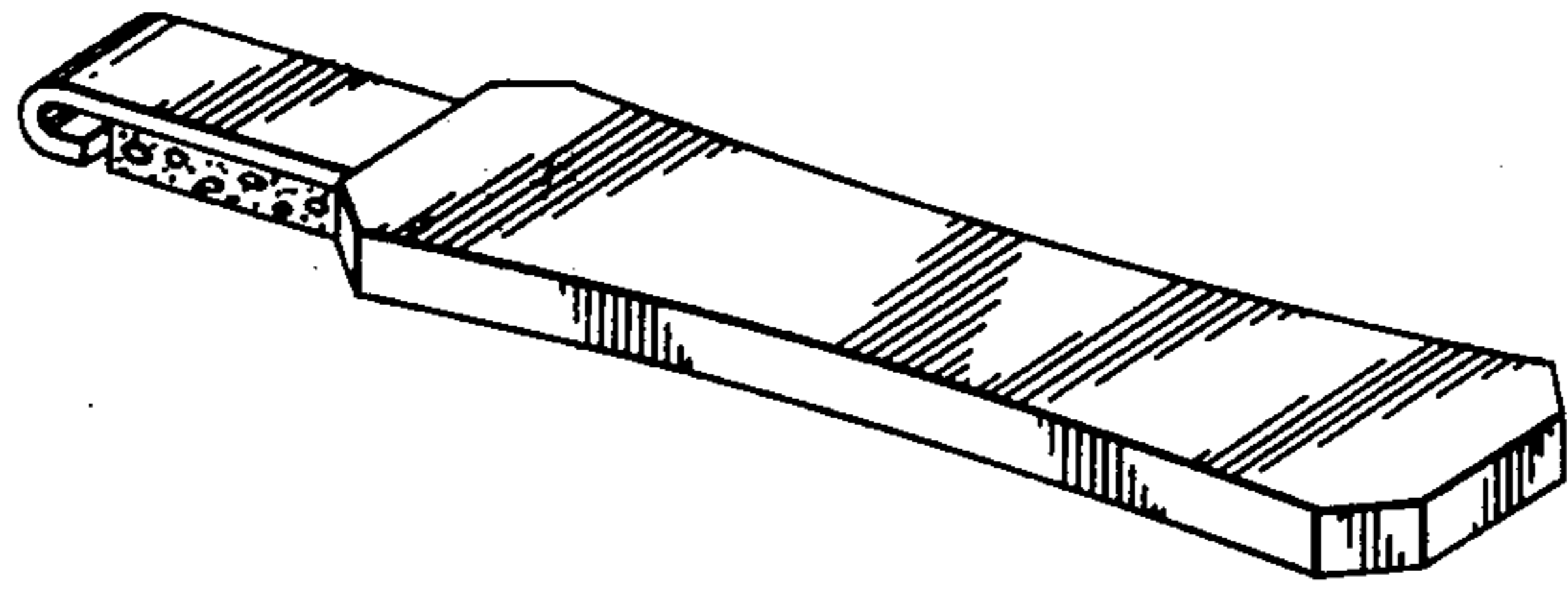
[57] CLAIM

The ornamental design for a pull tab can opener, as shown and described.

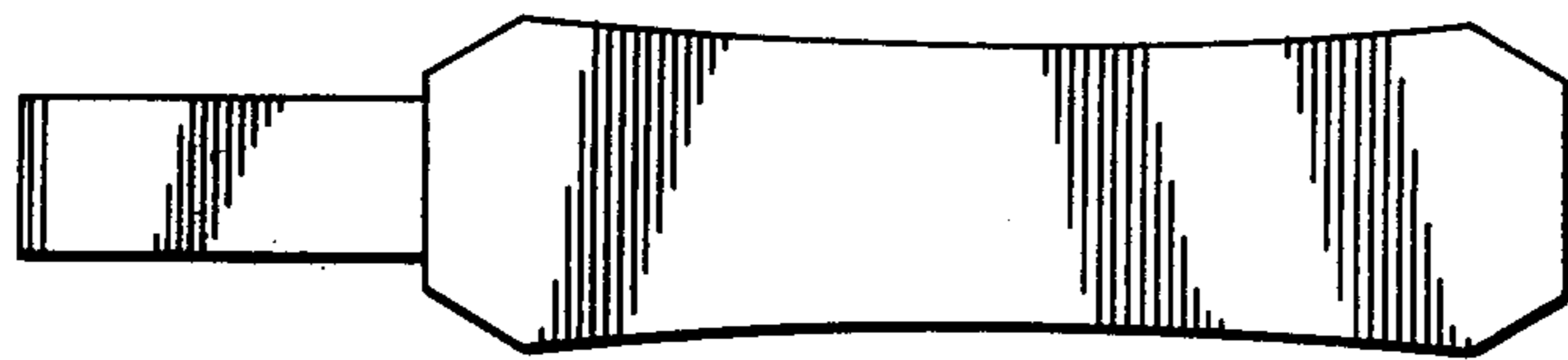
DESCRIPTION

FIG. 1 is a perspective view of a pull tab can opener showing my new design;  
FIG. 2 is a top view thereof;  
FIG. 3 is a bottom view thereof;  
FIG. 4 is a view of the left end thereof; and  
FIG. 5 is a view of the other end thereof.

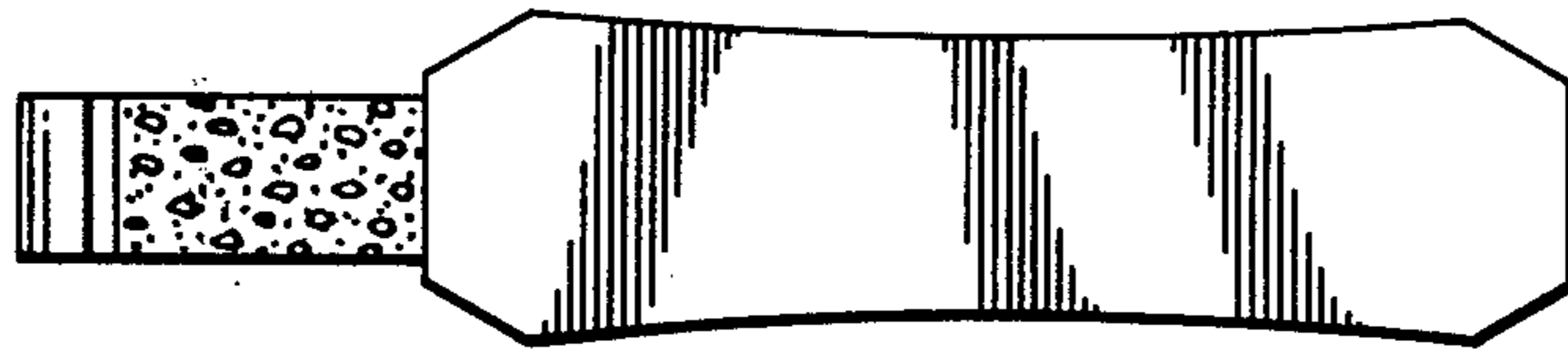




*FIG. 1*



*FIG. 2*



*FIG. 3*



*FIG. 4*



*FIG. 5*