

[54] HORSESHOE

[56]

References Cited

U.S. PATENT DOCUMENTS

[76] Inventor: **Yoshiji Hiraoka**, No. 20-15, 3-chome, Honcho, Kichijoji, Musashino-shi, Tokyo, Japan

D. 230,284	2/1974	Shenton et al.	D30/35
522,771	7/1894	Wemple	168/24
600,078	3/1898	Hughes	168/28
3,599,720	8/1971	Mathern	D30/35 X

[**] Term: **14 Years**

Primary Examiner—James R. Largen
Attorney, Agent, or Firm—Carroll F. Palmer

[21] Appl. No.: **770,402**

[57] CLAIM

The ornamental design for a horseshoe, as shown.

[22] Filed: **Feb. 22, 1977**

DESCRIPTION

[51] Int. Cl. **D30-99**

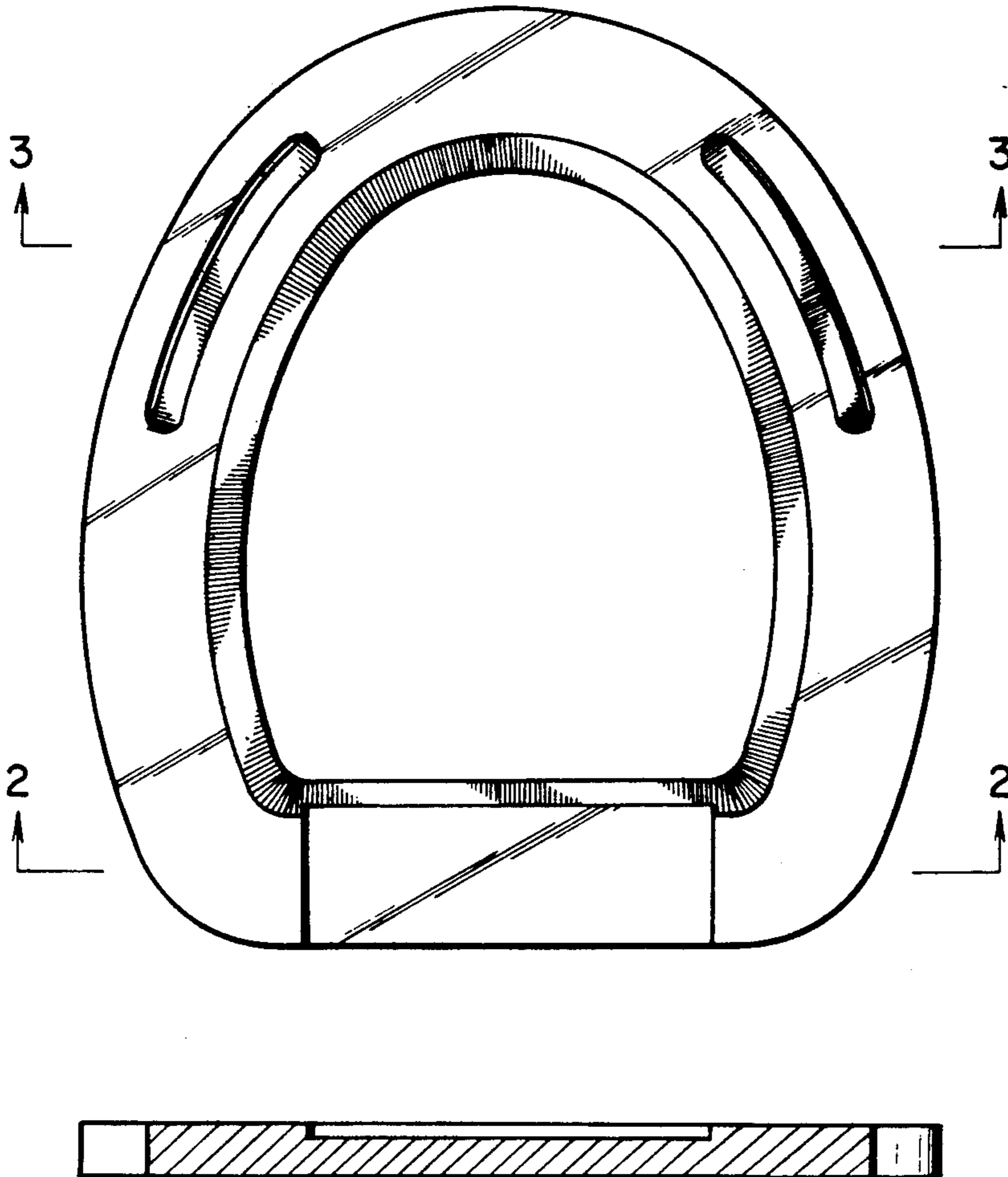
FIG. 1 is a bottom plan view of a horseshoe showing my new design; and

[52] U.S. Cl. **D30/35**

FIG. 2 is a cross-sectional view taken on the line 2-2 of FIG. 1;

[58] Field of Search 168/4, 24, 26, 28

FIG. 3 is a cross-sectional view taken on the line 3-3 of FIG. 1.



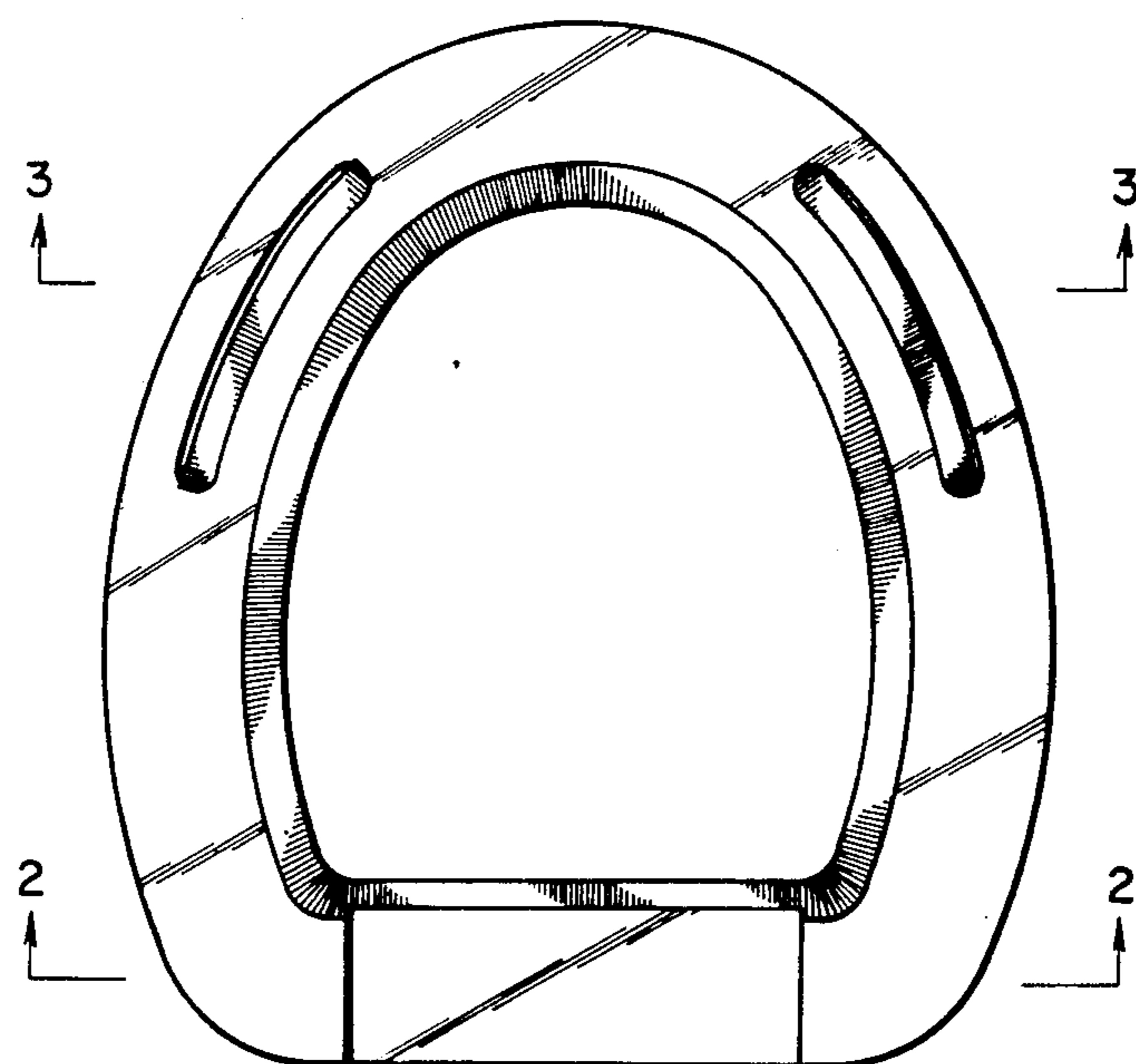


FIG. 1



FIG. 2

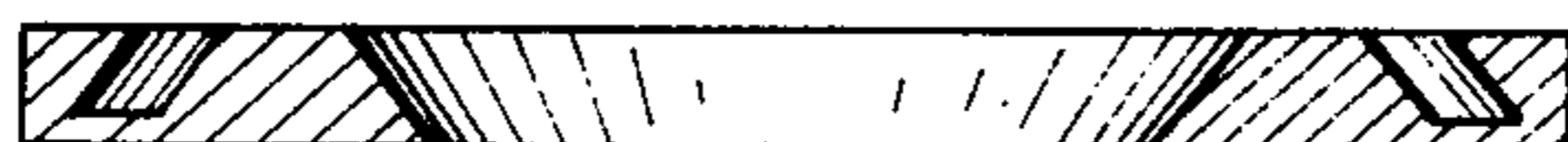


FIG. 3