

[54] TOY HELICOPTER
 [75] Inventor: Yutaka Tanaka, Saitama, Japan
 [73] Assignee: Toytown Corporation, Tokyo, Japan
 [**] Term: 14 Years
 [21] Appl. No.: 805,013
 [22] Filed: Jun. 9, 1977
 [51] Int. Cl. D21-01
 [52] U.S. Cl. D21/85
 [58] Field of Search D34/15 HH, 15 KK, 15 PP;
 46/74 R, 75, 78, 82, 83, 84, 85, 58, 53; 272/31
 D; D12/73

3,704,540 12/1972 Montagu 46/75

OTHER PUBLICATIONS

New York Times, 11-1956, p. 1, Financial Section, Helicopter.

Primary Examiner—Joel Stearman
 Assistant Examiner—Charles A. Rademaker
 Attorney, Agent, or Firm—James D. Halsey, Jr.

[57] CLAIM

The ornamental design for a toy helicopter, as shown.

DESCRIPTION

FIG. 1 is a front elevational view of the toy helicopter, embodying my new design;
 FIG. 2 is a rear elevational view thereof;
 FIG. 3 is a top plan view thereof;
 FIG. 4 is a bottom plan view thereof;
 FIG. 5 is a right side elevational view thereof;
 FIG. 6 is a left side elevational view thereof.

[56] References Cited

U.S. PATENT DOCUMENTS

2,418,269	4/1947	Lewis	46/75
3,229,414	1/1966	Bross	46/78
3,229,415	1/1966	Bross	46/78

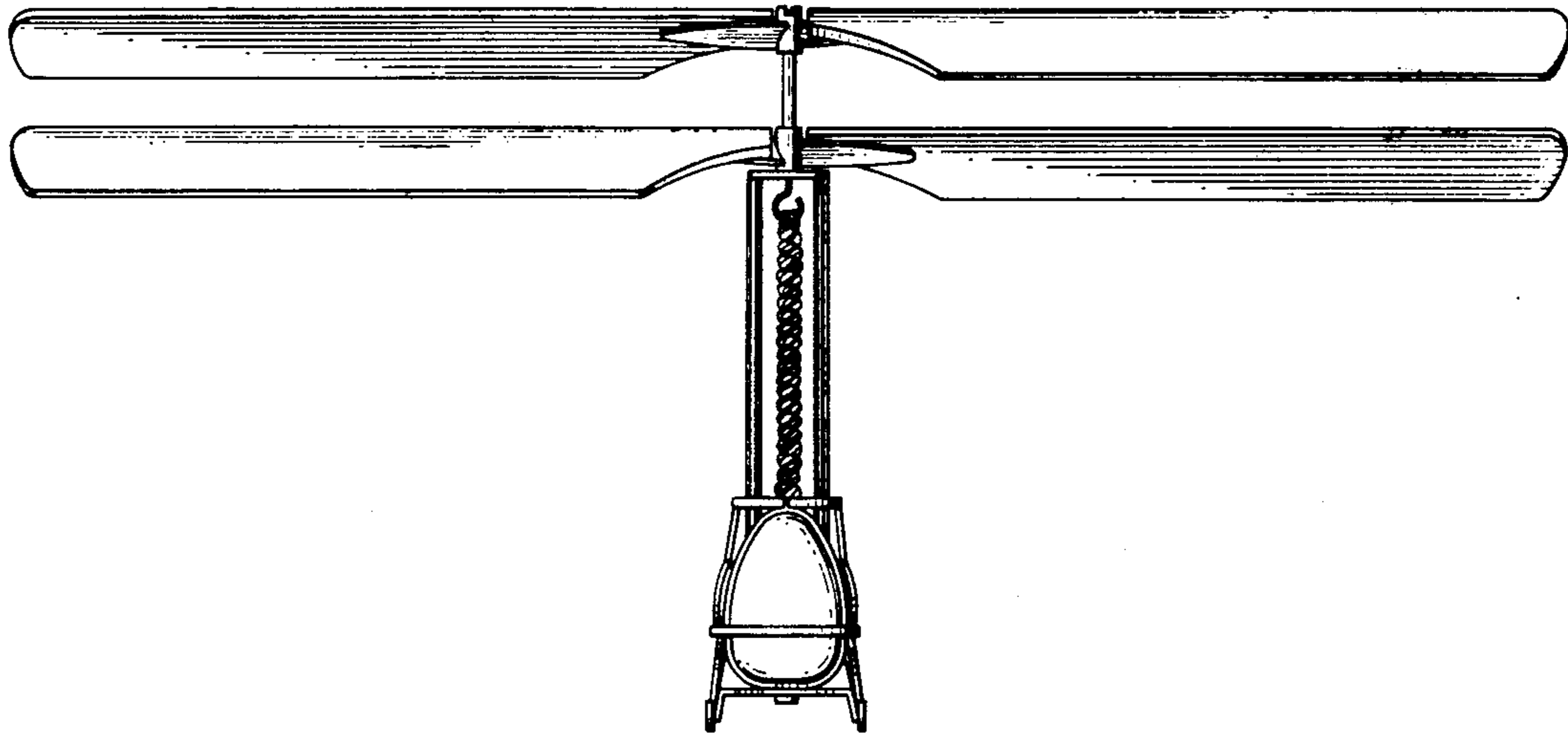


FIG. 1.

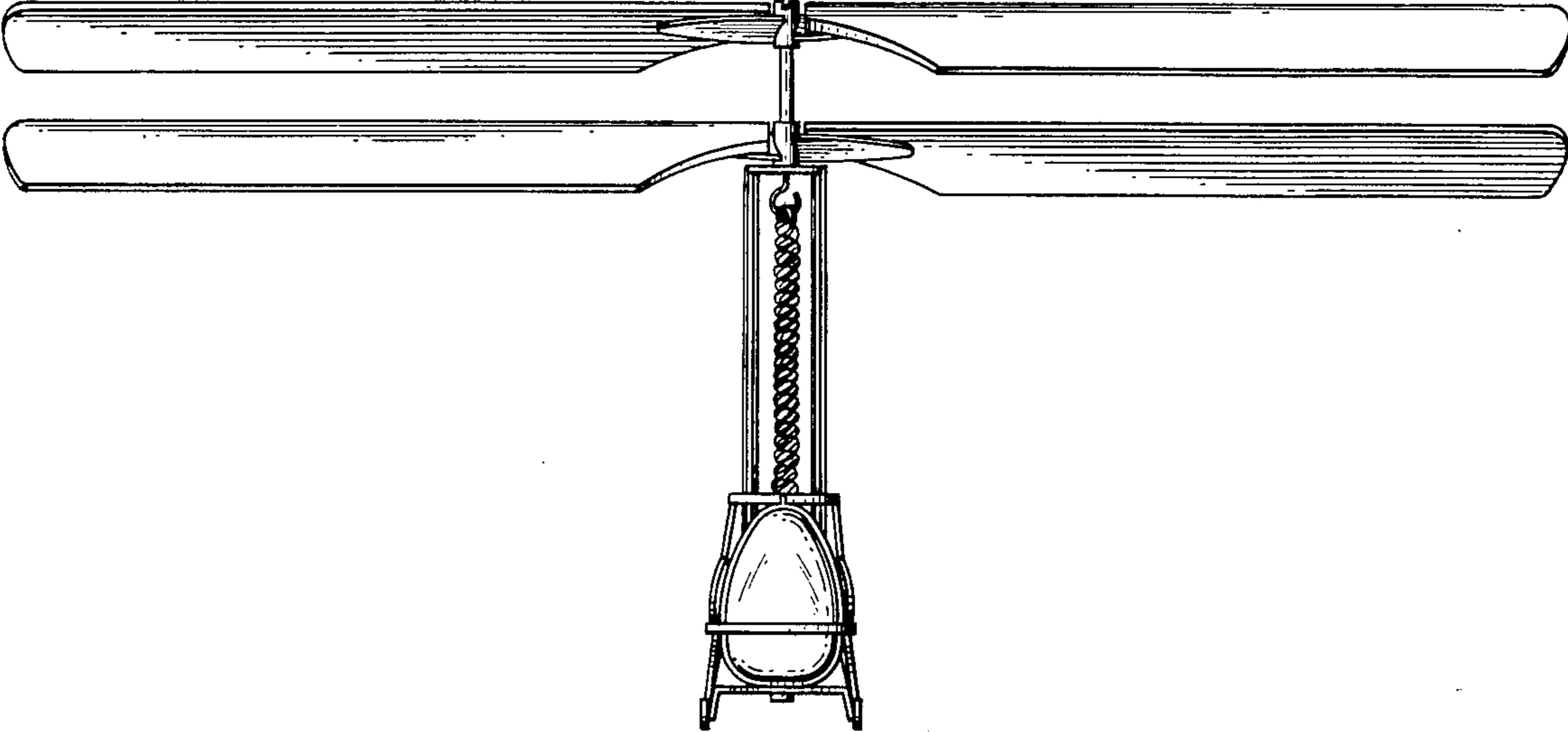


FIG. 2.

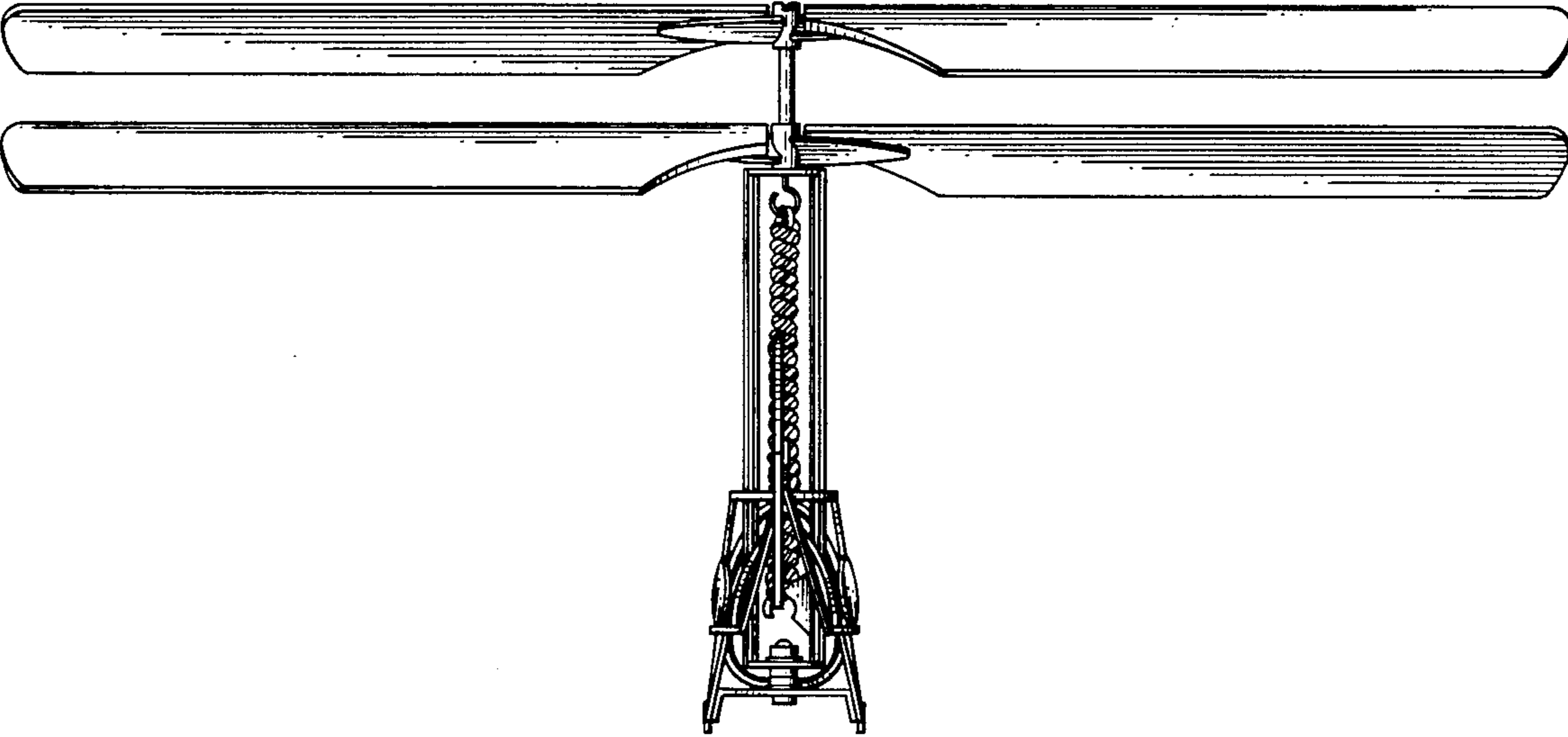


FIG. 3.

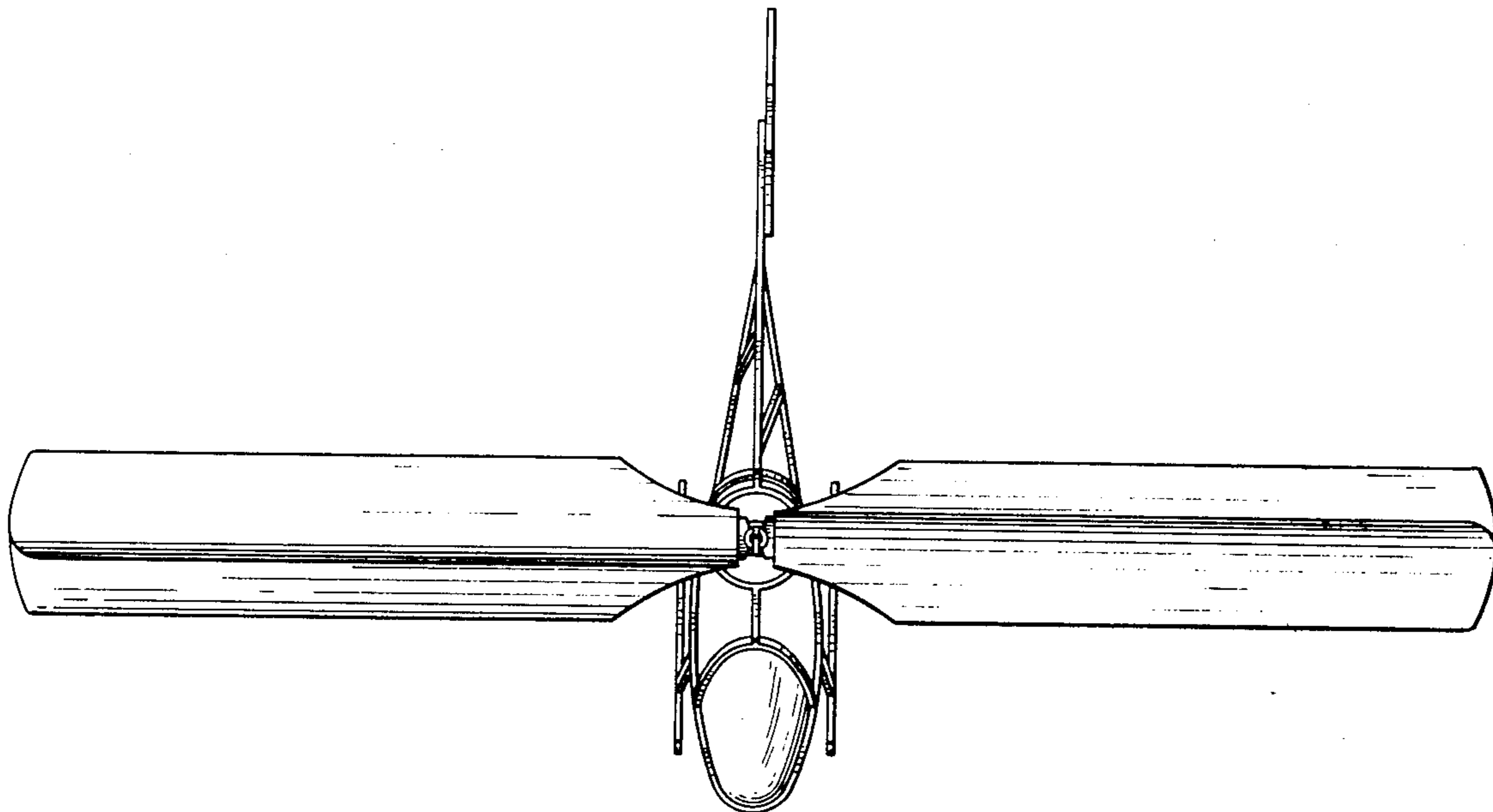


FIG. 4.

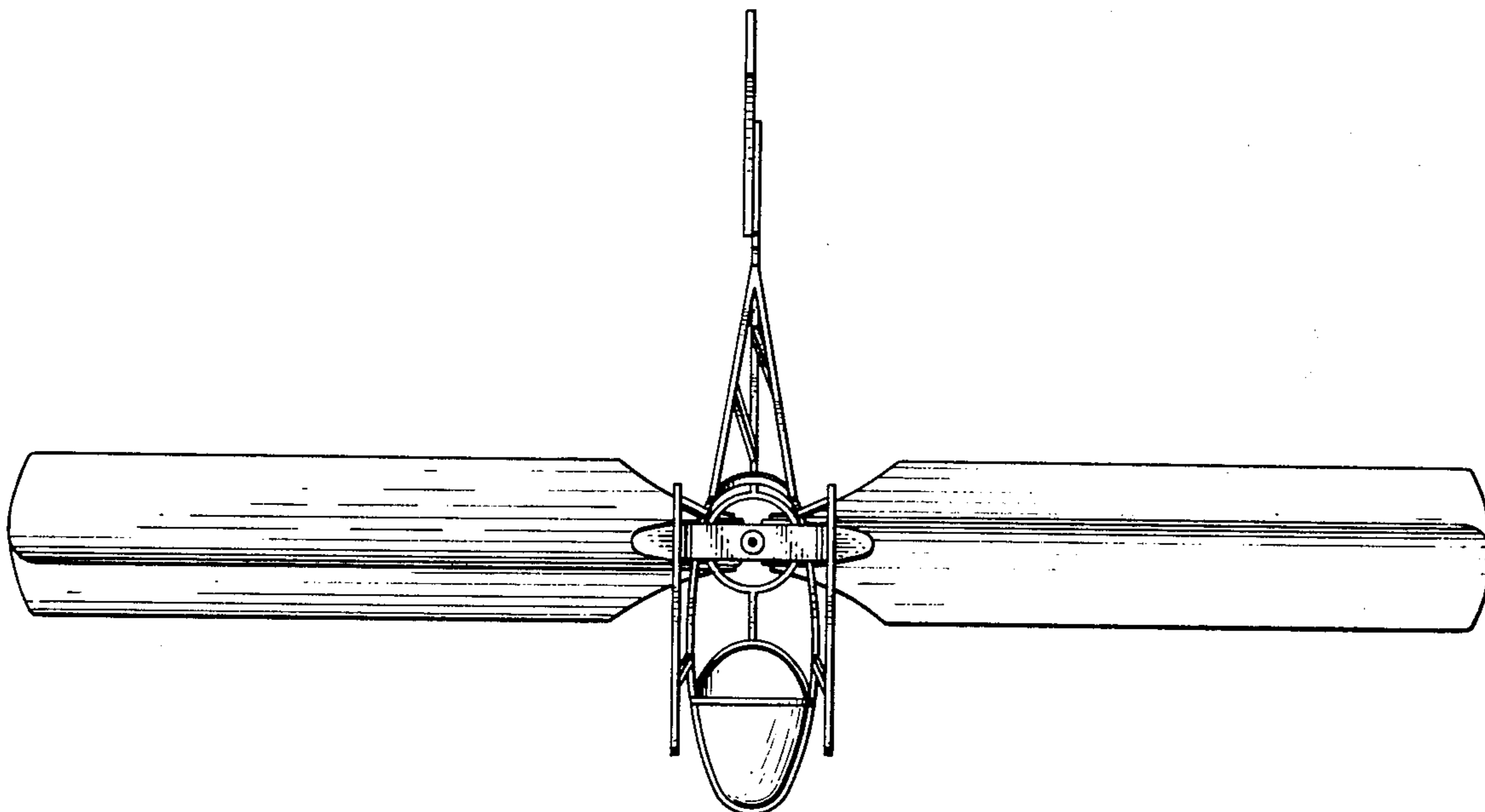


FIG. 5.

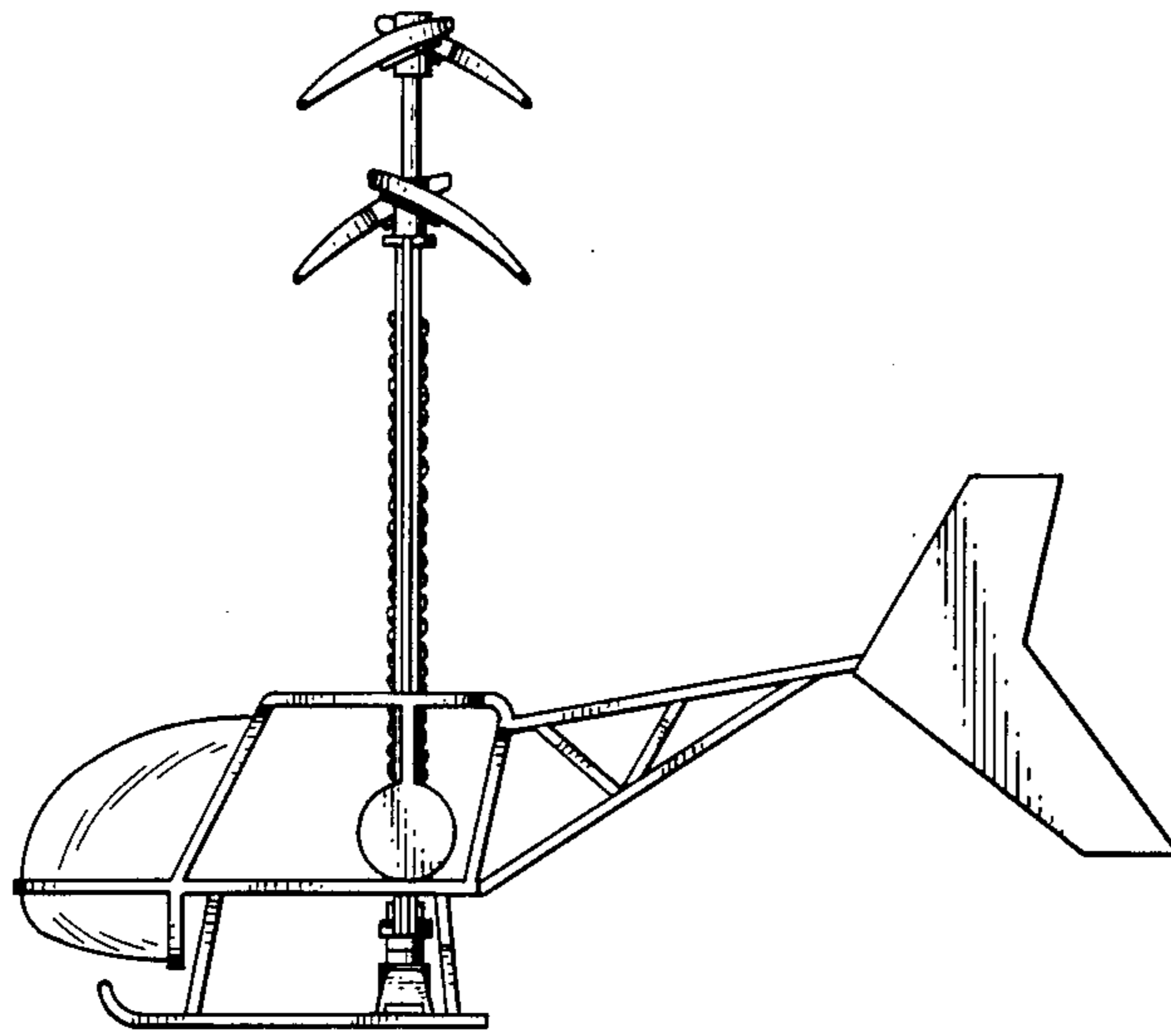


FIG. 6.

