

[54] **COMBINED CAMERA, RADIO,
BINOCULARS AND TAPE RECORDER**

[76] Inventor: **Michel Woolley**, 1440 Mountain
View Ave., Petaluma, Calif. 94952

[**] Term: **14 Years**

[21] Appl. No.: **752,809**

[22] Filed: **Dec. 20, 1976**

[51] Int. Cl. **D16-01**

[52] U.S. Cl. **D16/6; D14/5;
D14/6; D14/70; D14/72; D16/59**

[58] Field of Search **D87/5 E, 1 R, 1 D, 3 F;
150/52 J; 224/5 V; D14/5, 6, 68, 70, 72;
D16/1, 2, 6, 59, 63**

D. 217,414 4/1970 Lang et al. D87/5 E
D. 228,808 10/1973 Swayze D16/6
D. 236,009 7/1975 Hattori D14/6
2,780,263 2/1957 Blumberg 150/52 J
3,927,809 12/1975 Klein, Sr. D87/1 D

Primary Examiner—Melvin B. Feifer
Assistant Examiner—George P. Word
Attorney, Agent, or Firm—Emory L. Groff, Jr.

[57] **CLAIM**

The ornamental design for a combined camera, radio, binoculars and tape recorder, substantially as shown.

DESCRIPTION

FIG. 1 is a top perspective view of the combined camera, radio, binoculars and tape recorder embodying my new design.

FIG. 2 is a right end elevational view;

FIG. 3 is a rear elevational view;

FIG. 4 is a bottom plan view; and

FIG. 5 is a front elevational view.

[56] **References Cited**
U.S. PATENT DOCUMENTS

D. 206,462 12/1966 Petrussek D14/72
D. 210,058 1/1968 Lang et al. D87/5 E

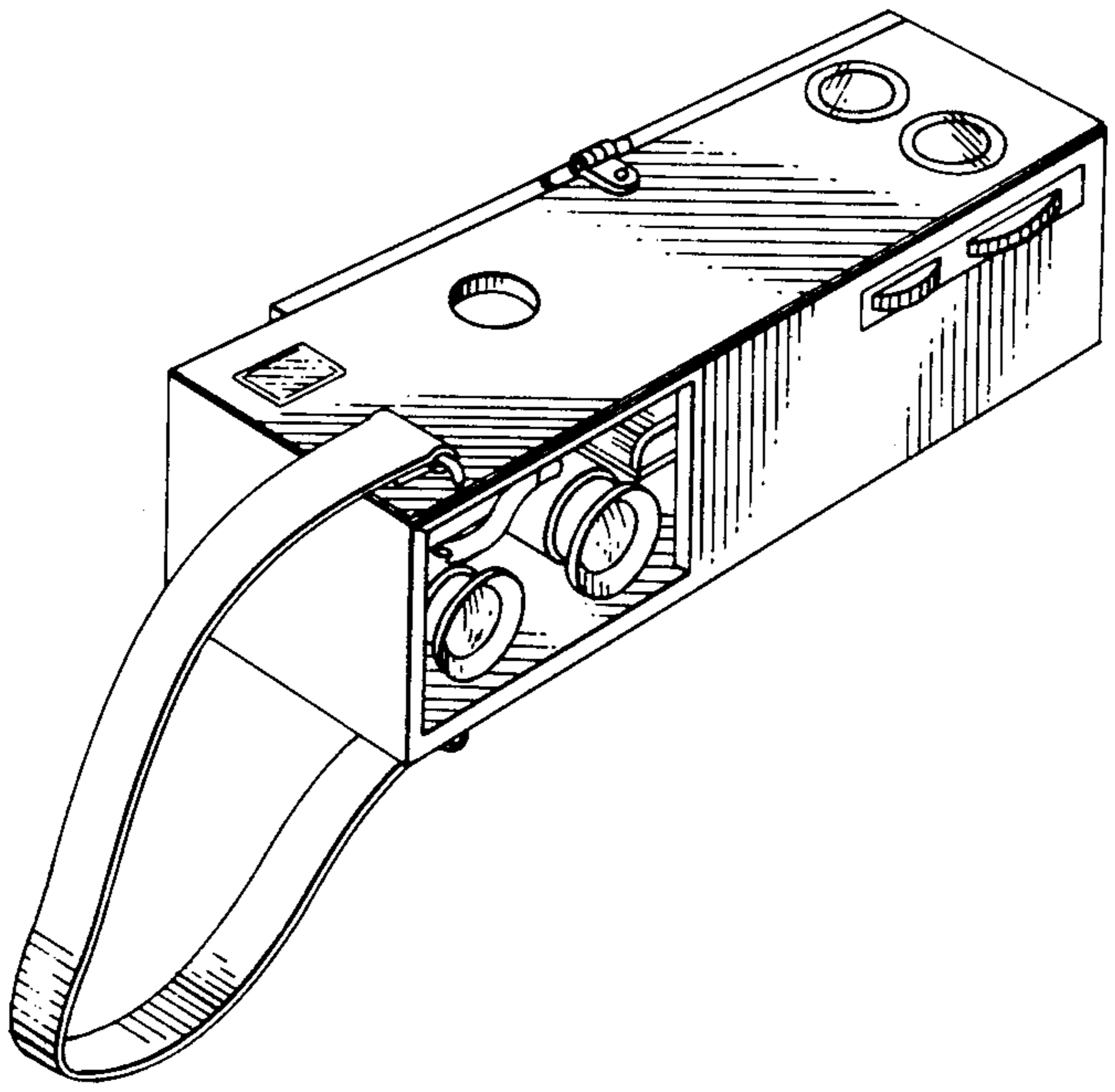


FIG. 1.

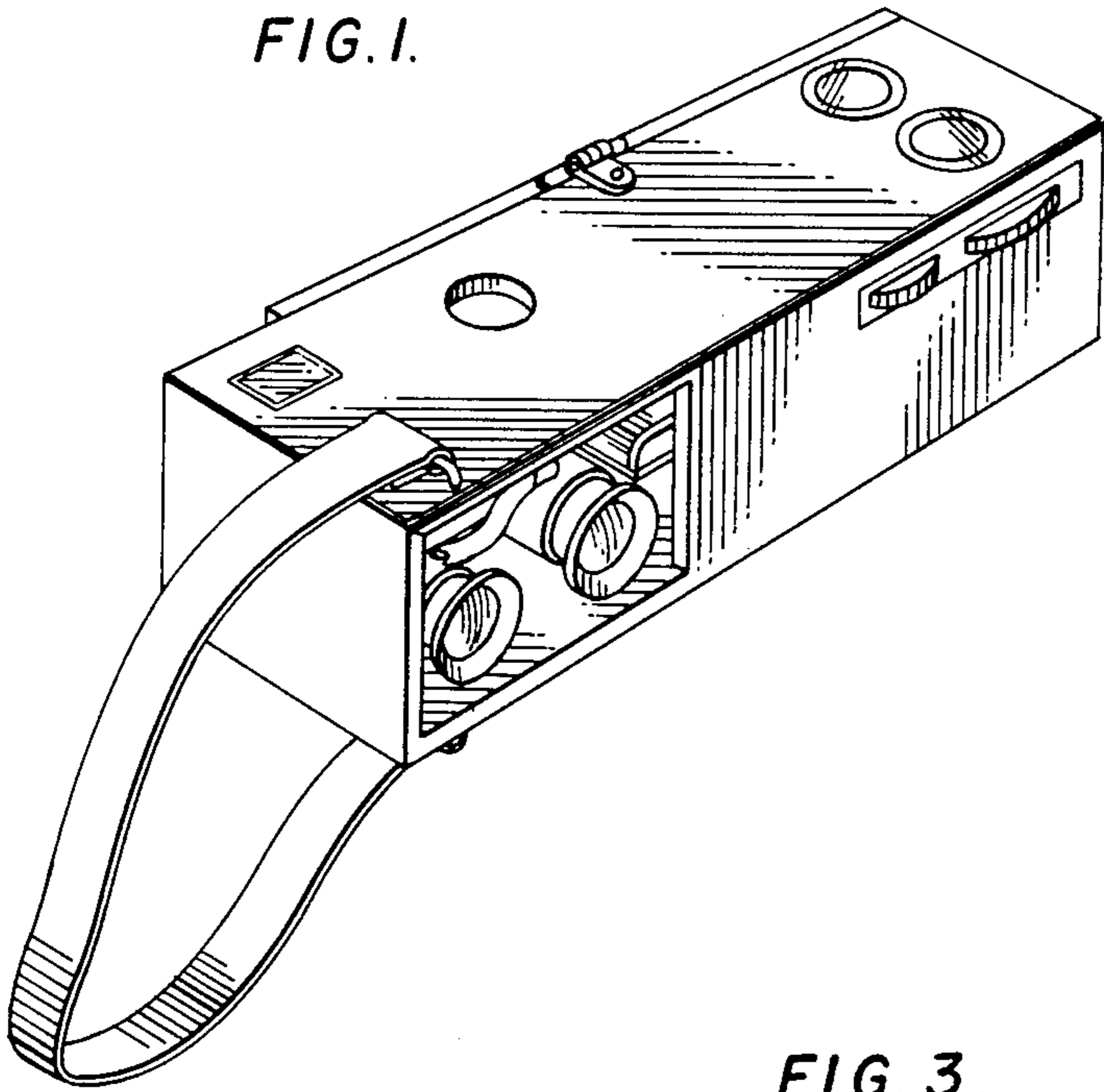


FIG. 2.

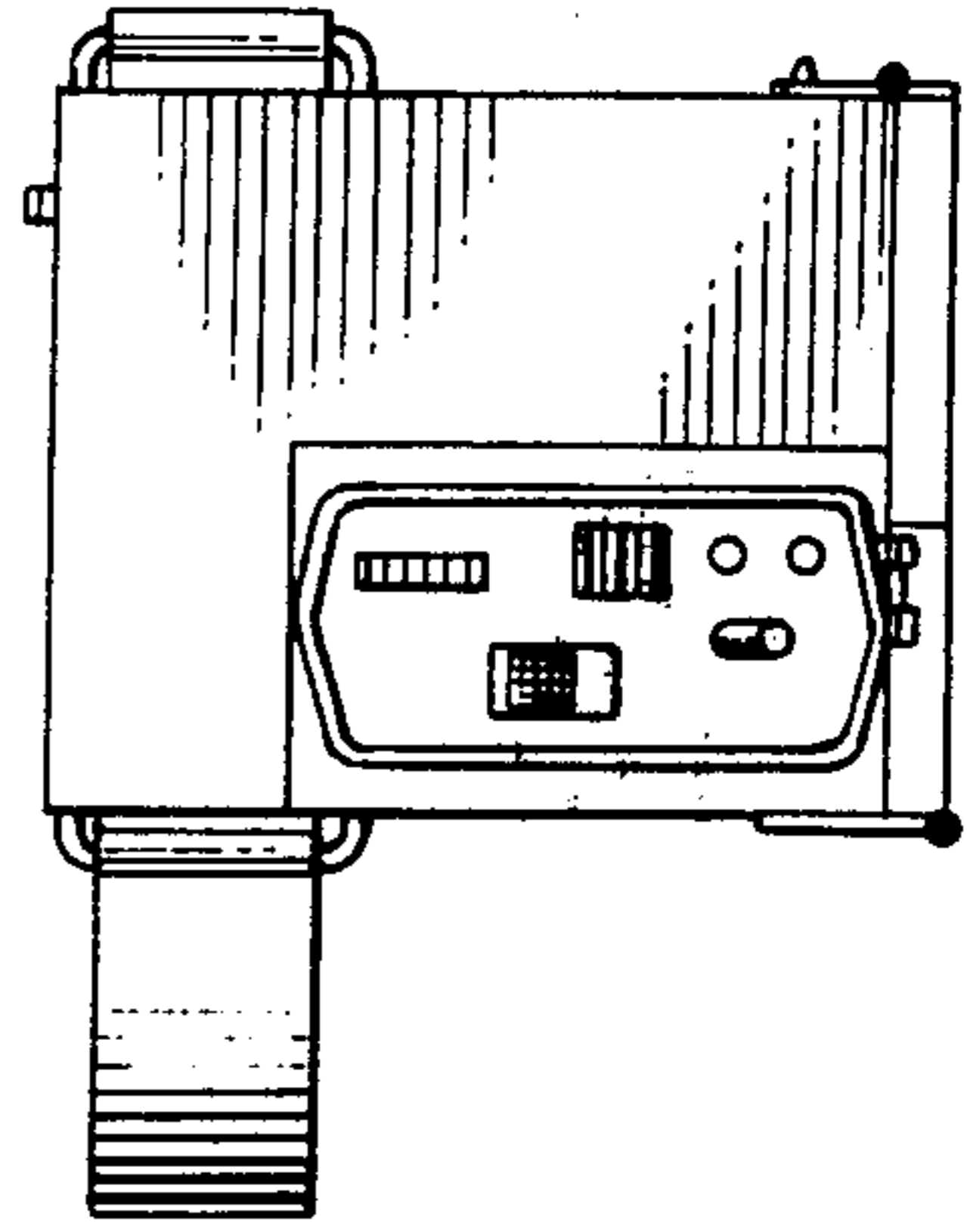


FIG. 3.

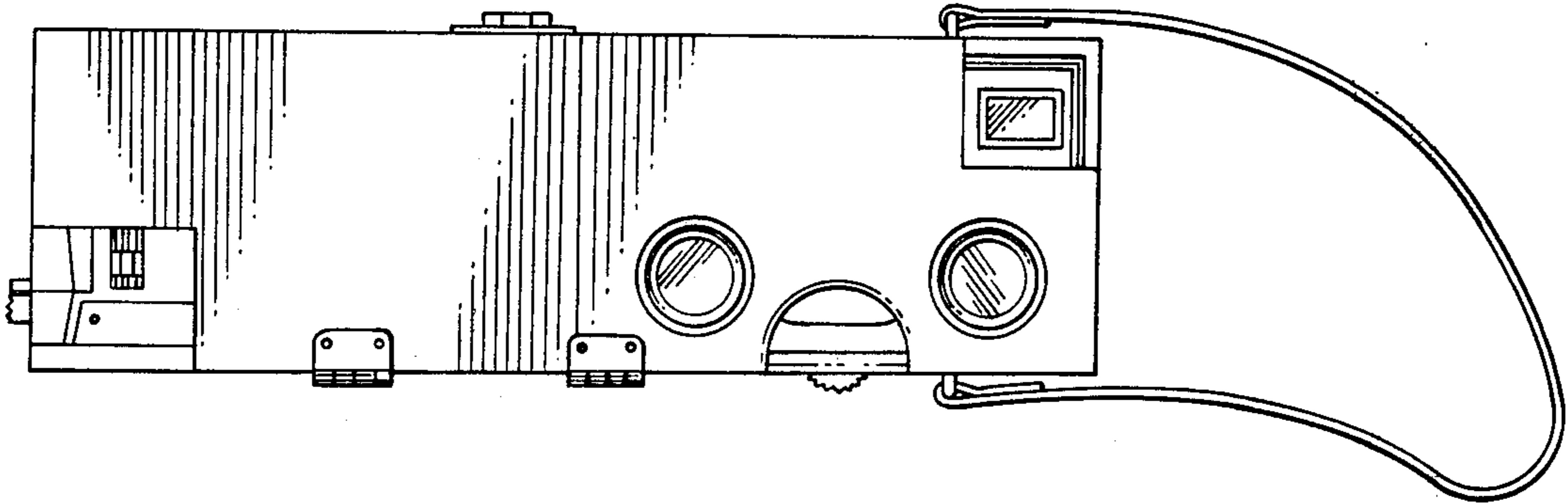


FIG. 4.

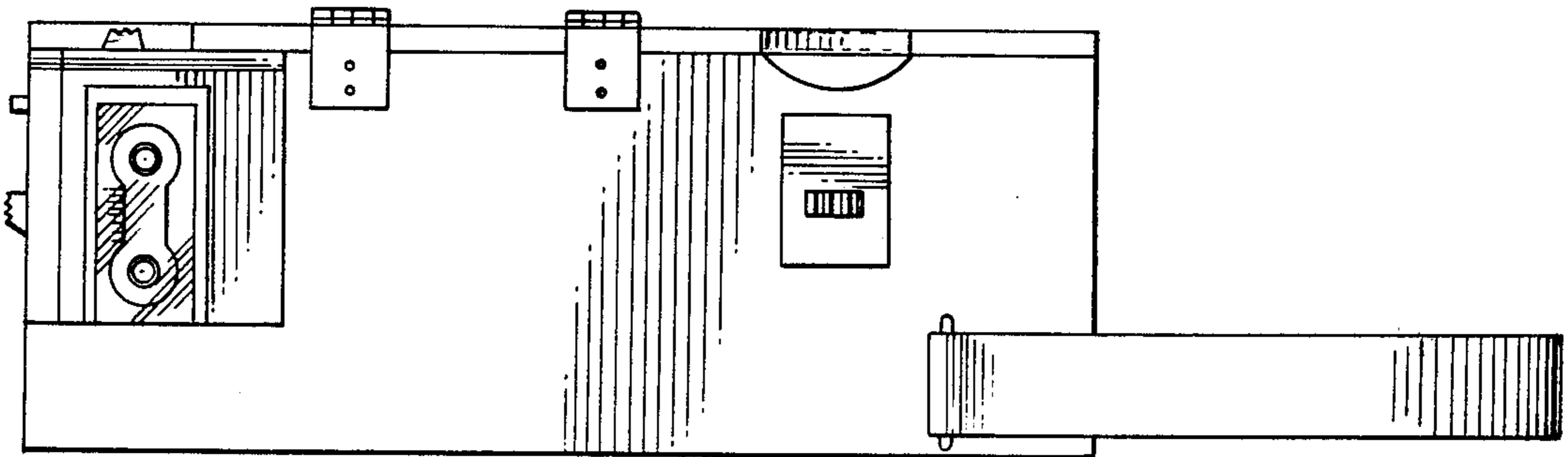


FIG. 5.

