

[54] COMBINED WORK HOLDER AND DRILLING TEMPLATE

[76] Inventor: Albert F. Tiedemann, Jr., Masemore Rd., Parkton, Md. 21120

[**] Term: 14 Years

[21] Appl. No.: 862,142

[22] Filed: Dec. 19, 1977

[51] Int. Cl. D15-09

[52] U.S. Cl. D15/140; D10/64; D8/71

[58] Field of Search D8/71 R, 72; D10/64, D10/46; 33/174 G; D15/132, 140; 269/87.3, 92, 111-116, 218, 254 CS; 74/469; 408/241 R, 241 G, 241 B

[56] References Cited

U.S. PATENT DOCUMENTS

D. 160,734 10/1950 Polkosnik D15/140

D. 191,911	12/1961	Steinbraker	D15/140
D. 208,819	10/1967	Stone	D15/140
2,464,375	3/1949	Clark	269/111 X
2,995,357	8/1961	Dennis	269/218 X
3,301,548	1/1967	Rathbun	269/92
3,590,458	7/1971	Day	269/112 X
3,778,048	12/1973	Szohatsky	269/218 X

Primary Examiner—Nelson C. Holtje
Attorney, Agent, or Firm—John F. McClellan, Sr.

[57] CLAIM

The ornamental design for a combined work holder and drilling template, substantially as shown and described.

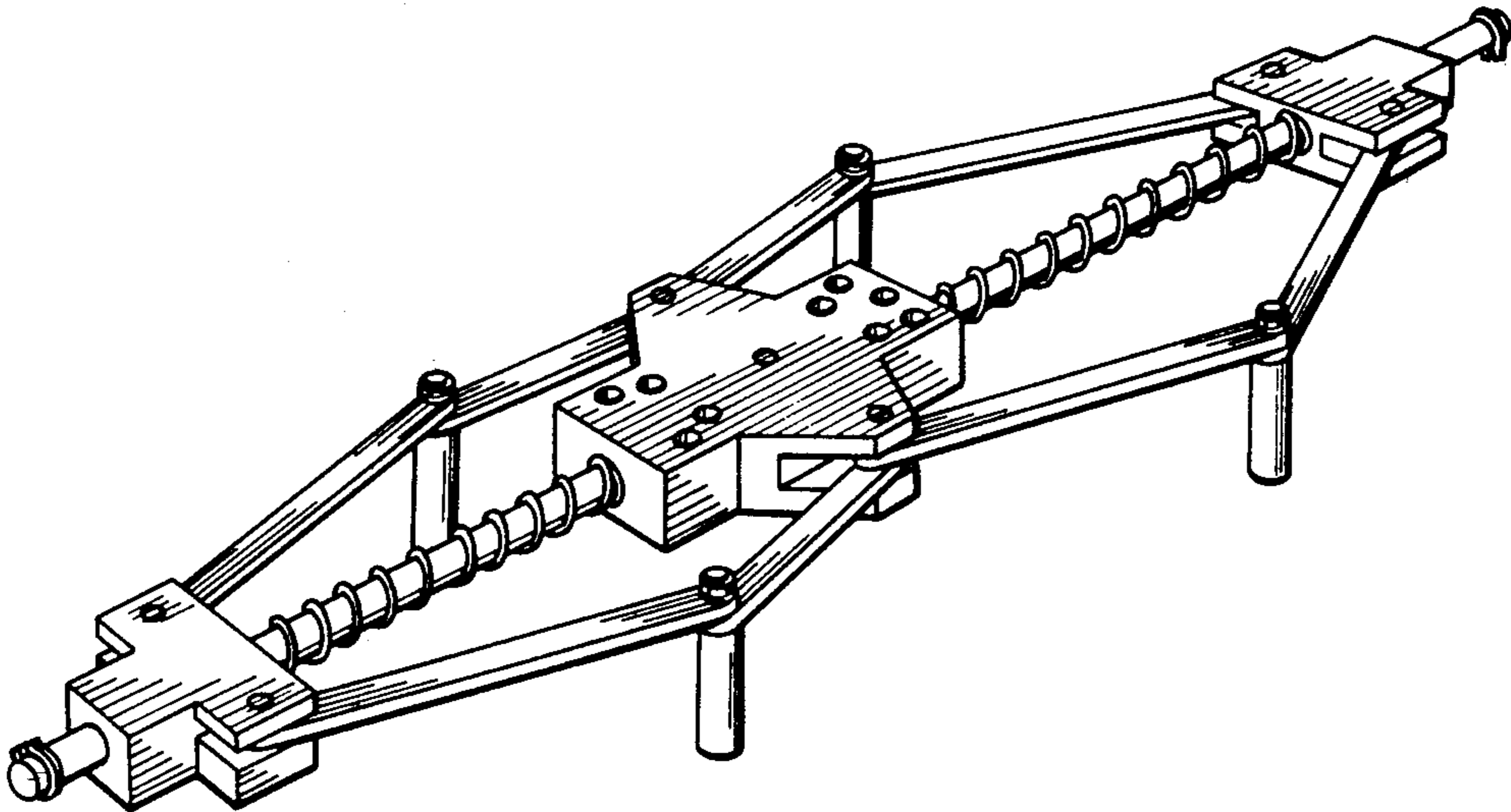
DESCRIPTION

FIG. 1 is a top front perspective view of a combined work holder and drilling template showing my new design;

FIG. 2 is a top plan view thereof in the fully extended position;

FIG. 3 is a rear elevational view thereof;

FIG. 4 is an end elevational view thereof.



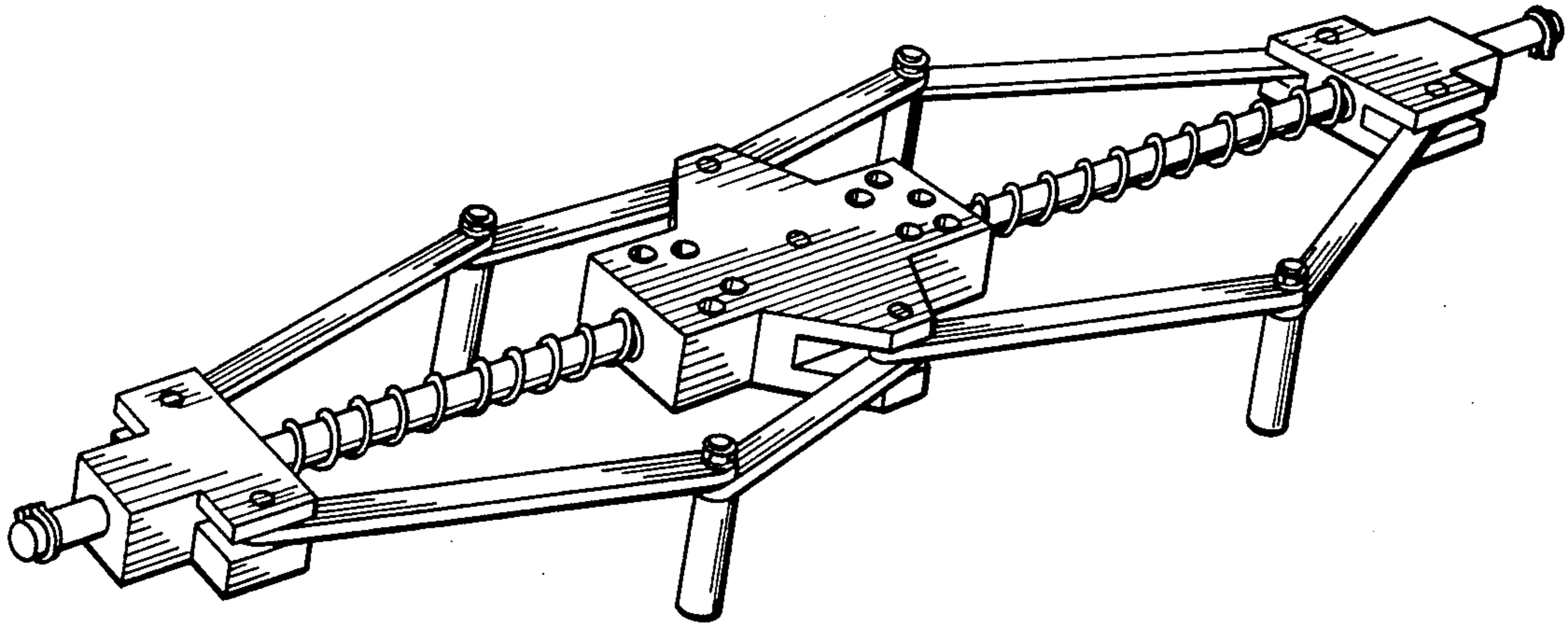


FIG. 1

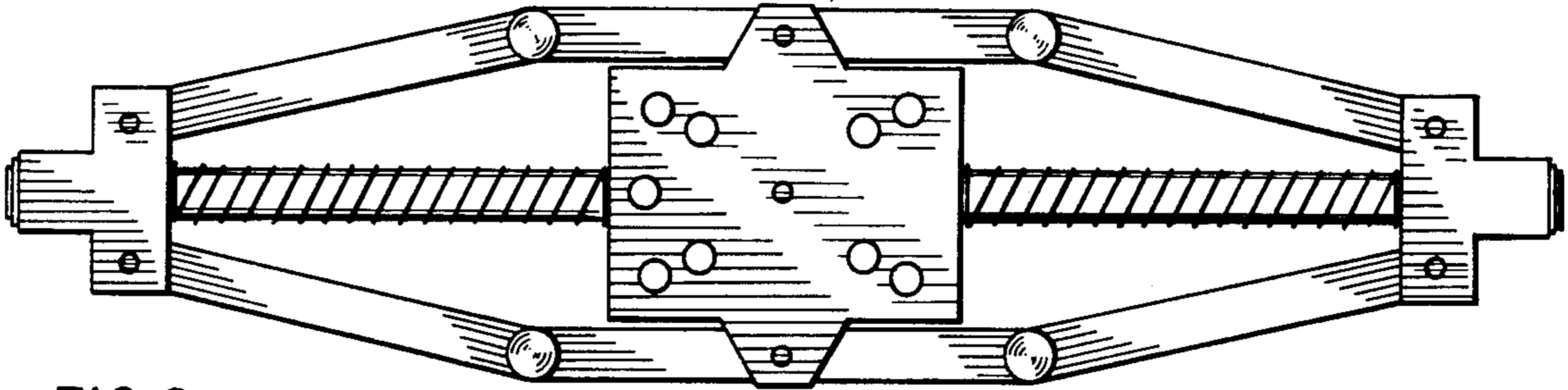


FIG. 2

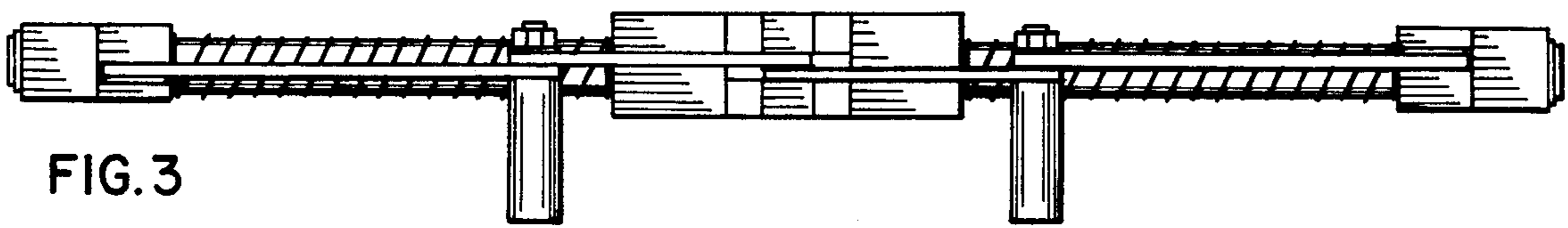


FIG. 3

FIG. 4

