

[54] FENDER

[76] Inventor: David K. Barker, 13170 Reeder St., Alliance, Ohio 44601

[\*\*] Term: 14 Years

[21] Appl. No.: 892,220

[22] Filed: Mar. 31, 1978

[51] Int. Cl. .... D12-16

[52] U.S. Cl. .... D12/184

[58] Field of Search ..... D12/184, 185, 181; 280/154.5 R, 152 R; 298/15 G

[56]

References Cited

U.S. PATENT DOCUMENTS

2,721,760 10/1955 Lapham et al. .... 280/154.5 R  
2,940,773 6/1960 Eaves ..... 280/154.5 R

Primary Examiner—James M. Gandy

Attorney, Agent, or Firm—Robert S. Swecker

[57]

CLAIM

The ornamental design for a fender, as shown and described.

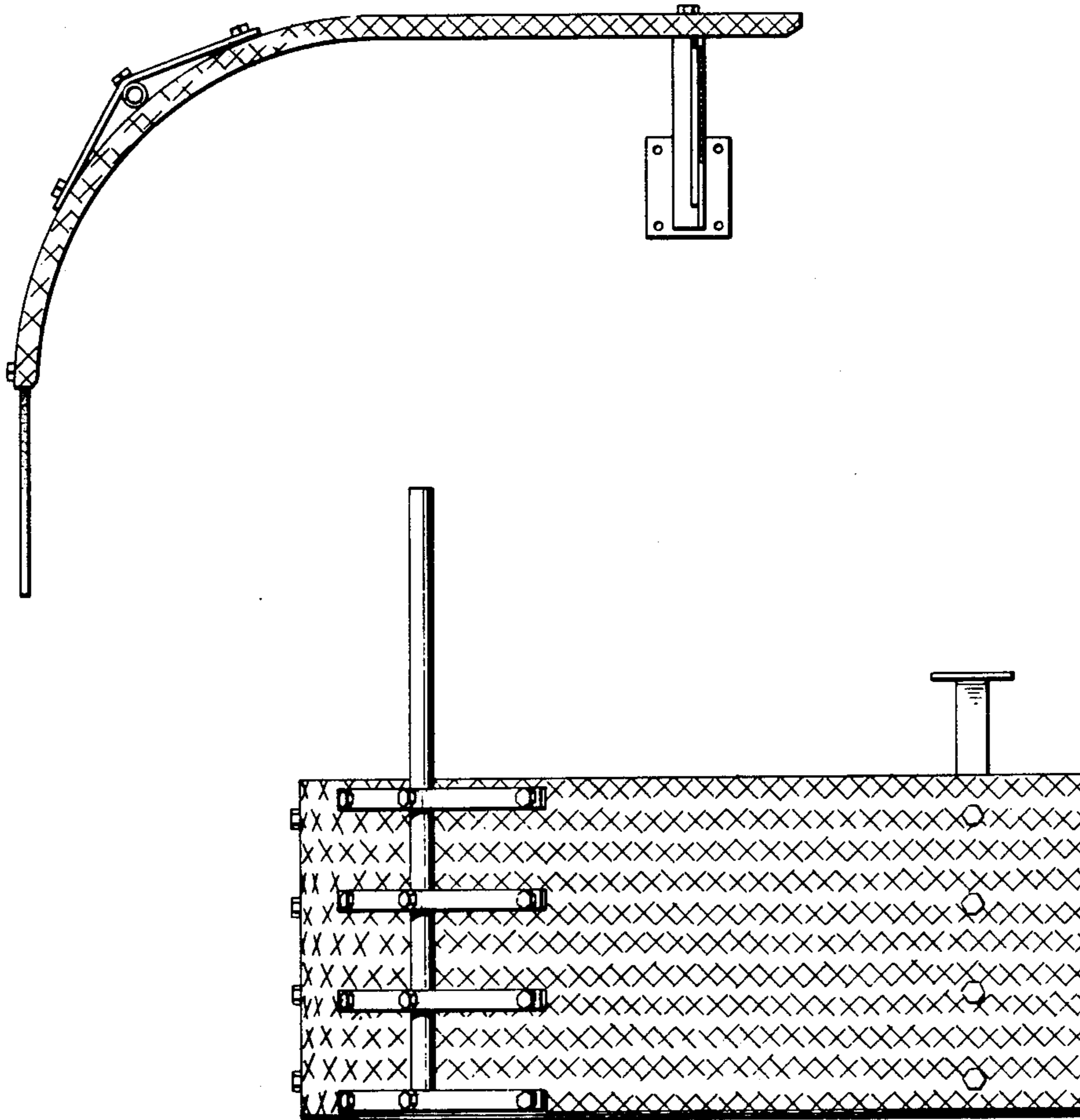
DESCRIPTION

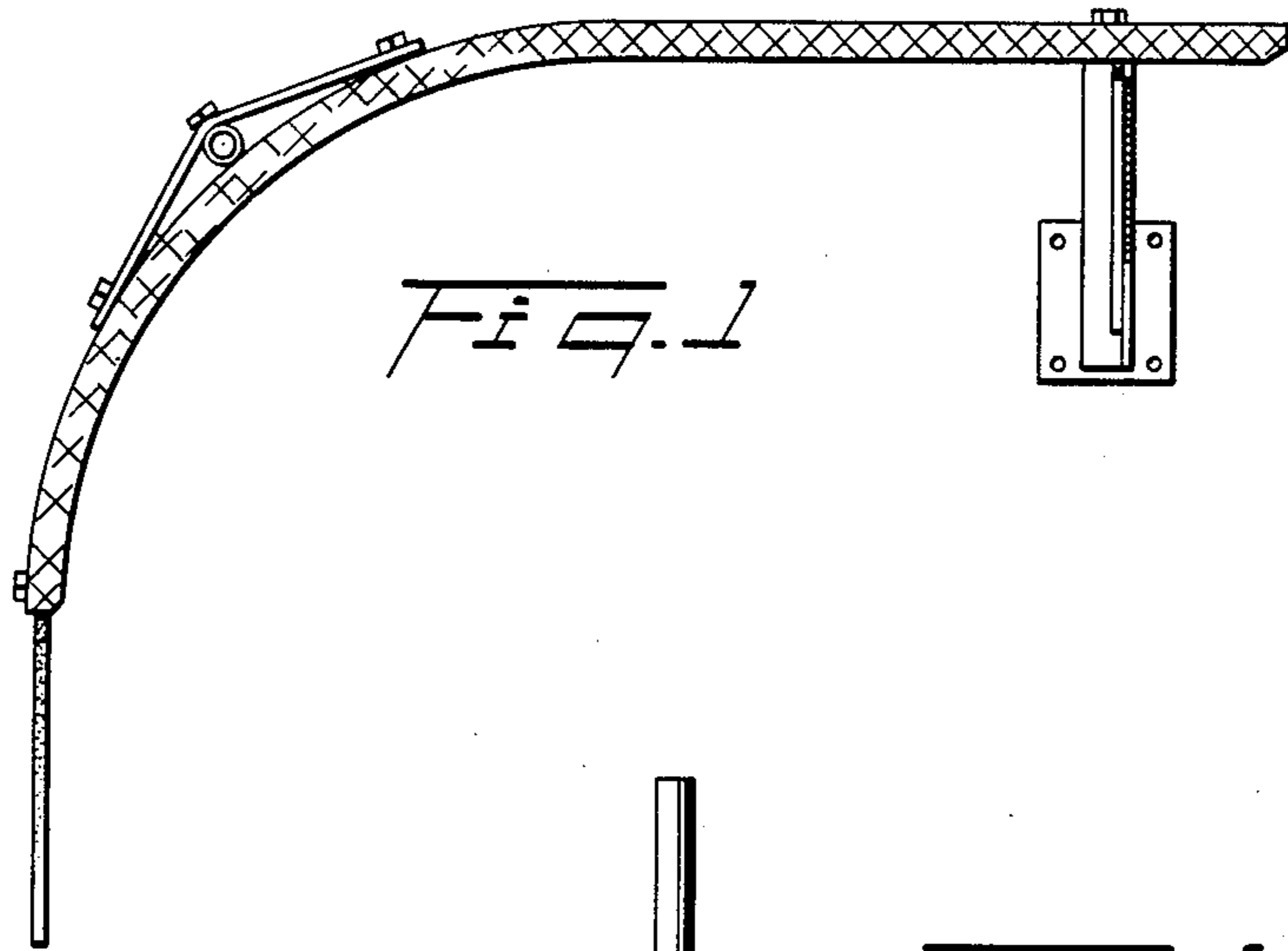
FIG. 1 is a side elevational view of a fender showing my new design;

FIG. 2 is a top plan view thereof;

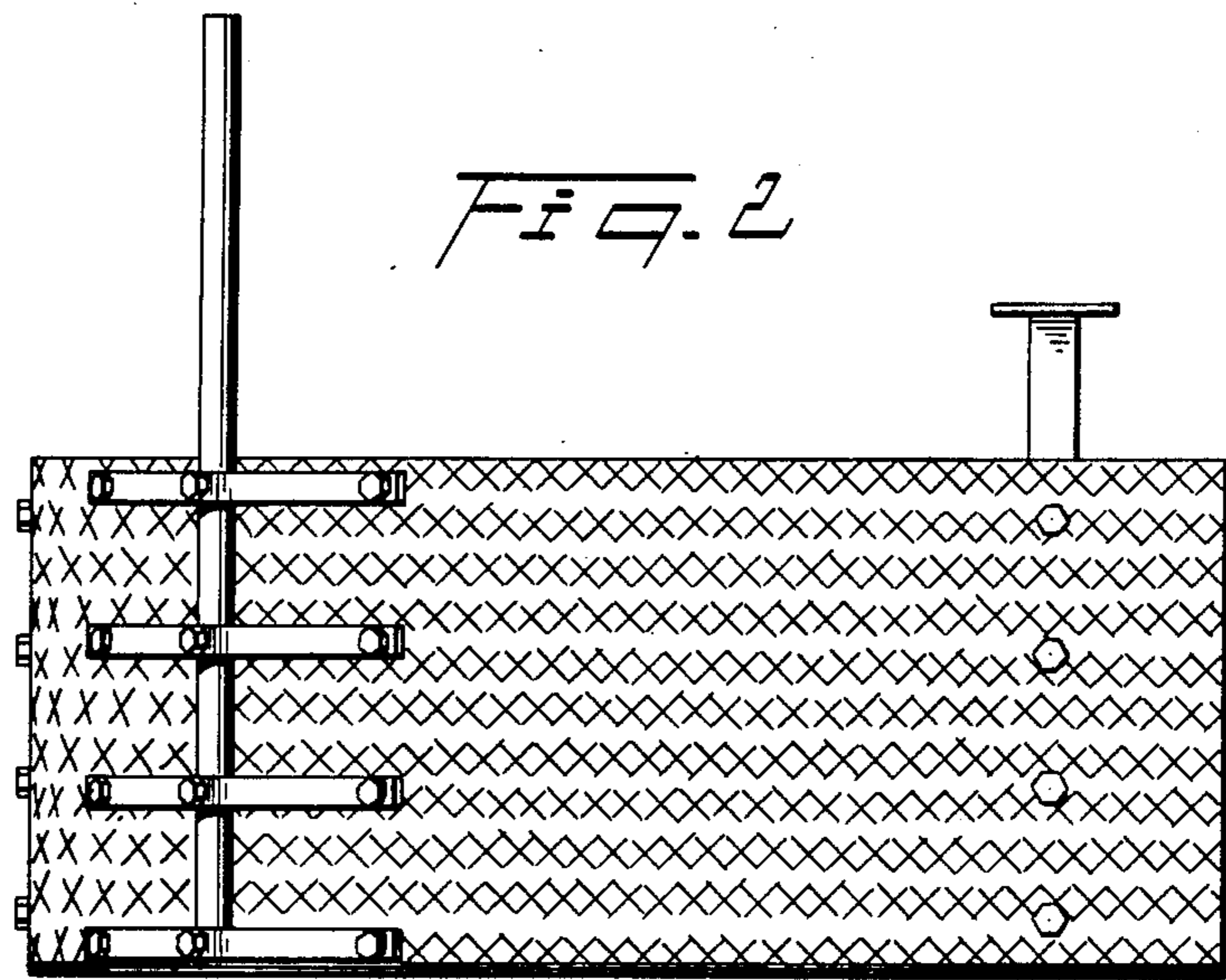
FIG. 3 is a rear elevational view thereof; and

FIG. 4 is a front elevational view thereof.



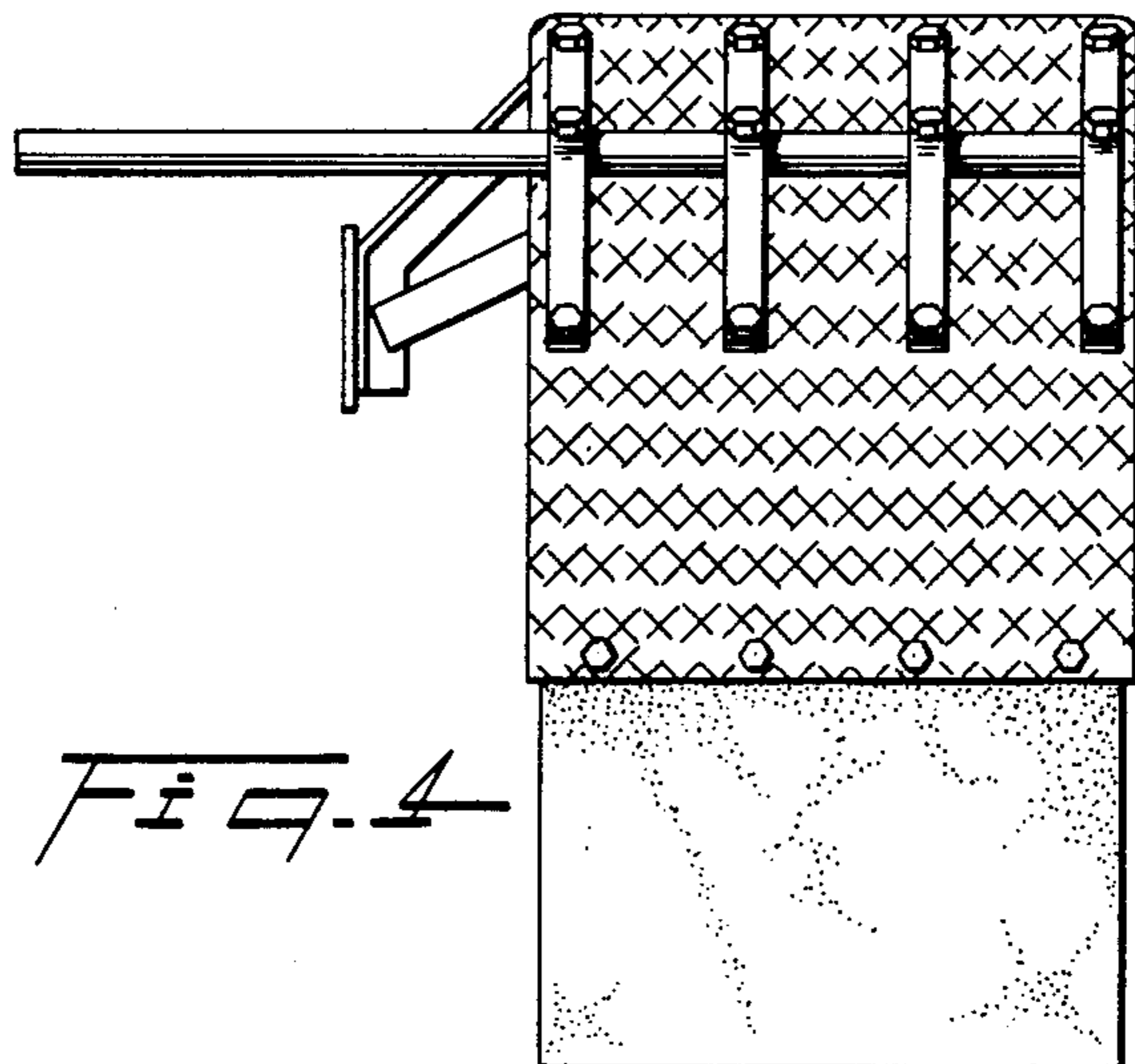
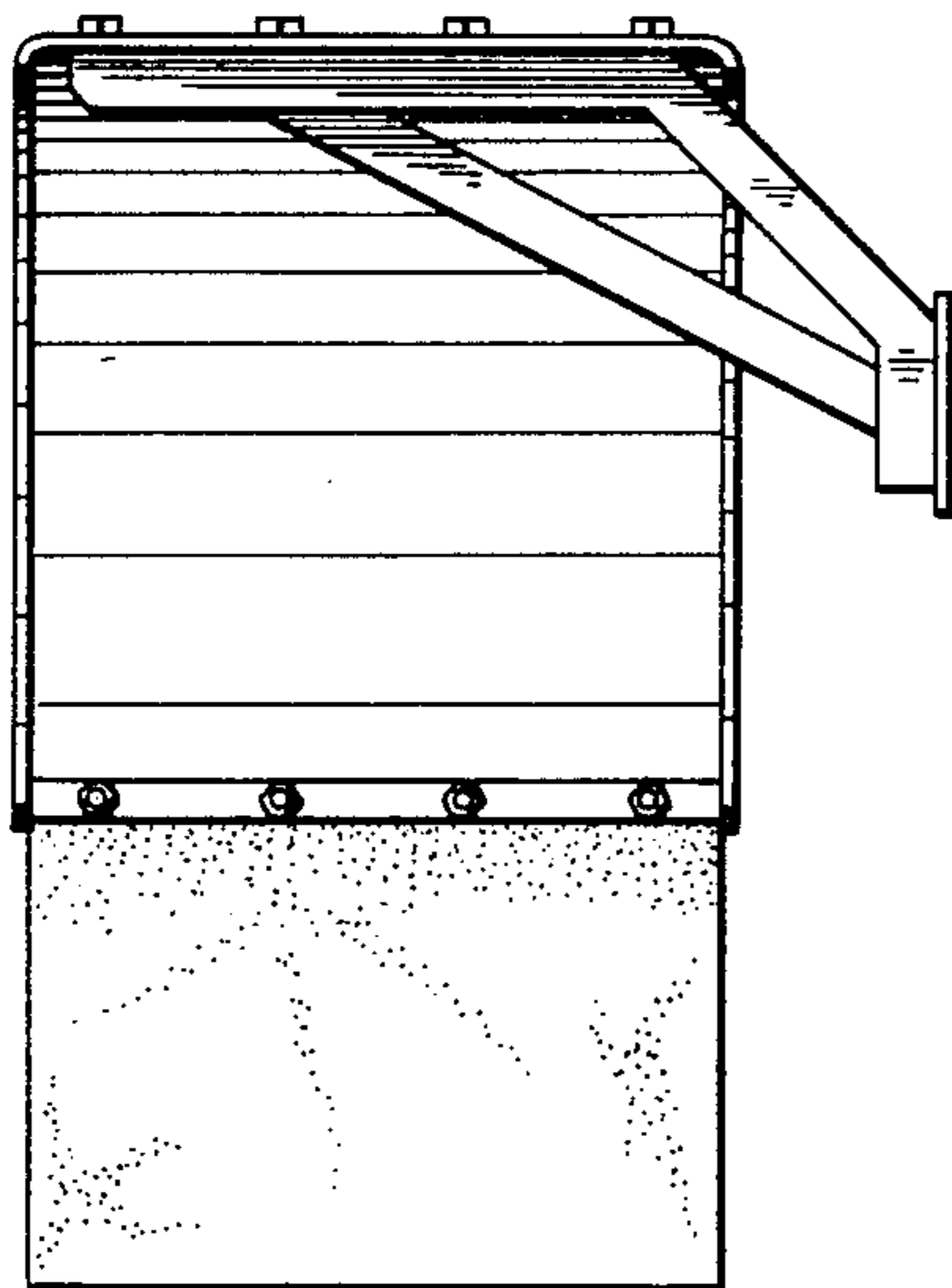


*Fig. 1*



*Fig. 2*

*Fig. 3*



*Fig. 4*