

[54] STRINGLINE BRACKET

[75] Inventors: Sherwood M. Hanson, Sandwich; Martin F. Dohnalik; Fred D. Foster, both of De Kalb, all of Ill.

[73] Assignee: Barber-Greene Company, Aurora, Ill.

[**] Term: 14 Years

[21] Appl. No.: 795,272

[22] Filed: May 9, 1977

[51] Int. Cl. D8-08

[52] U.S. Cl. D8/396; D8/356

[58] Field of Search 43/54.5 R, 54.5 A, 24; D8/354, 355, 356, 363, 367, 395, 396; 403/218, 217, 219, 385

[56] References Cited

U.S. PATENT DOCUMENTS

2,909,381	10/1959	Bates	403/385
3,065,981	11/1962	Arrison	403/385
3,195,938	7/1965	Rifken	403/218

Primary Examiner—A. Hugo Word
Attorney, Agent, or Firm—Dugald S. McDougall

[57] CLAIM

The ornamental design for a stringline bracket, as shown and described.

DESCRIPTION

FIG. 1 is an isometric view of a stringline bracket embodying our new design, the parts shown in phantom lines being for reference purposes only and forming no part of our design; FIG. 2 is an enlarged front elevational view thereof; FIG. 3 is a rear elevational view thereof; FIG. 4 is a side elevational view thereof (the side not shown being the same as the side shown in this figure); FIG. 5 is a top plan view; and FIG. 6 is a bottom plan view thereof.

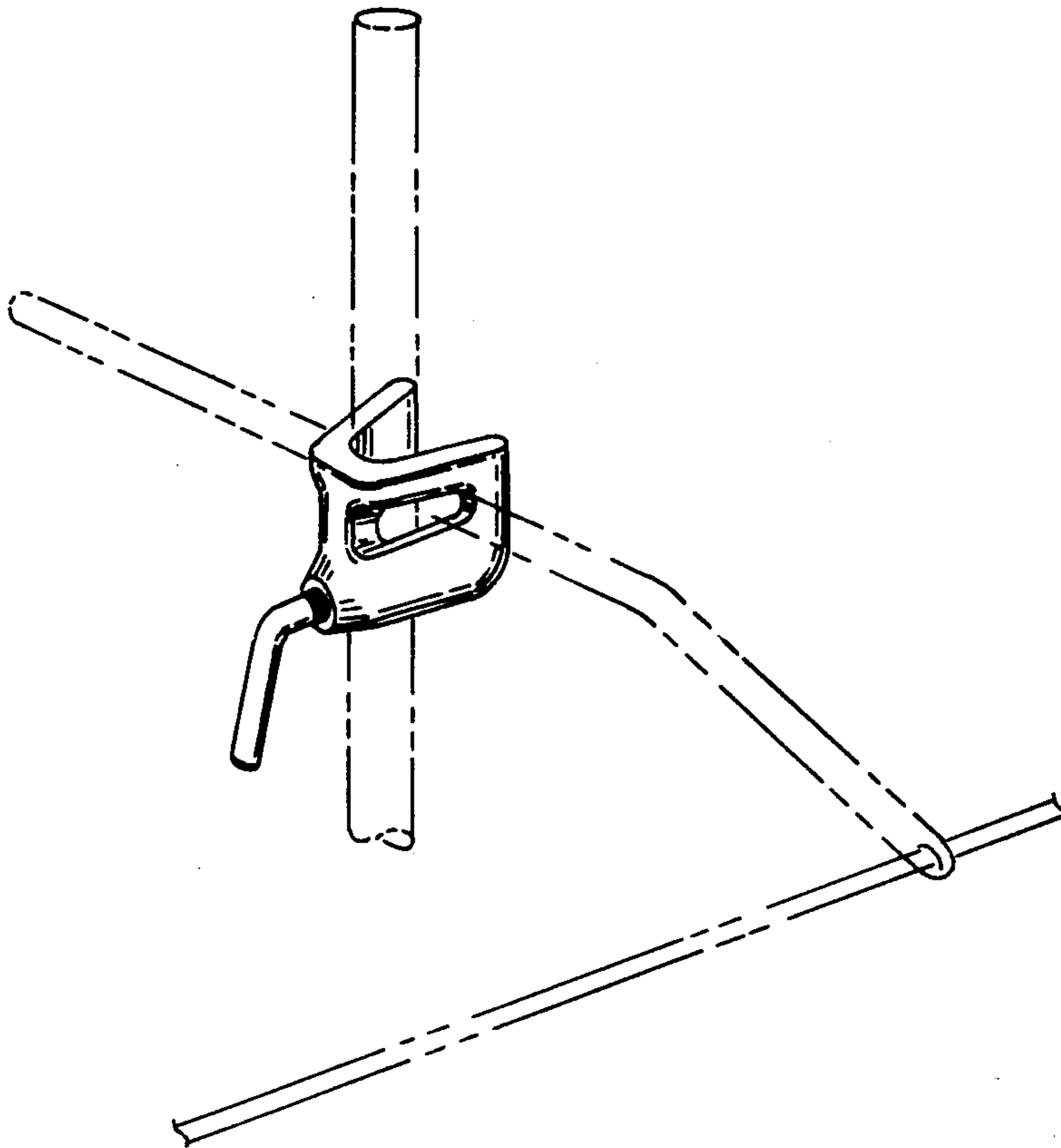


FIG. 1

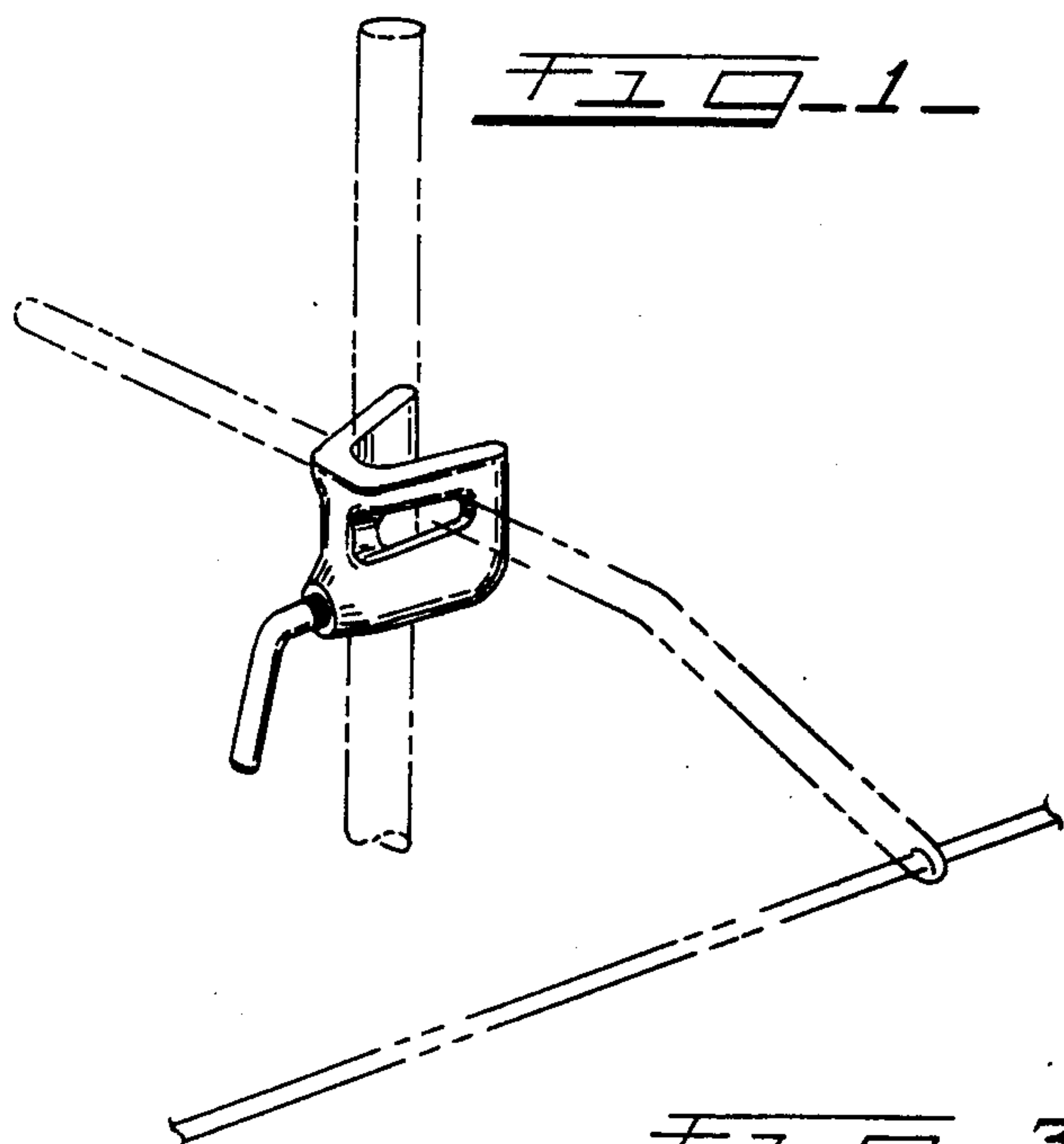


FIG. 2

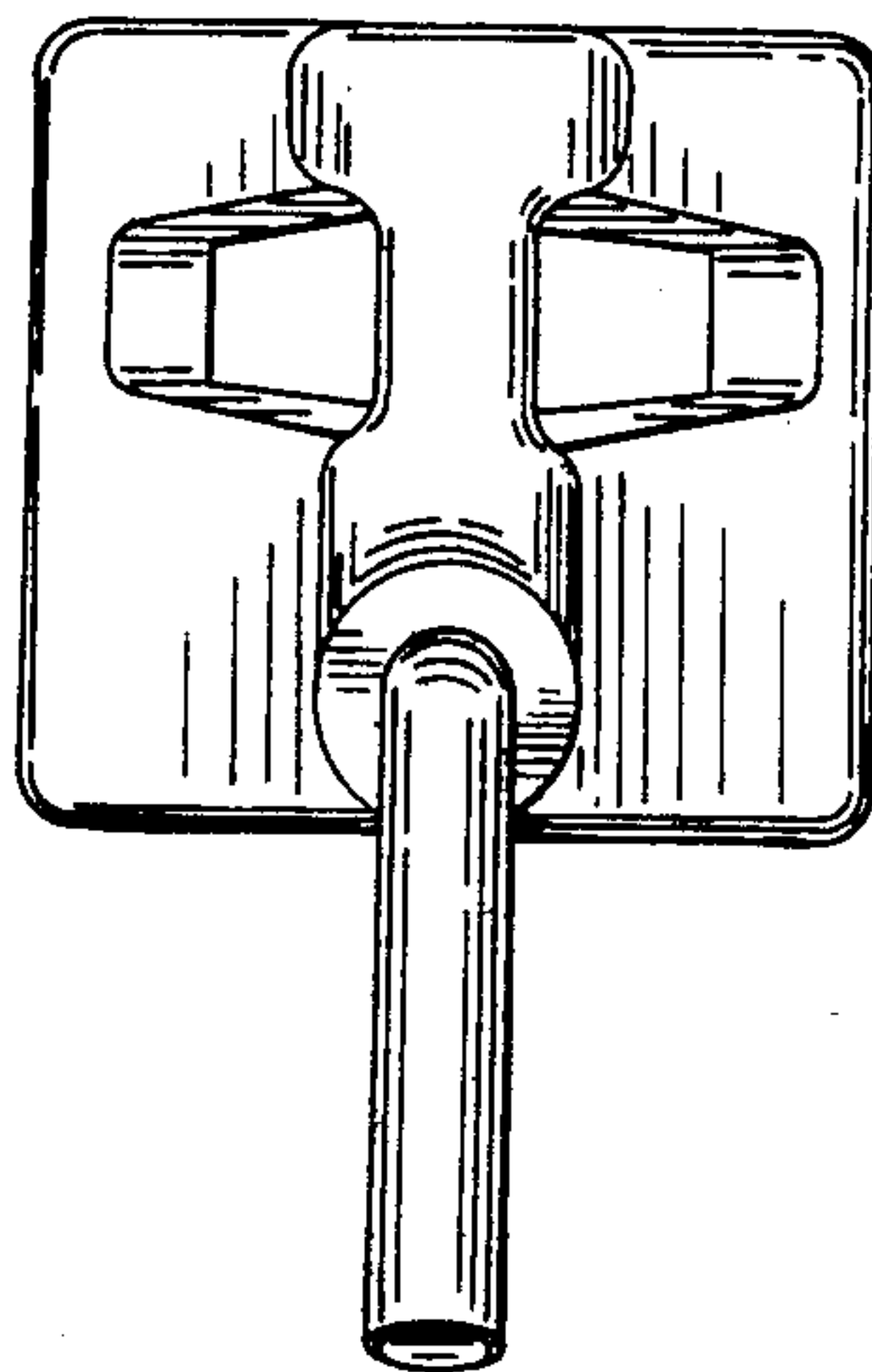


FIG. 3

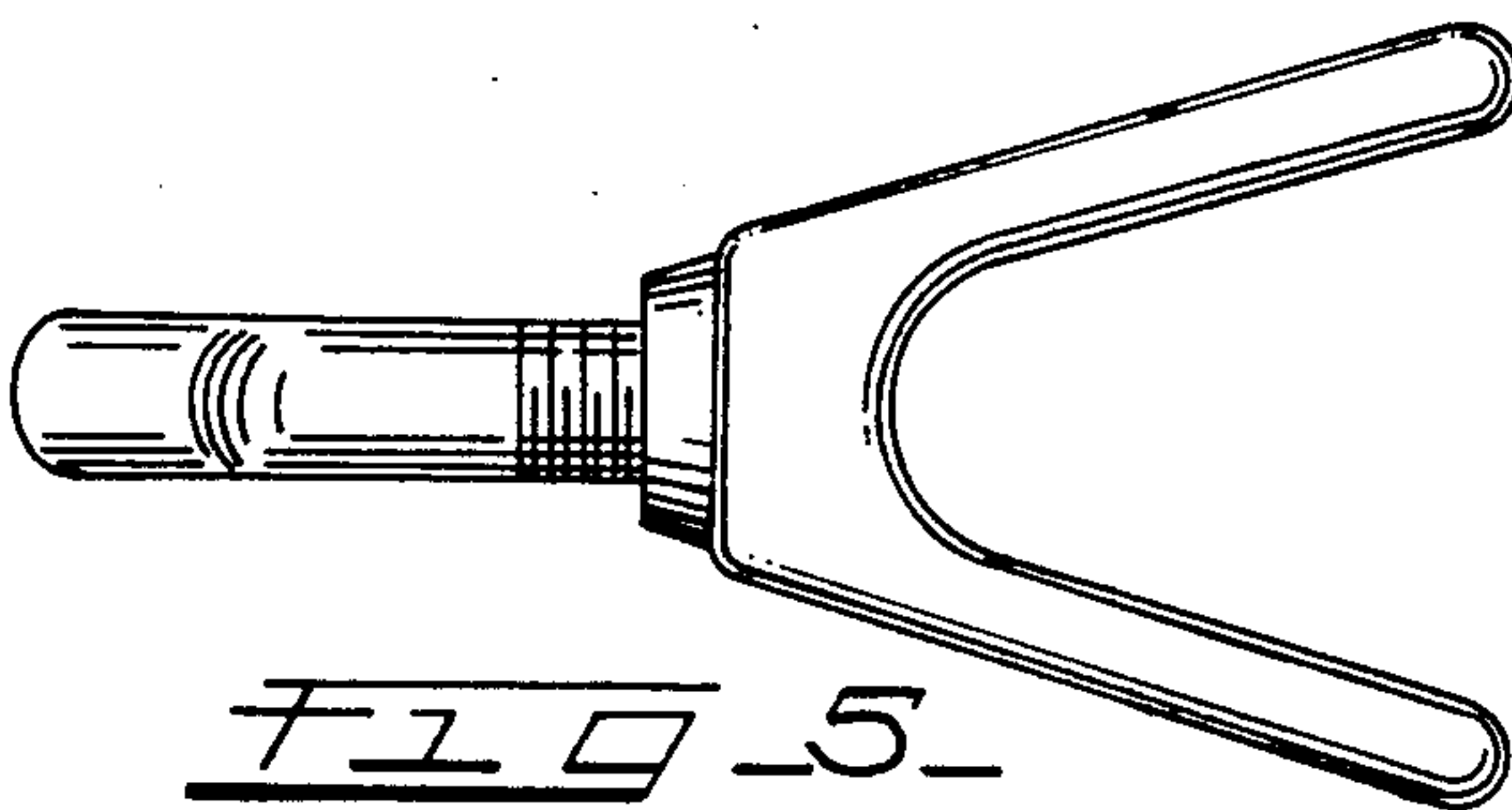
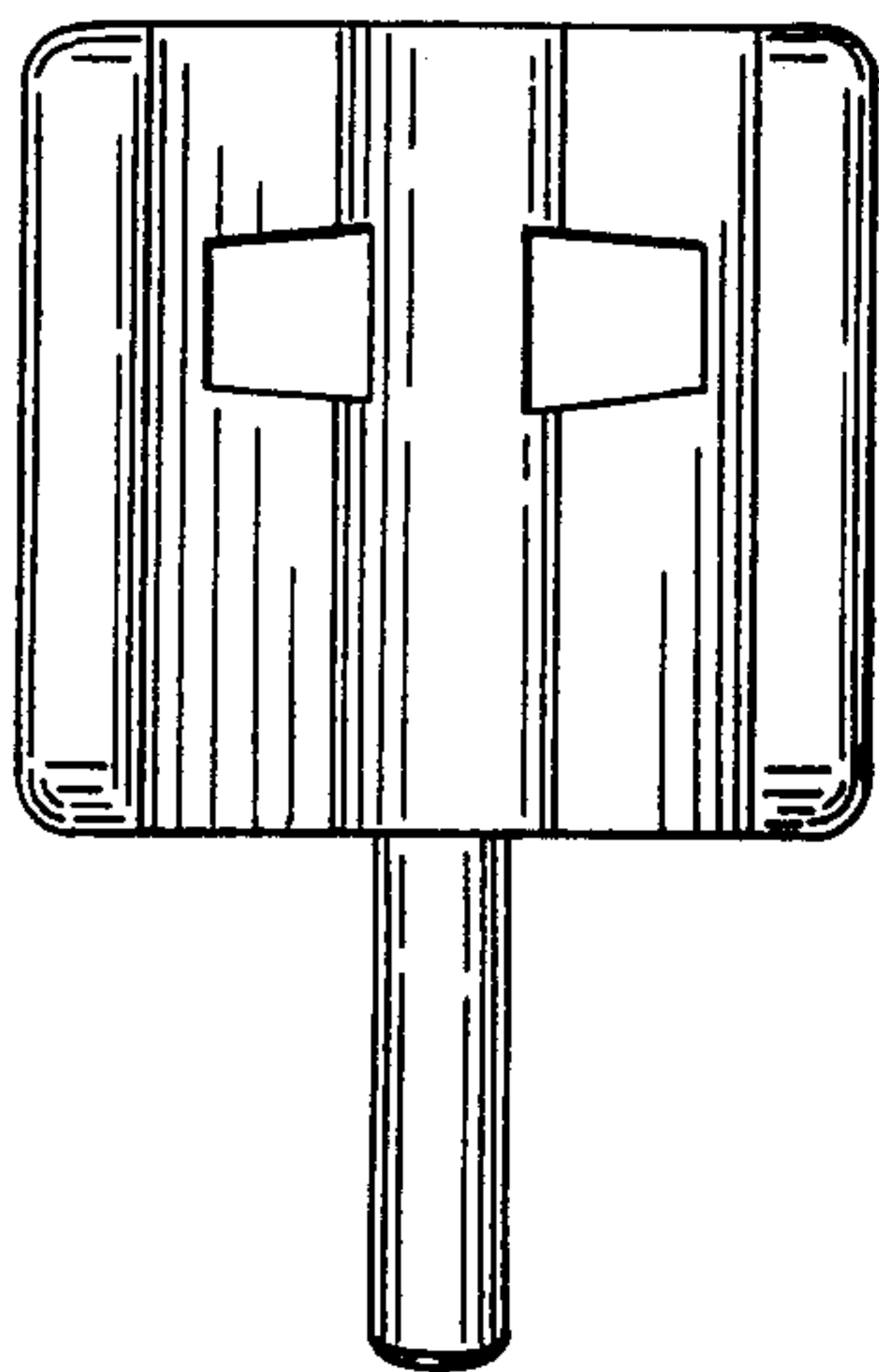


FIG. 5

FIG. 4

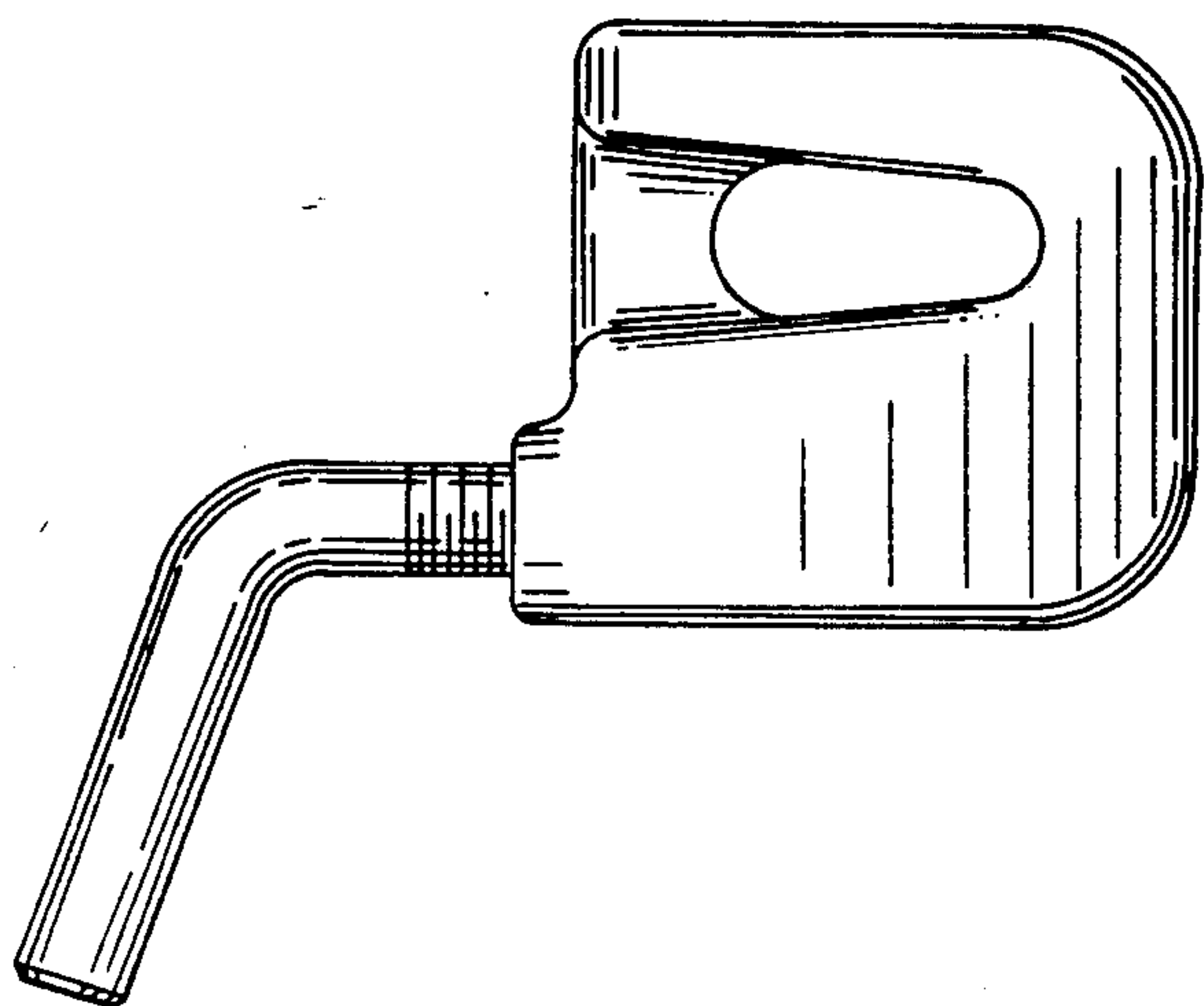


FIG. 6

