

- [54] **COMBINED LETTER OPENER AND MAGNIFYING GLASS**
- [75] Inventors: **Robert F. Bateman**, Greenville; **Ann K. Fritz**, Woonsocket, both of R.I.
- [73] Assignee: **Dart Industries, Inc.**, Los Angeles, Calif.
- [\*\*] Term: **14 Years**
- [21] Appl. No.: **863,768**
- [22] Filed: **Dec. 23, 1977**
- [51] Int. Cl. .... **D19-02**
- [52] U.S. Cl. .... **D8/104; D16/54; D19/46; D19/56**
- [58] Field of Search ..... **D8/102-104, D8/181, 183; D19/75, 53, 65, 36, 56, 46; D16/54-55; 350/243; D28/27**

- [56] **References Cited**
- U.S. PATENT DOCUMENTS**
- D. 166,170 3/1952 **Blum** ..... D16/54
- D. 200,681 3/1965 **Hermann** ..... D16/54
- D. 238,359 1/1976 **Zepell** ..... D19/46

D. 245,253 8/1977 **Moskowitz** ..... D19/53

**OTHER PUBLICATIONS**

Tagmasters Advertising Specialities Cat., 1972, p. 27, Item #DP-65.

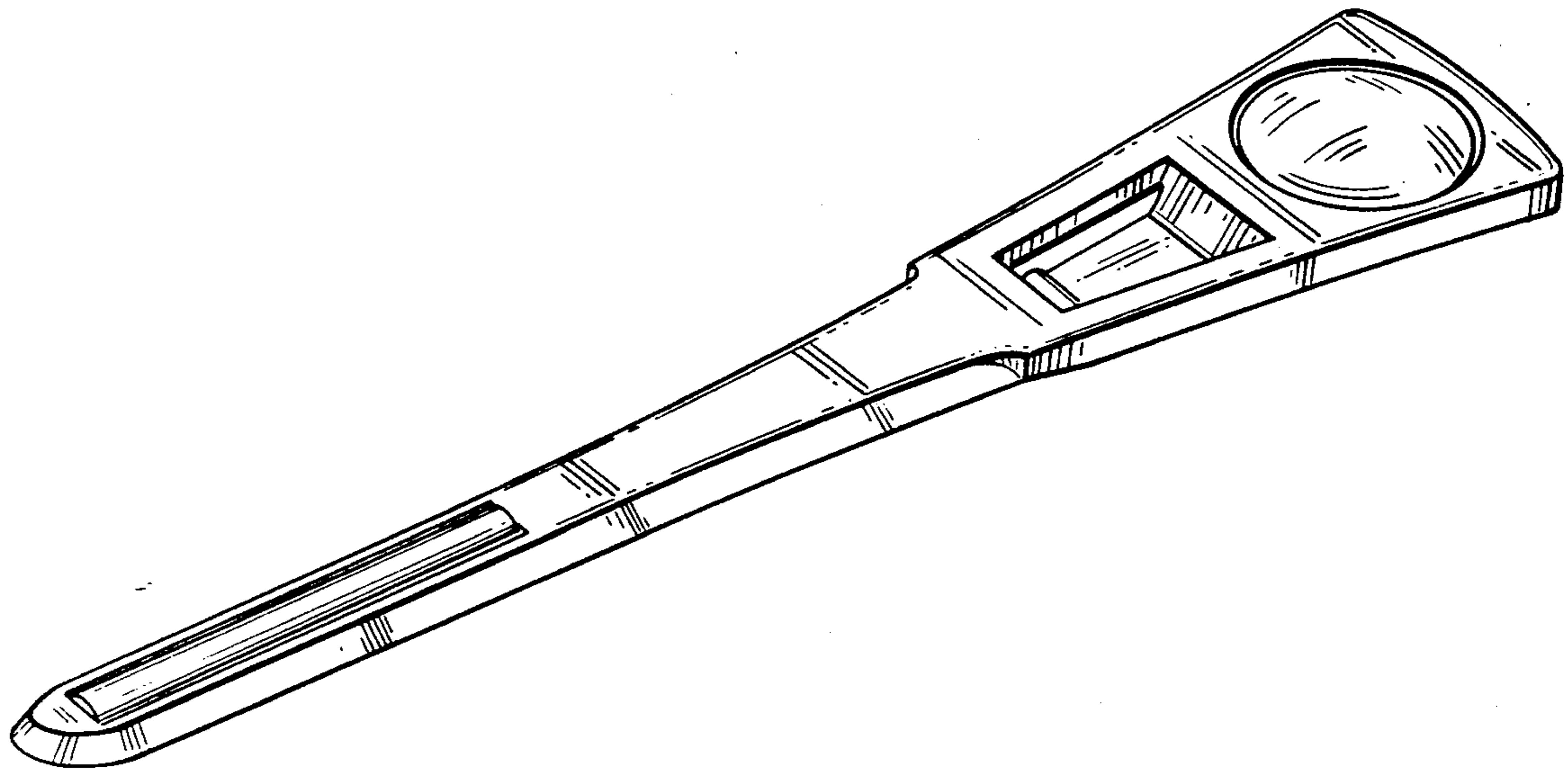
*Primary Examiner*—Joel Stearman  
*Assistant Examiner*—George P. Word  
*Attorney, Agent, or Firm*—Leigh B. Taylor

[57] **CLAIM**

The ornamental design for a combined letter opener and magnifying glass, substantially as is shown and described.

**DESCRIPTION**

FIG. 1 is a perspective view of a combined letter opener and magnifying glass showing our new design; FIG. 2 is a bottom perspective view thereof; FIG. 3 is a right end elevational view of FIG. 2; FIG. 4 is a left end elevational view; FIG. 5 is a top plan view; FIG. 6 is a bottom plan view; FIG. 7 is a rear edge elevational view; and FIG. 8 is a cross sectional view thereof taken along line 8-8 of FIG. 5.



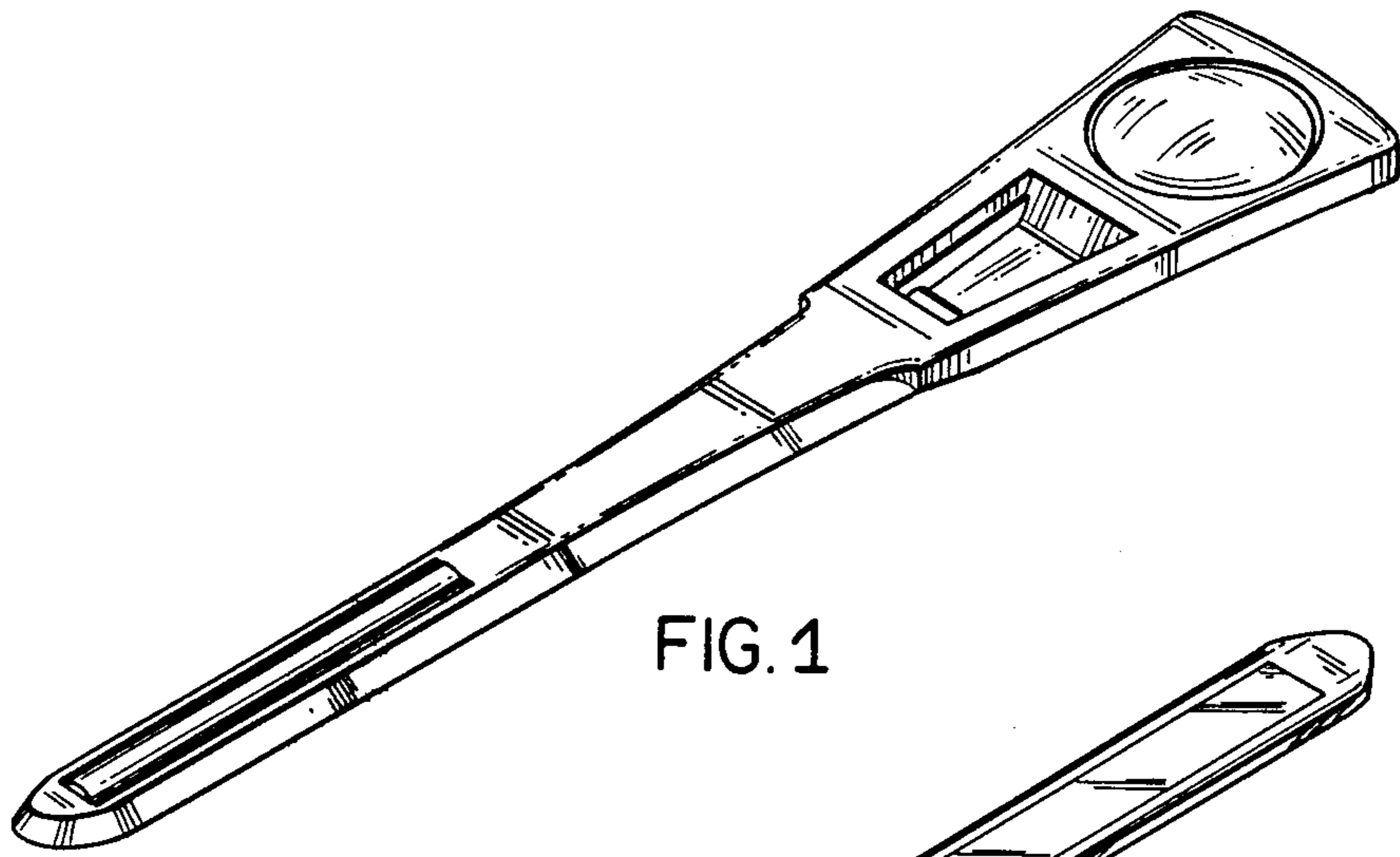


FIG. 1

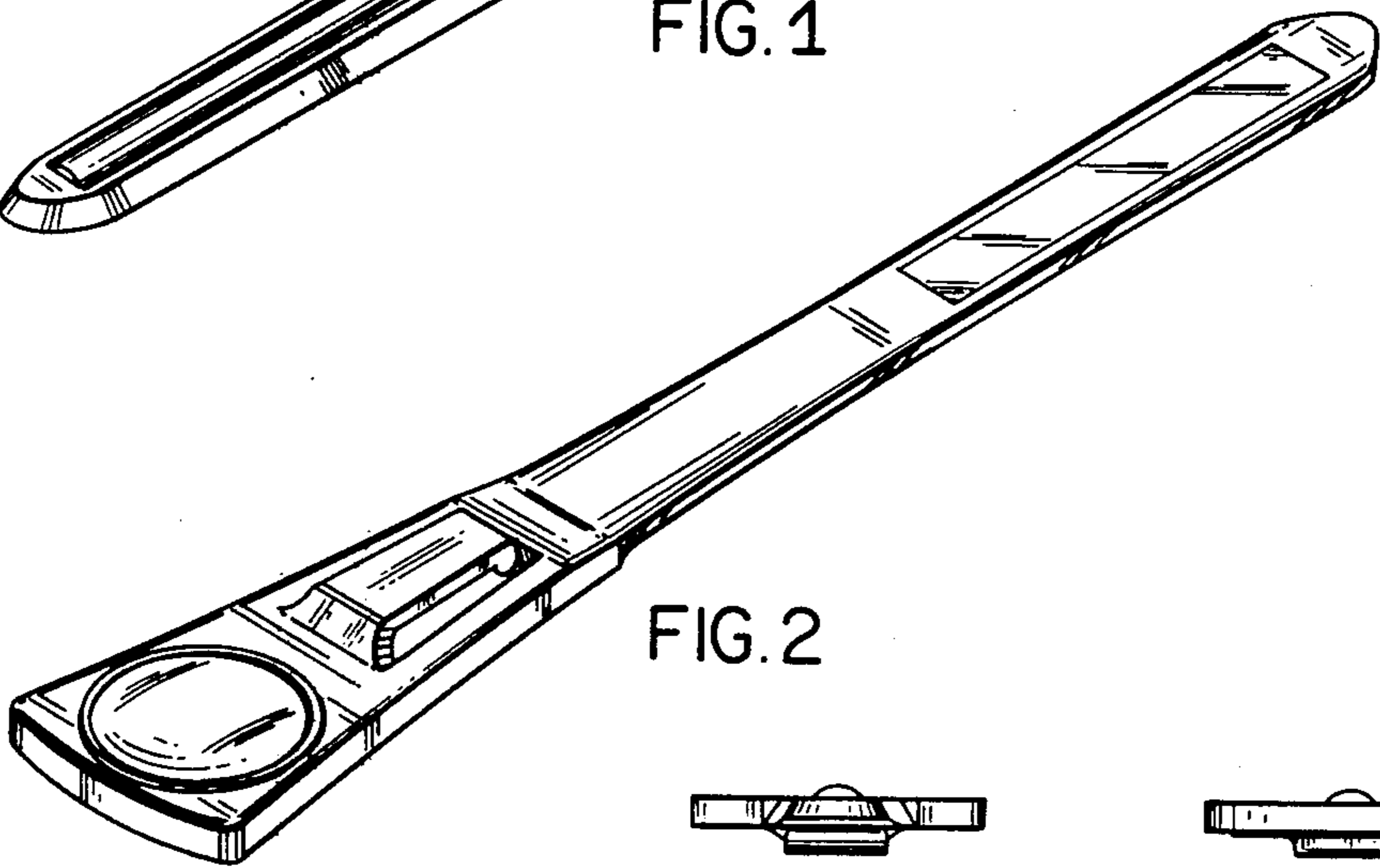


FIG. 2



FIG. 3



FIG. 4

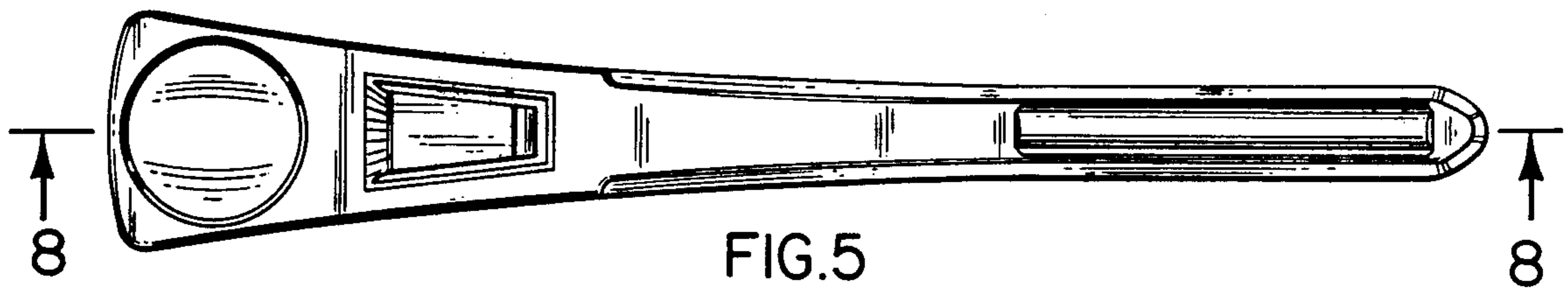


FIG. 5

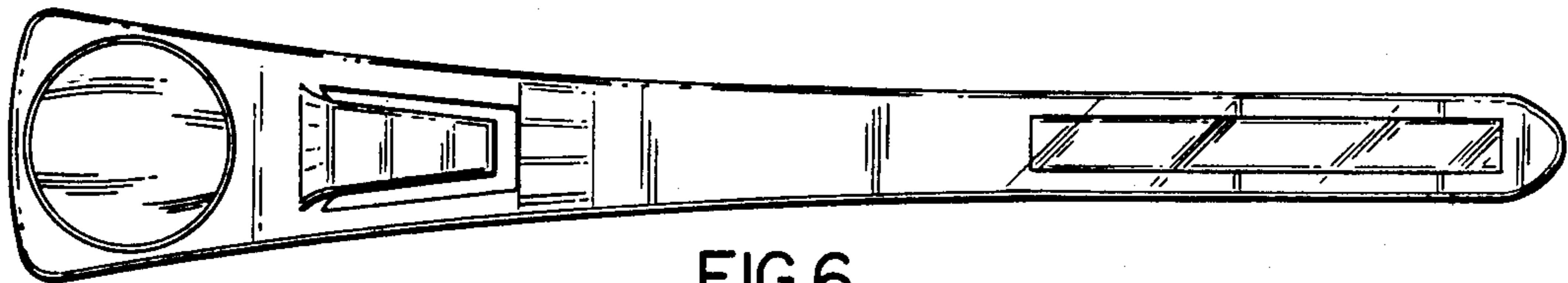


FIG. 6



FIG. 7



FIG. 8