

[54] FURNITURE DRAWER

[76] Inventor: Clayton A. Elliott, 1931 Arbor La., Union, N.J. 07083

[**] Term: 14 Years

[21] Appl. No.: 916,710

[22] Filed: Jun. 19, 1978

Related U.S. Application Data

[62] Division of Ser. No. 740,773, Nov. 11, 1976.

[51] Int. Cl. D6-06

[52] U.S. Cl. D6/191

[58] Field of Search D19/92; D6/191, 158-166, D6/186, 167; 312/253-256, 257 SM, 257 A, 107, 108, 330 SM

[56] References Cited

U.S. PATENT DOCUMENTS

D. 177,186	3/1956	McCarthy	D19/92
D. 188,832	9/1960	Staebell	D19/92
D. 201,716	7/1965	Franklin	D19/92 X
D. 217,790	6/1970	Oddo	D19/92

Primary Examiner—Bruce W. Dunkins
Attorney, Agent, or Firm—Martha G. Pugh

[57] CLAIM

The ornamental design for a furniture drawer, as shown and described.

DESCRIPTION

FIG. 1 is a front perspective view of a furniture drawer showing my new design.

FIG. 2 is a rear perspective view of the same; and FIG. 3 is a bottom perspective view thereof.

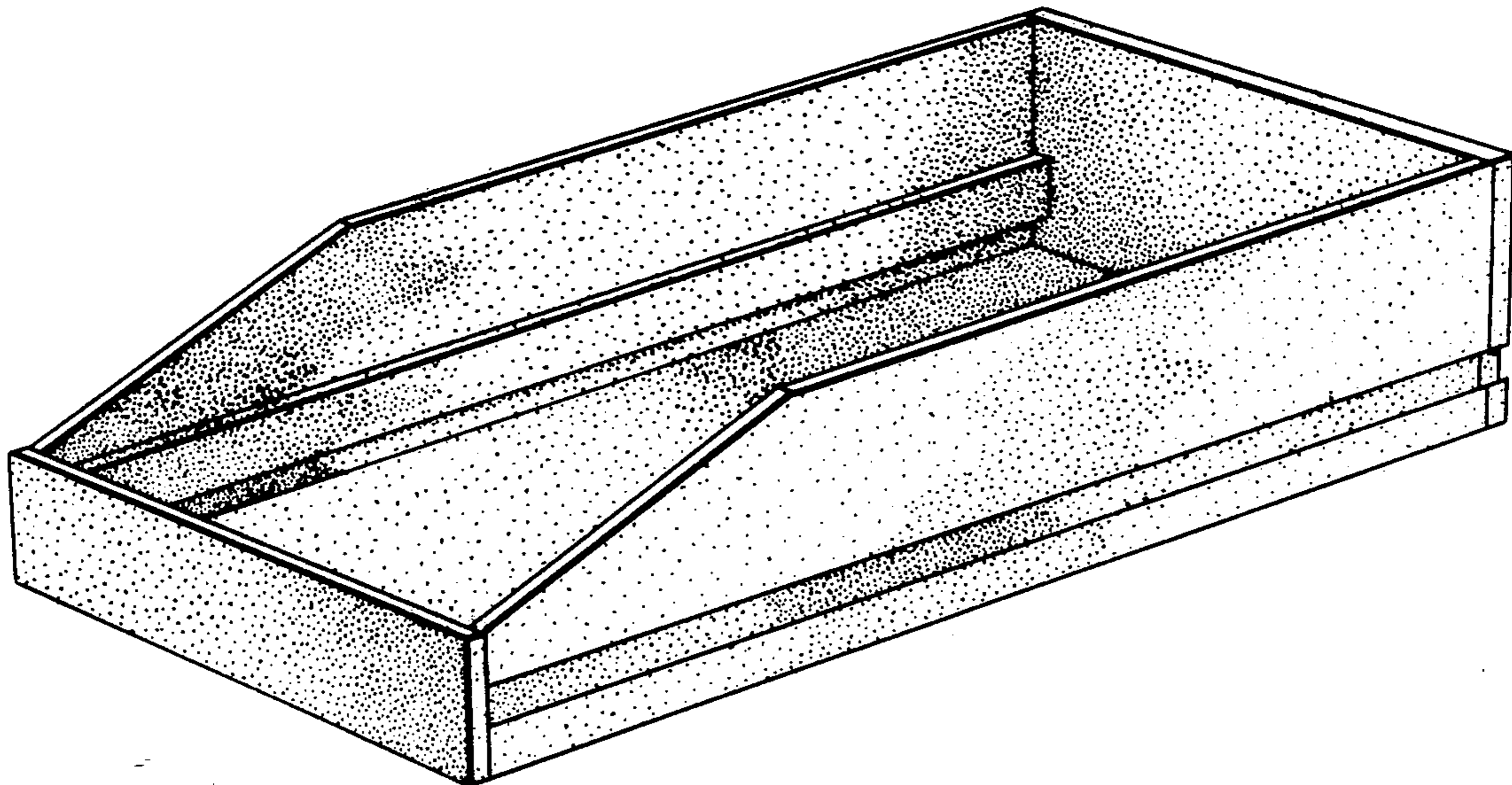


FIG. 1

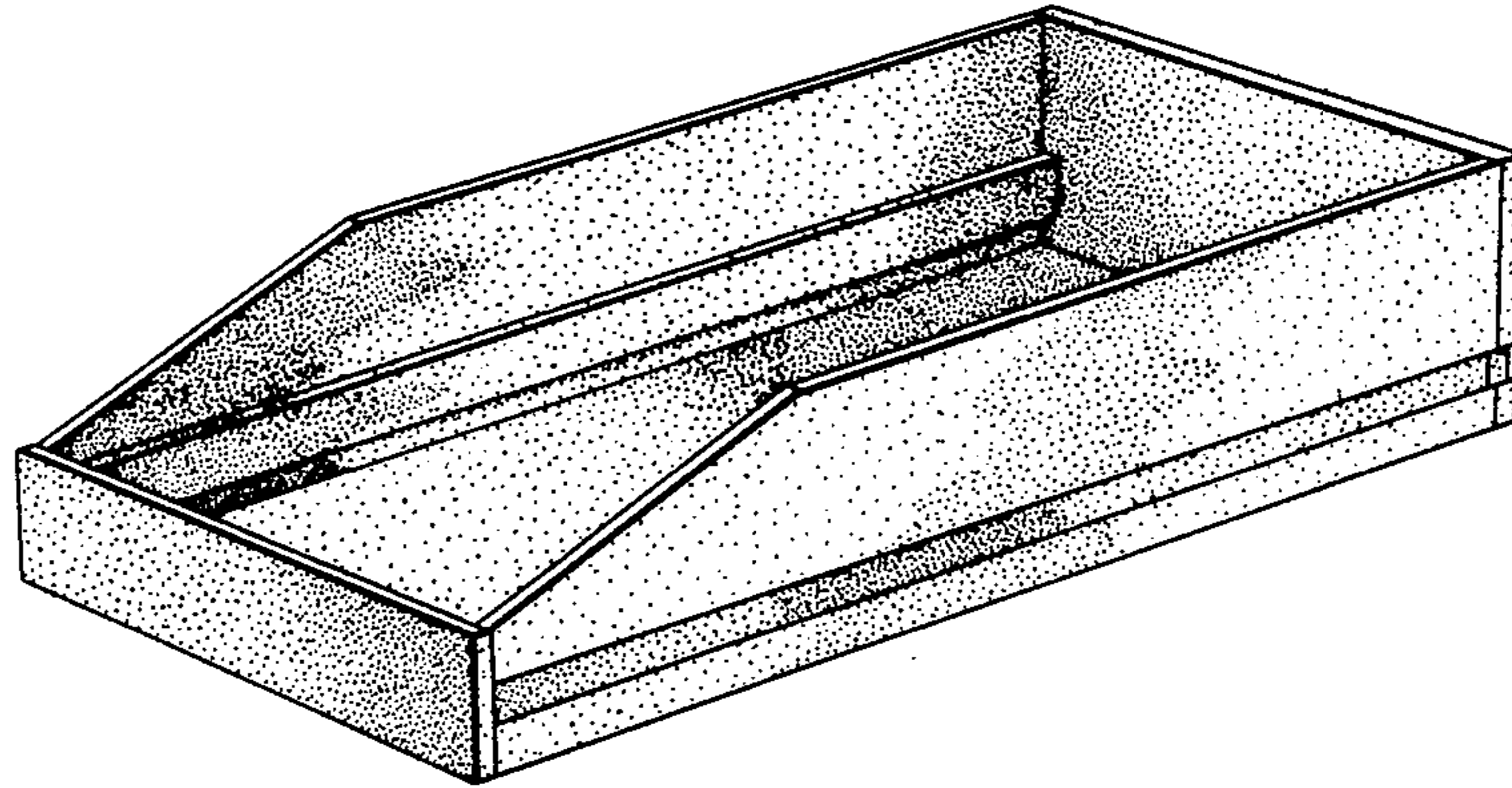


FIG. 2

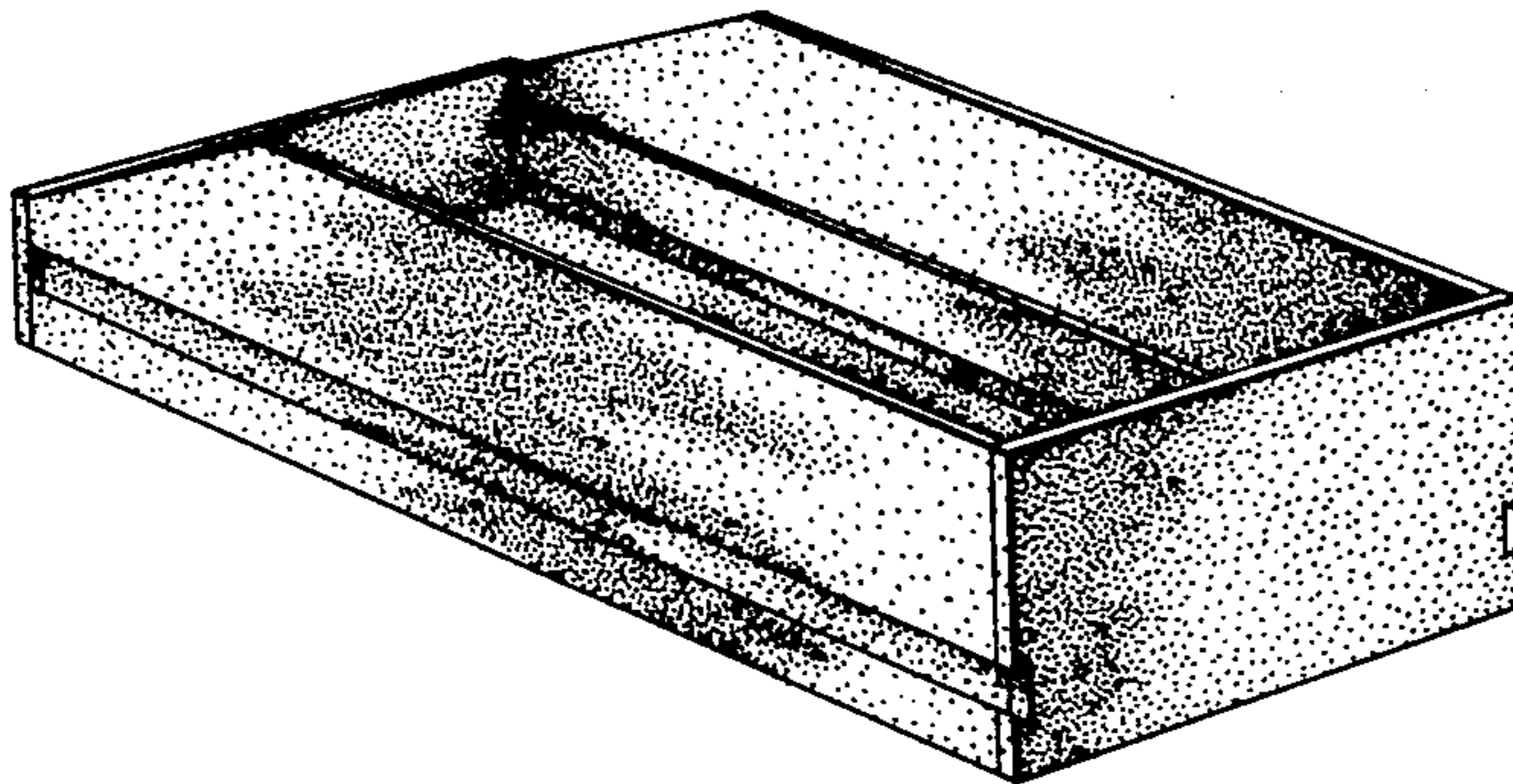


FIG. 3

