

[54] TABLE OR SIMILAR ARTICLE

[75] Inventor: Warren D. Petersen, 217A Division St., St. Charles, Ill. 60174

[73] Assignee: Burd, Inc., Howell Division

[\*\*] Term: 14 Years

[21] Appl. No.: 830,899

[22] Filed: Sep. 6, 1977

[51] Int. Cl. .... D6-03

[52] U.S. Cl. .... D6/178

[58] Field of Search ..... D6/177, 178, 175, 179, D6/146-149; 108/59, 60, 65, 66, 69, 70, 77, 79, 83, 87, 88, 89, 111, 112, 114

[56] References Cited

U.S. PATENT DOCUMENTS

D. 153,739	5/1949	Wallace .....	D6/178
2,154,125	4/1939	Dillon .....	108/79
2,563,891	8/1951	Wallace .....	108/79
2,729,526	1/1956	Humphrey .....	108/79
3,520,259	7/1970	Sanchez .....	108/79
3,606,845	9/1971	Hickman .....	108/112

OTHER PUBLICATIONS

Industrial Design, 10-1964, p. 48, Table left center, Panel 8.

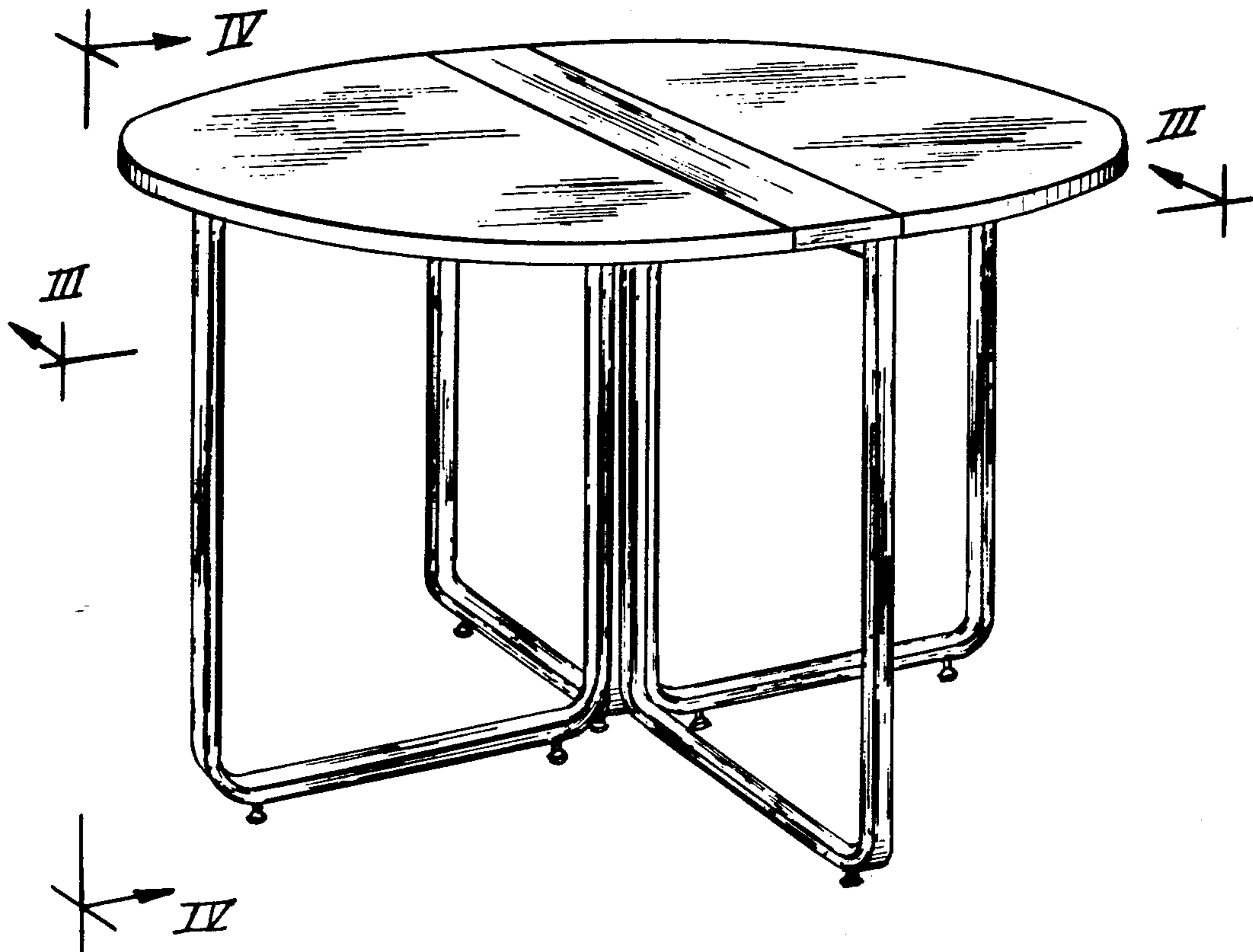
Primary Examiner—Bruce W. Dunkins  
Attorney, Agent, or Firm—Benjamin H. Sherman

[57] CLAIM

The ornamental design for a table or similar article, substantially as shown.

DESCRIPTION

FIG. 1 is a perspective view of a table or similar article showing my design in fully opened condition;  
 FIG. 2 is a top plan view thereof on a reduced scale;  
 FIG. 3 is a side elevational view looking in the direction of the line III—III of FIG. 1;  
 FIG. 4 is an end elevational view looking in the direction of the line IV—IV of FIG. 1.  
 FIG. 5 is a perspective view of the table shown in FIG. 1 on a reduced scale and in fully folded condition;  
 FIG. 6 is an end elevational view of the table in fully folded condition but on a larger scale than the FIG. 5 illustration.  
 FIG. 7 is a perspective view of the table of FIG. 5 shown in a partially folded condition.



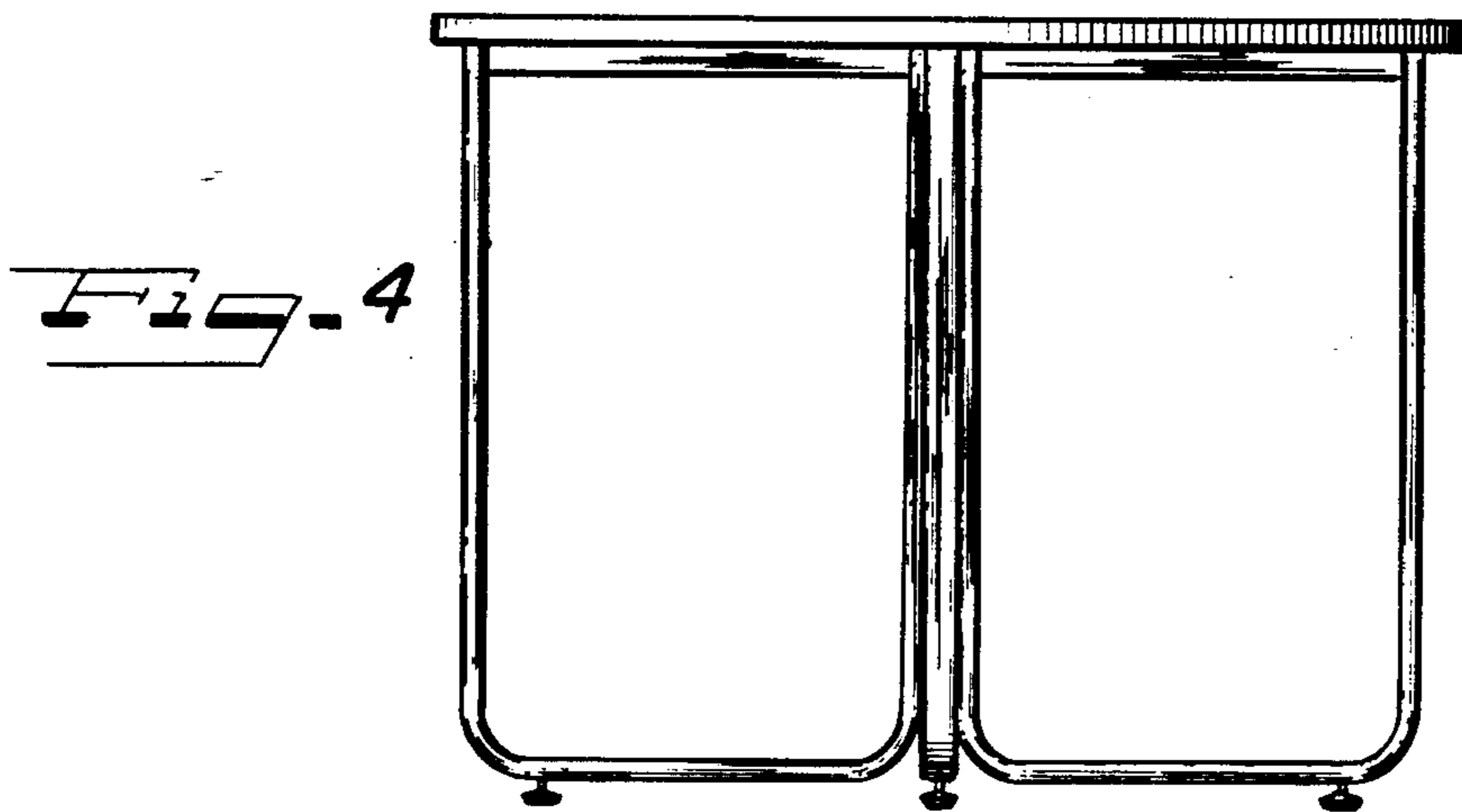
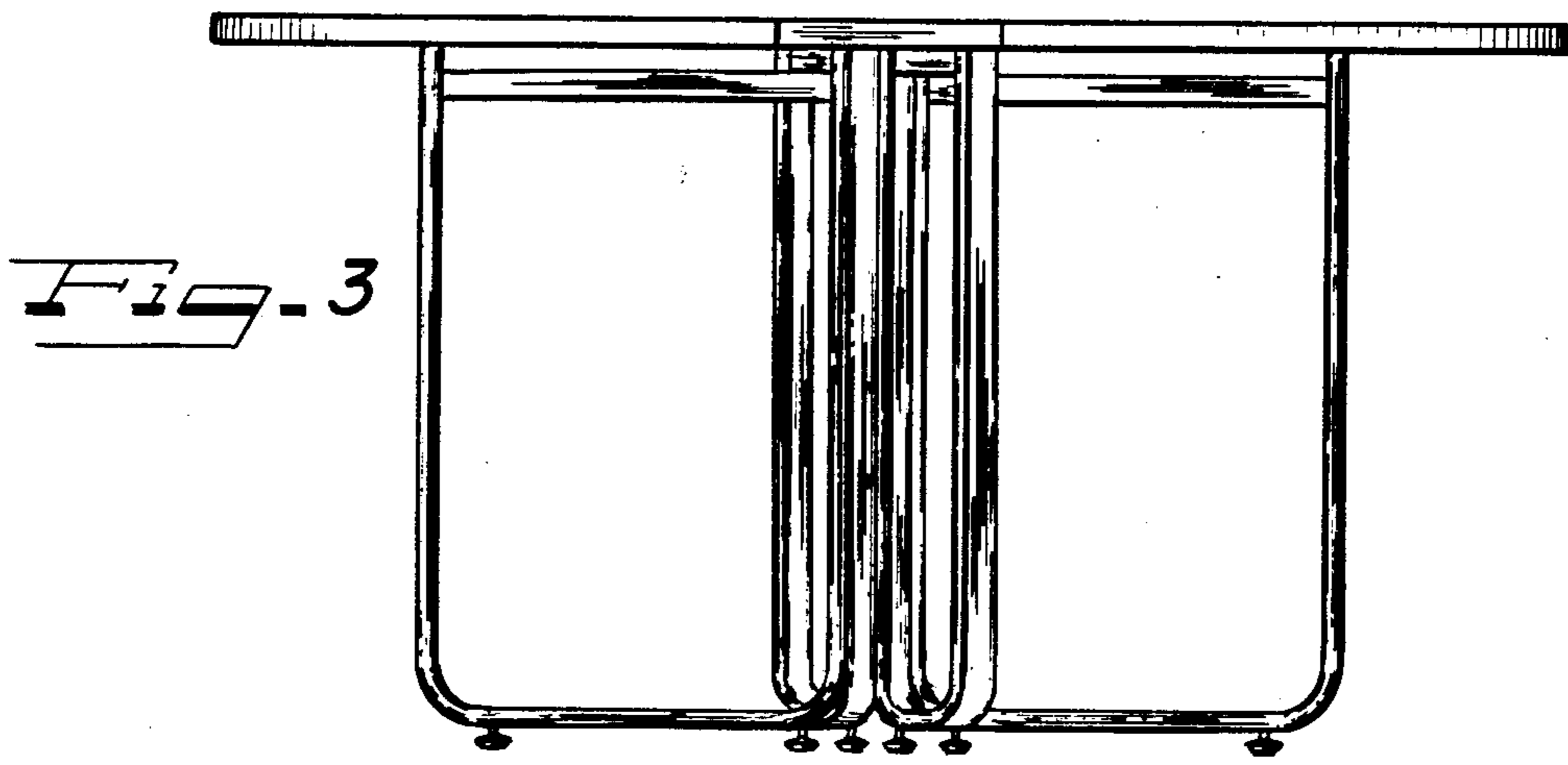
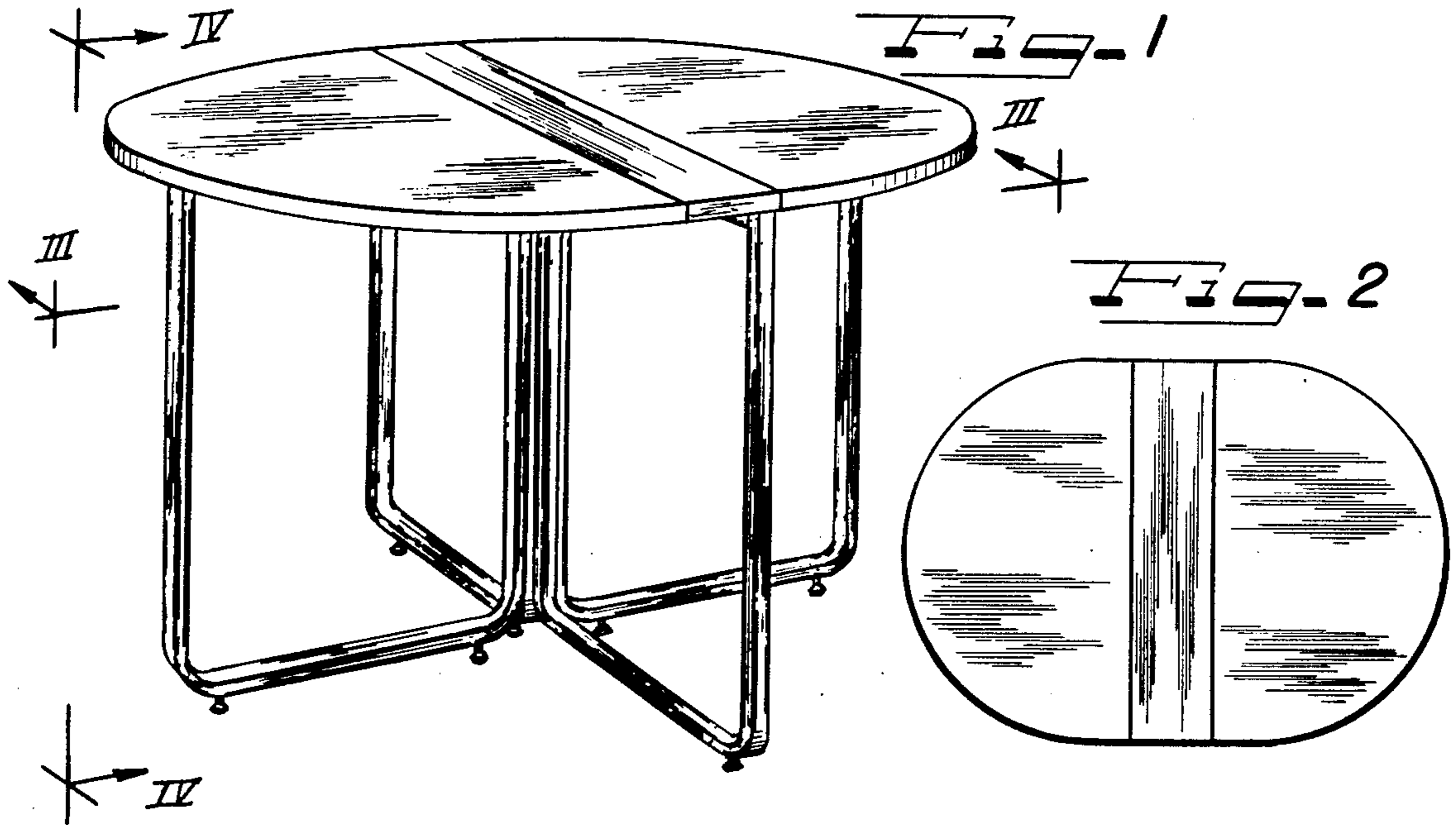


Fig. 5

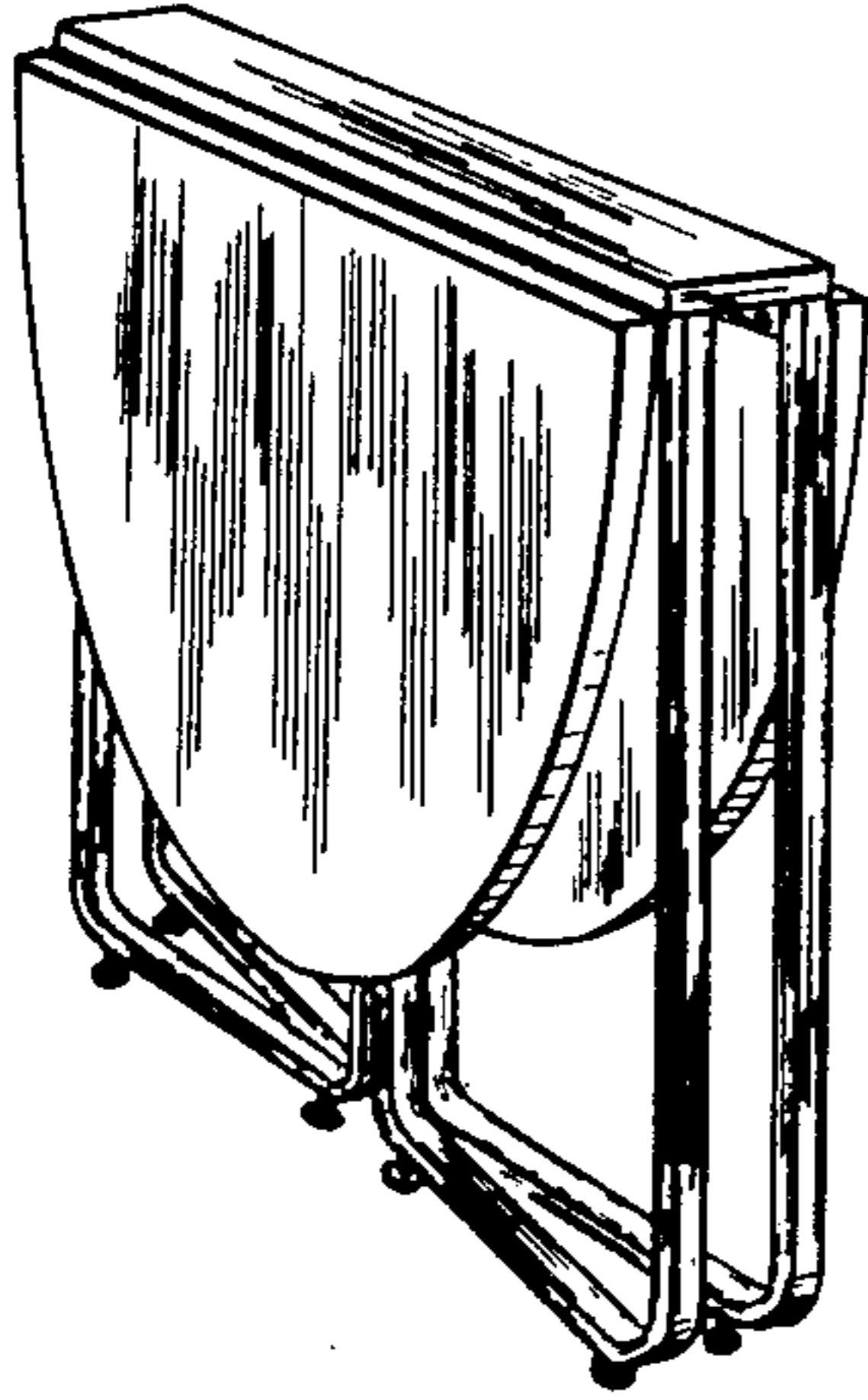


Fig. 7

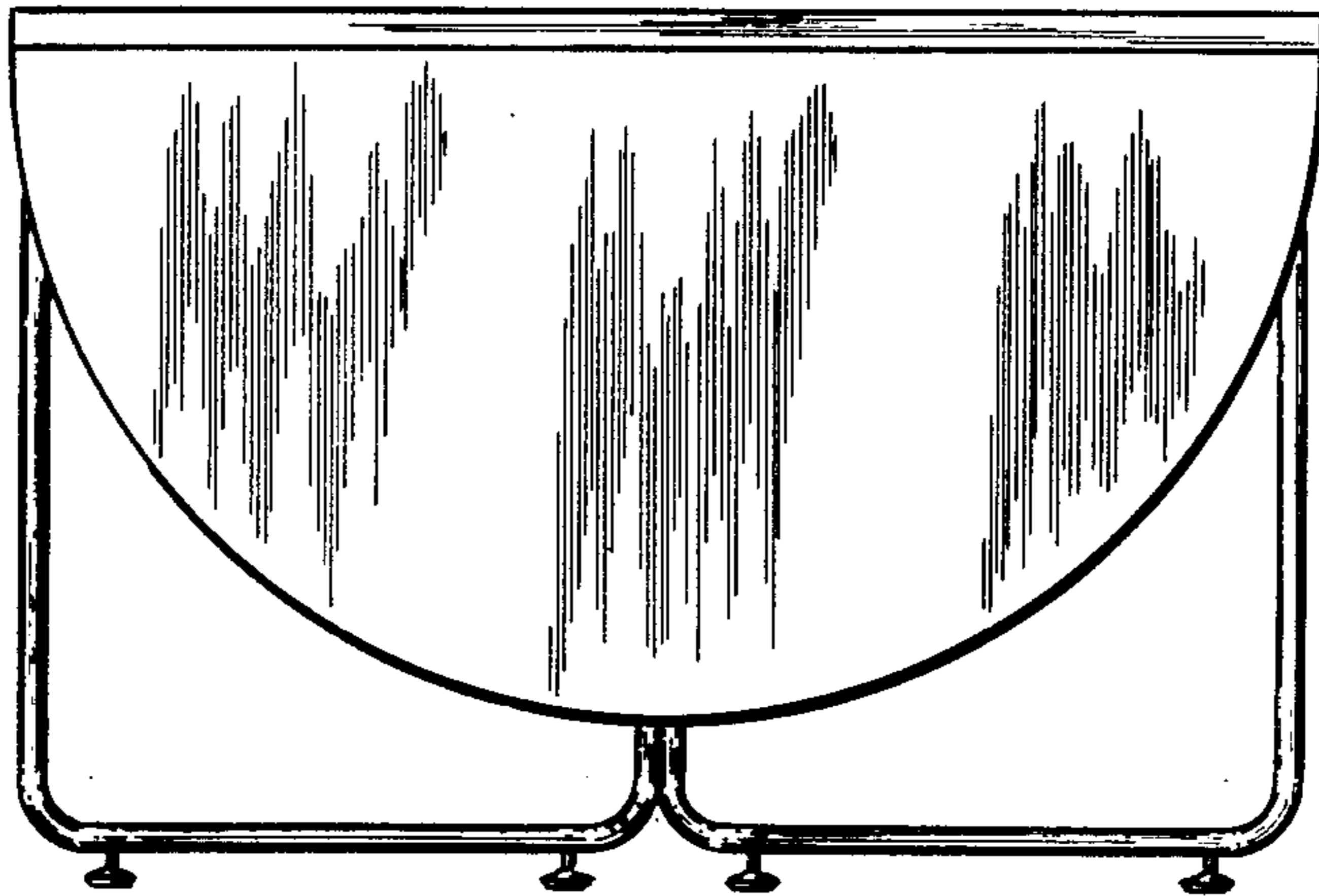
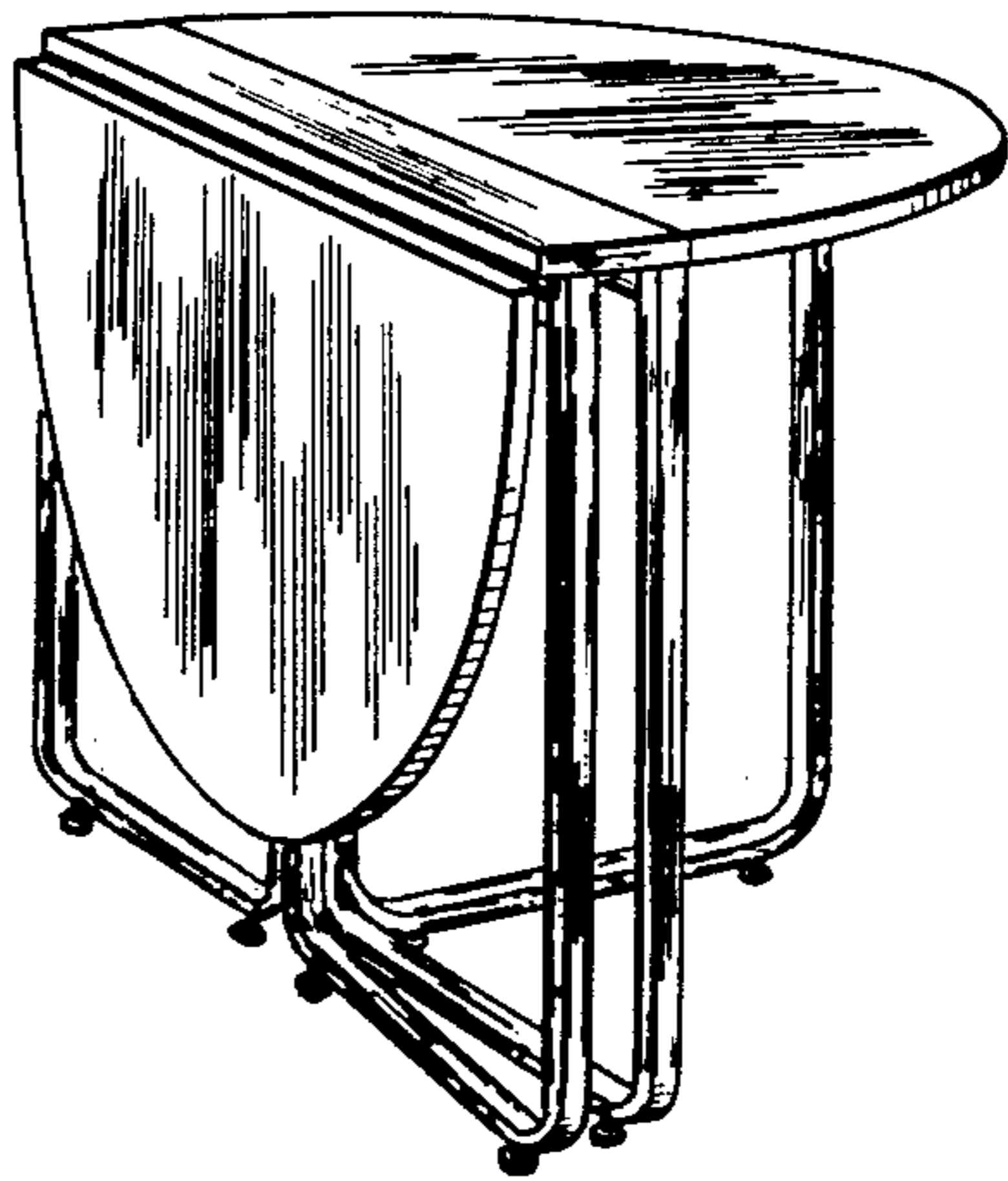


Fig. 6