

[54] DRESSING CHEST OR THE LIKE

[76] Inventor: Eligah J. Bowman, Jr., P.O. Drawer 350, Tallulah, La. 71282

[**] Term: 14 Years

[21] Appl. No.: 812,396

[22] Filed: Jul. 1, 1977

[51] Int. Cl. D6-04

[52] U.S. Cl. D6/154; D17/7

[58] Field of Search D6/144, 154, 178, 151, D6/152; D56/2, 9

[56] References Cited

U.S. PATENT DOCUMENTS

D. 37,080	8/1904	Howard	D6/154
D. 100,278	7/1936	Metcalf	D6/144
1,213,832	1/1917	Brandt	D6/178 X

Primary Examiner—Bruce W. Dunkins

Attorney, Agent, or Firm—Perry J. Saidman

[57] CLAIM

The ornamental design for a dressing chest or the like, as shown and described.

DESCRIPTION

FIG. 1 is a perspective view showing the front, one end, and the top of a dressing chest according to my invention;

FIG. 2 is a perspective view showing the front with drawers open, the other end, and the top in an open condition of my dressing chest;

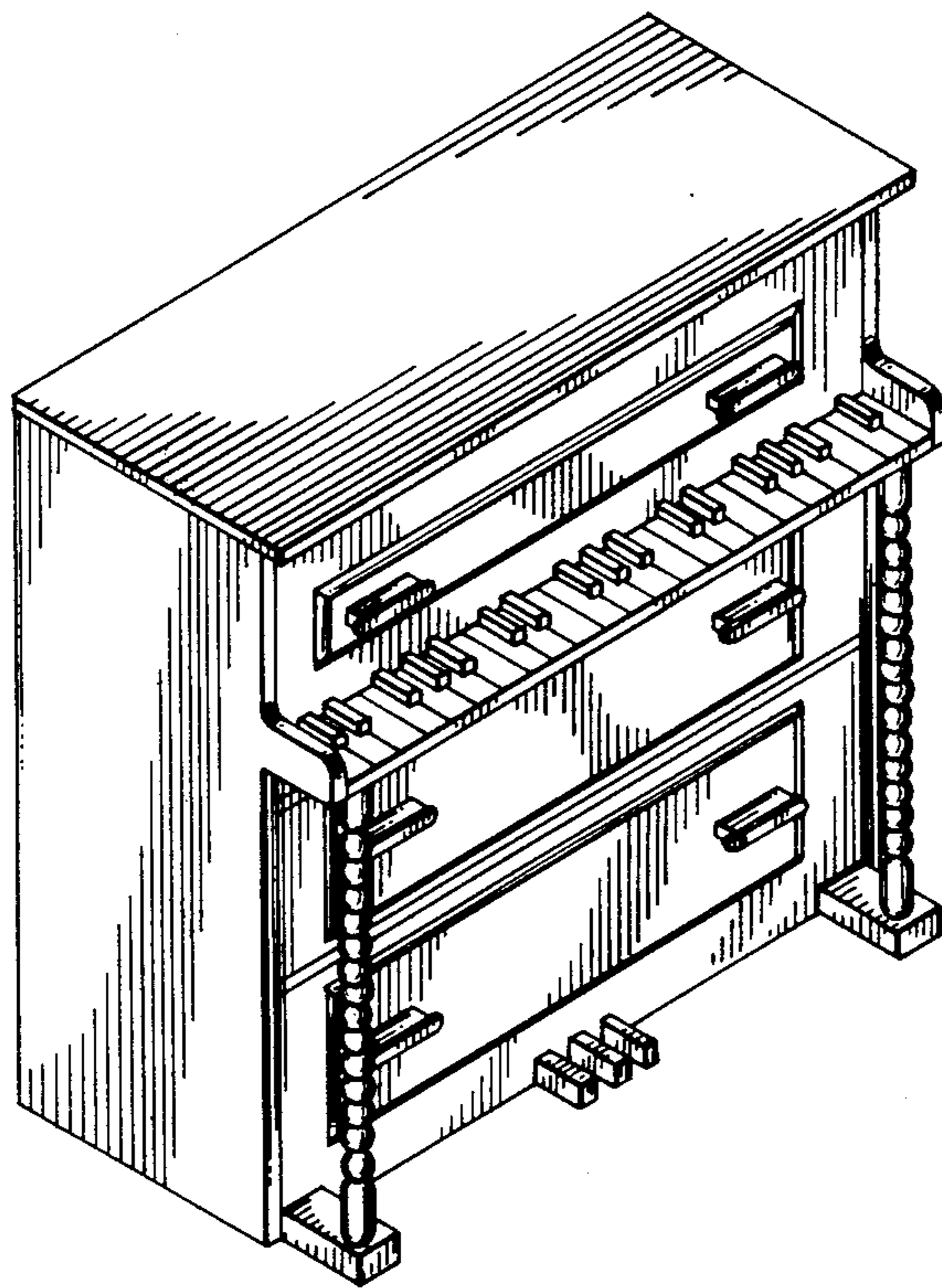
FIG. 3 is a top view of my invention illustrated in FIG. 1;

FIG. 4 is a left side view of my invention illustrated in FIG. 1;

FIG. 5 is a front elevational view of my dressing chest illustrated in FIG. 1; and

FIG. 6 is a bottom view of my invention.

The back of the chest is conventionally flat and unornamented.



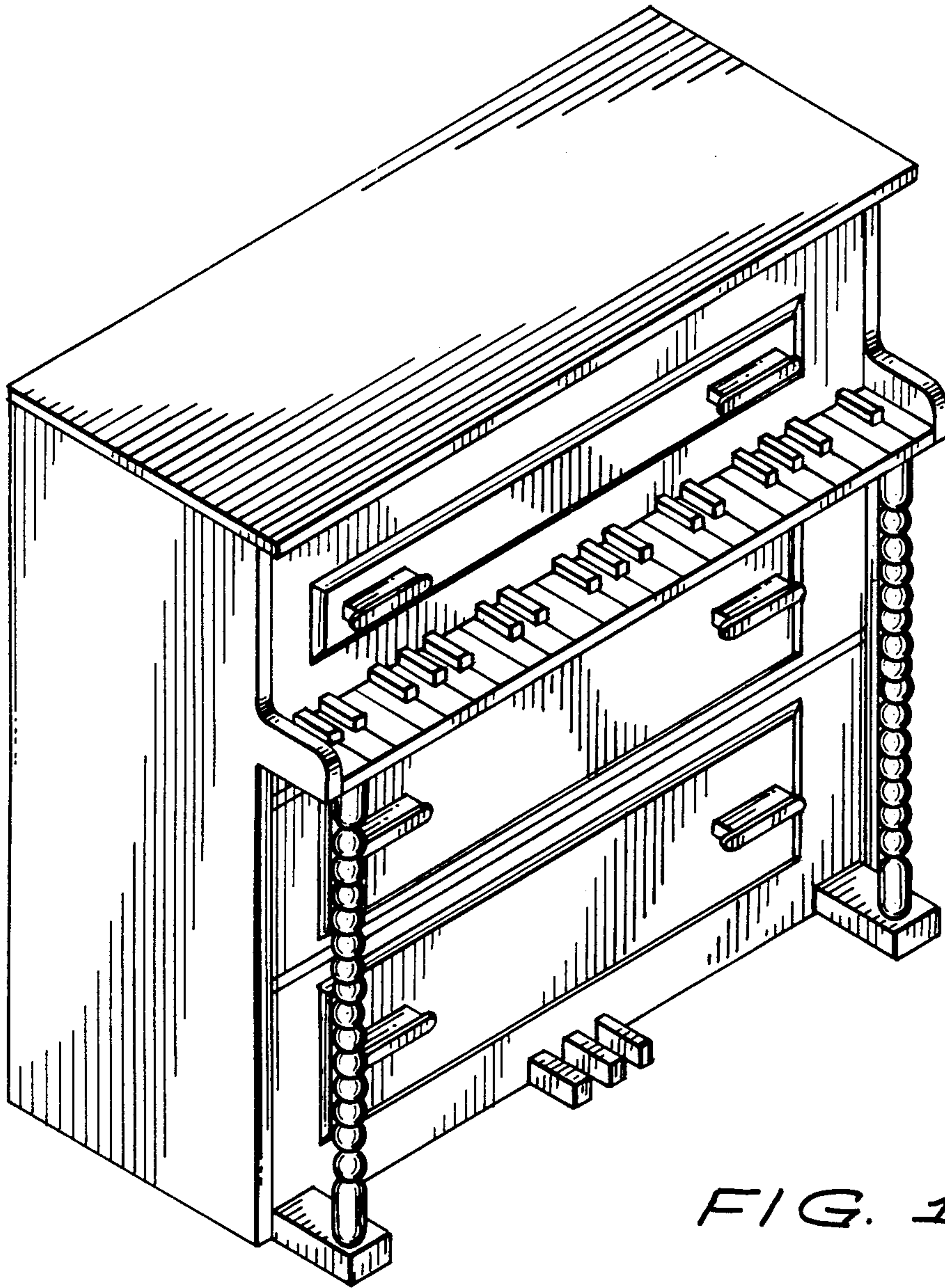


FIG. 1.

FIG. 2.

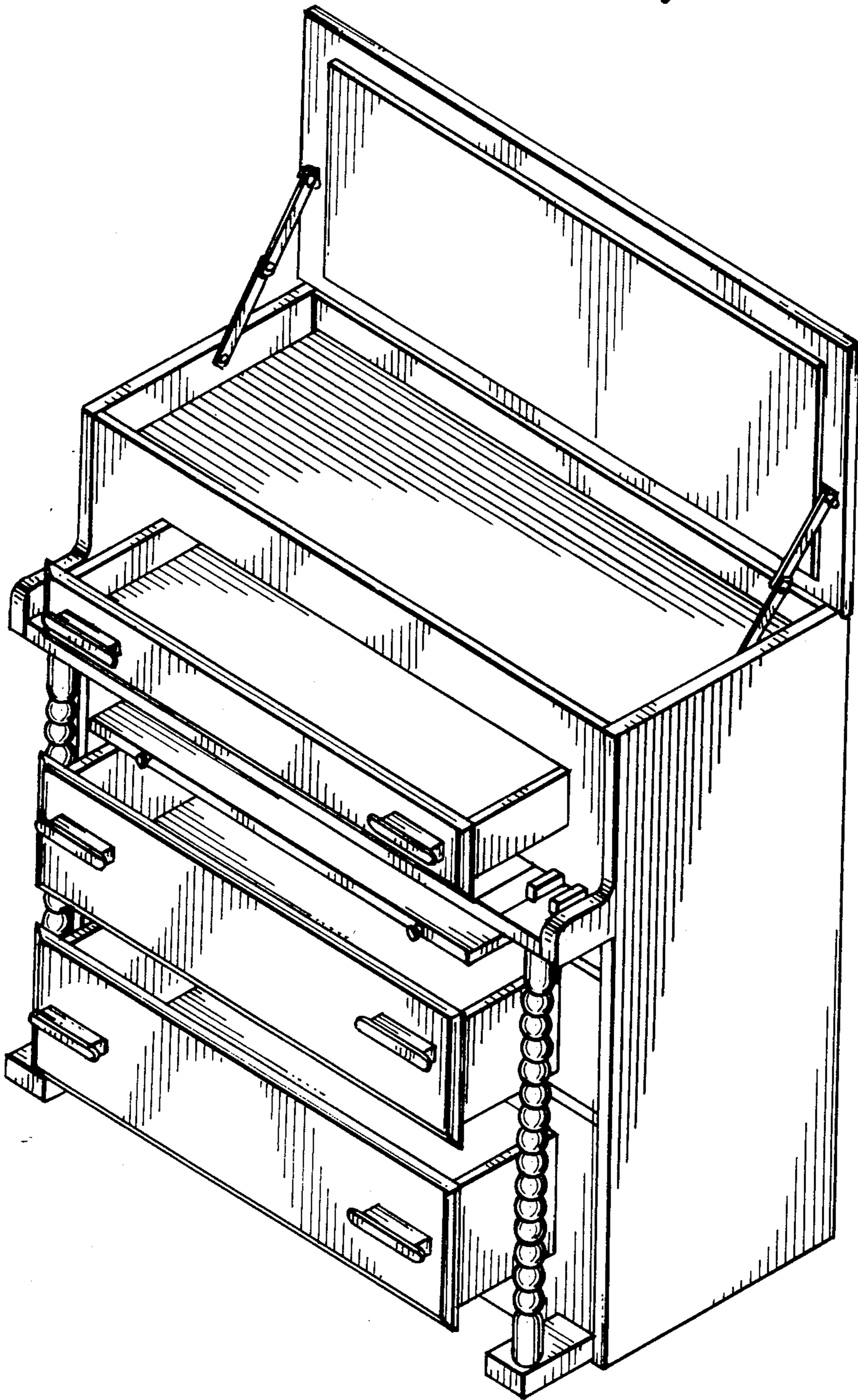


FIG. 3.

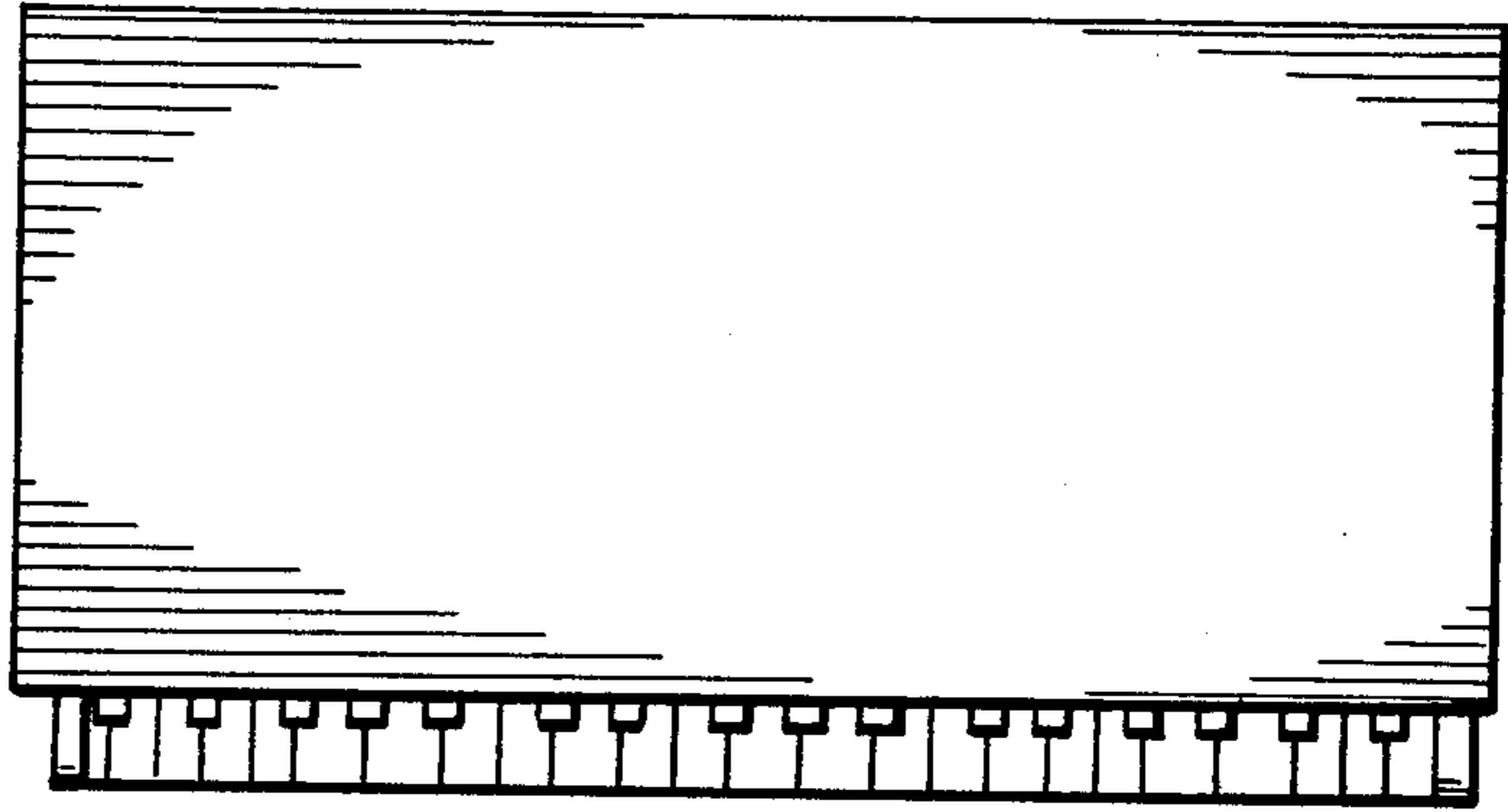


FIG. 4.

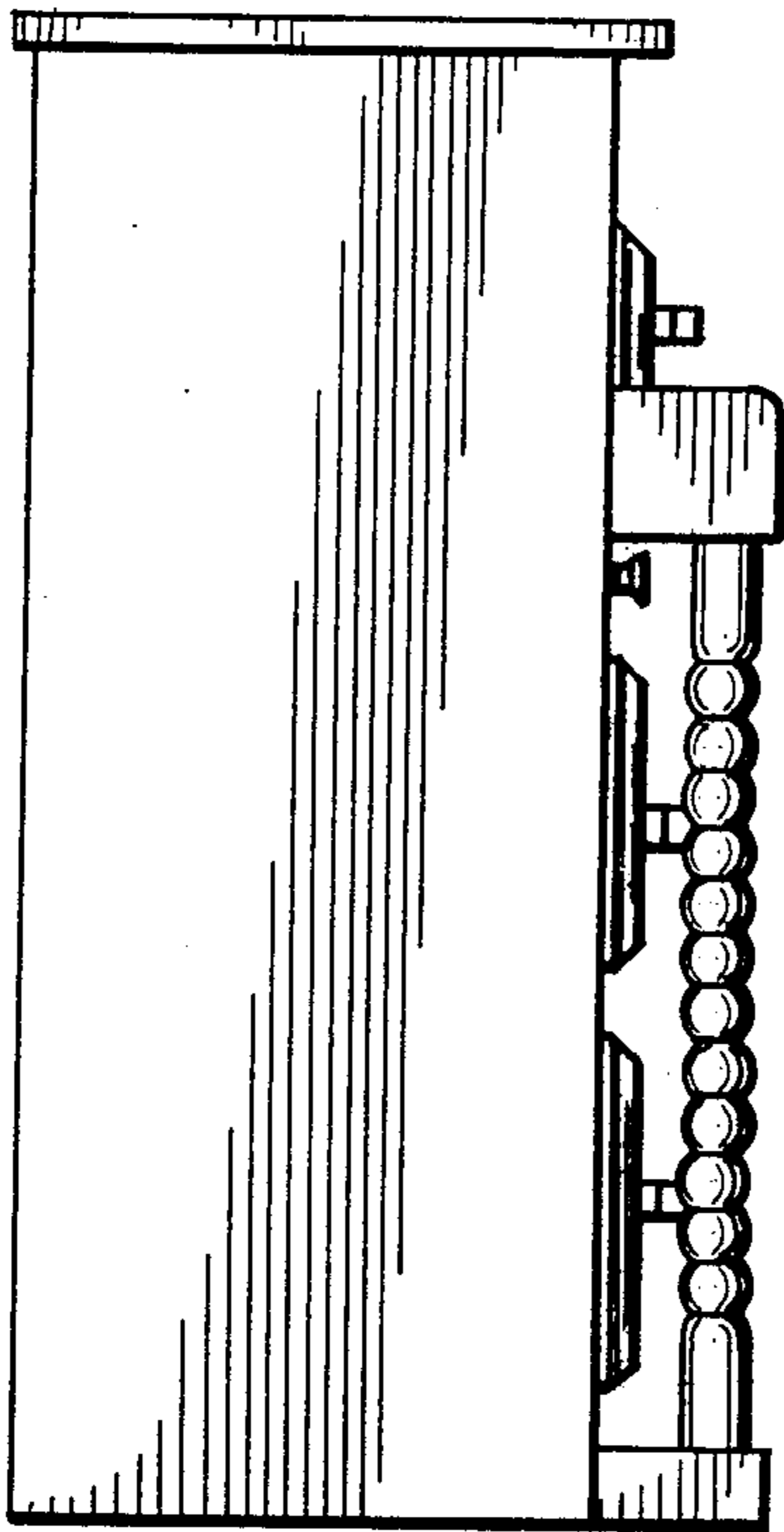


FIG. 5.

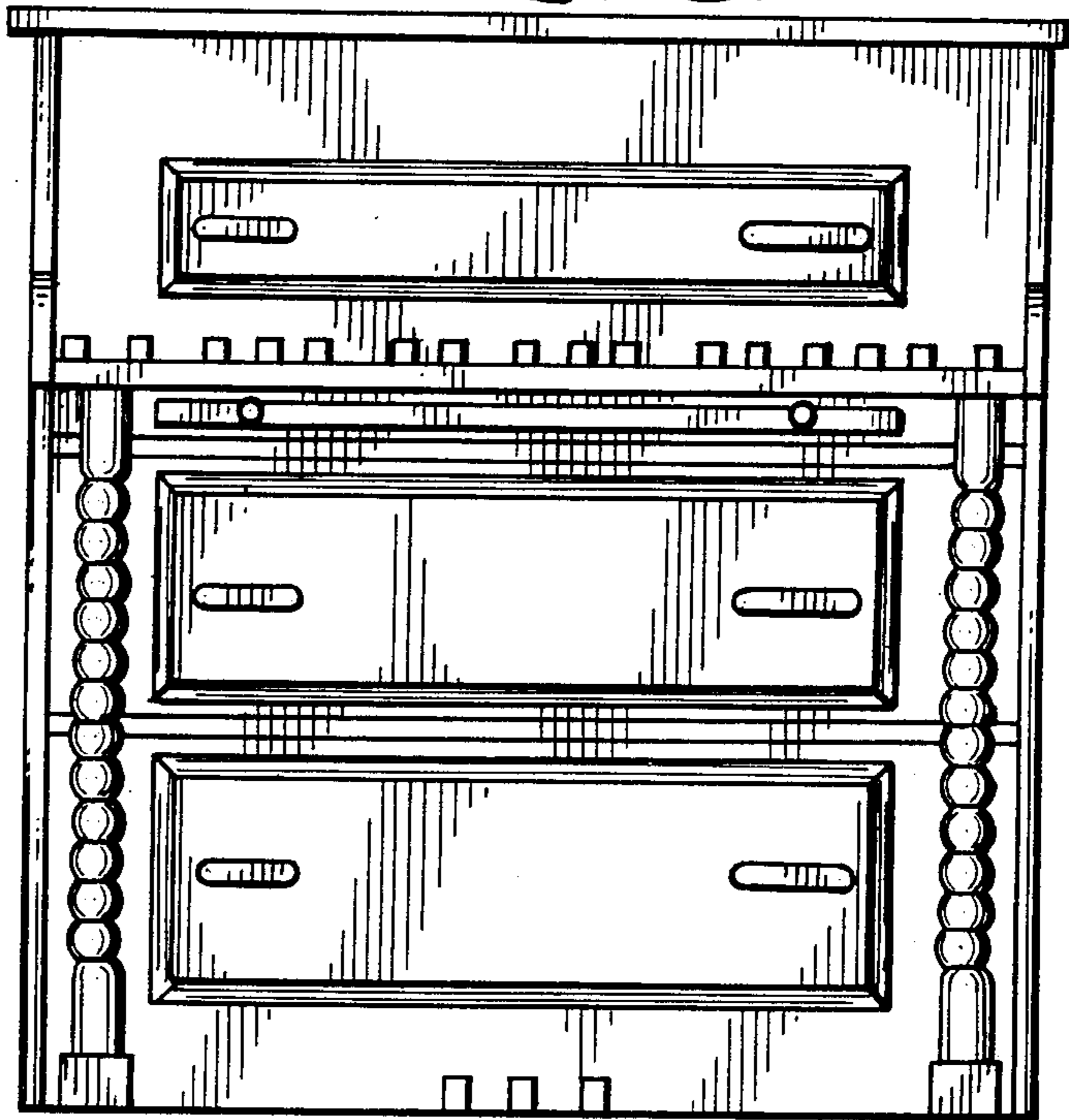


FIG. 6.

