

[54] **BELT DISPLAY FIXTURE**

[75] Inventors: **Allan L. Ford, Melrose Park; William A. Cole, Jenkintown, both of Pa.**

[73] Assignee: **Reborn Products Co., Inc., Philadelphia, Pa.**

[**] Term: **14 Years**

[21] Appl. No.: **830,510**

[22] Filed: **Sep. 6, 1977**

[51] Int. Cl. **D20—02**

[52] U.S. Cl. **D6/28; D6/29; D6/157**

[58] Field of Search **D6/20, 23-25, D6/27-29, 85, 119, 157; 211/13, 181, 182, 163**

[56] **References Cited**
U.S. PATENT DOCUMENTS

D. 166,425 4/1952 Stolz D6/28

D. 179,891 3/1957 Flannery D6/28

3,185,423 5/1965 Jones D6/27

3,978,593 9/1976 Pulitzer et al. D6/85

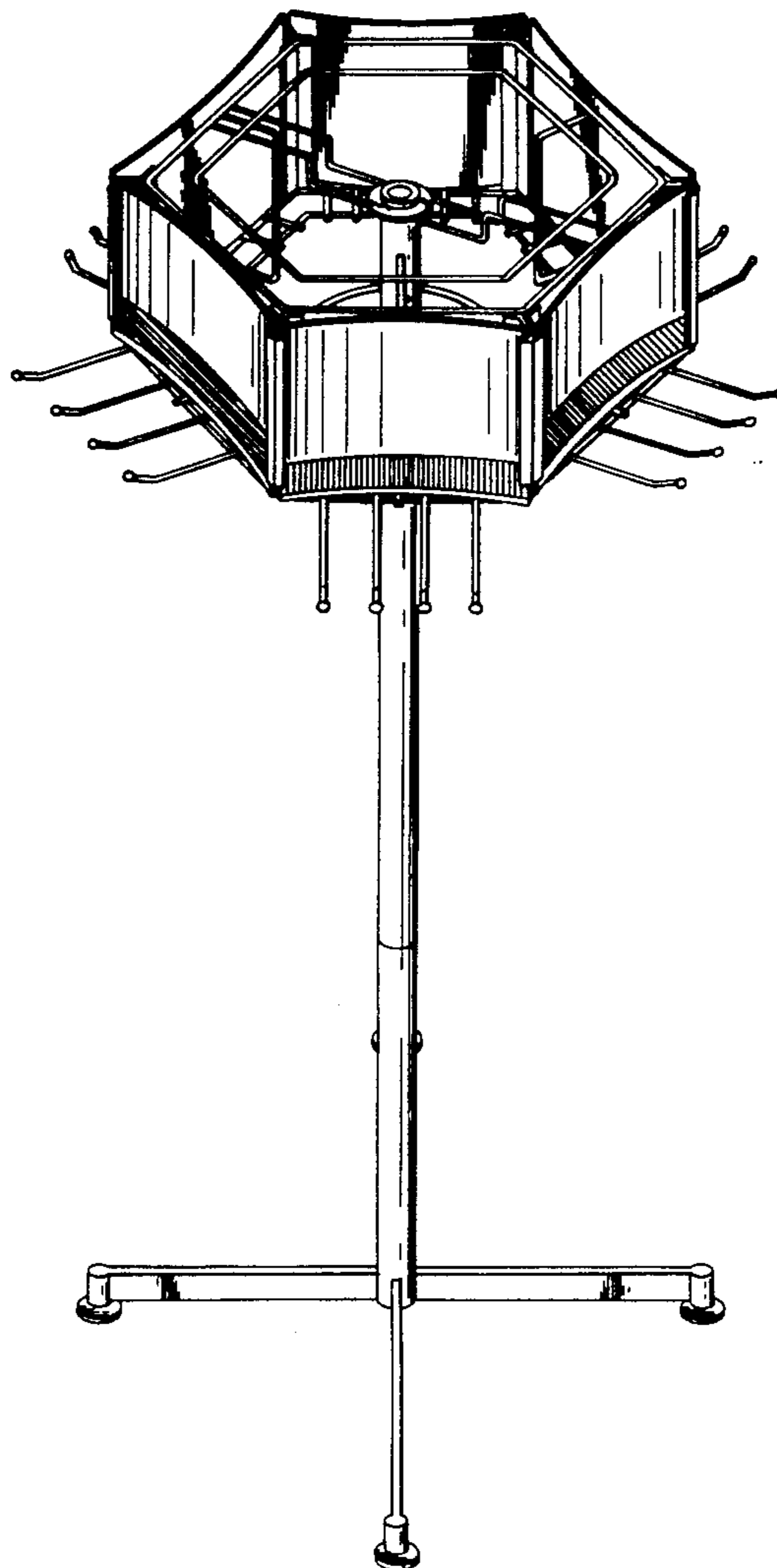
Primary Examiner—Bernard Ansher
Assistant Examiner—B. J. Bullock
Attorney, Agent, or Firm—A. D. Caesar

[57] **CLAIM**

The ornamental design for belt display fixture, substantially as shown and described.

DESCRIPTION

FIG. 1 is a rear perspective view of a belt display fixture showing my new design;
 FIG. 2 is a front elevational view thereof, taken from the side opposite that shown in FIG. 1;
 FIG. 3 is a top plan view thereof; and
 FIG. 4 is a bottom plan view thereof.
 The shading on the six-sided element in FIG. 1 indicates the colors blue, red and green, respectively, in viewing from left to right. The shading on the six-sided element shown in FIG. 2 indicates the colors yellow, black and brown, respectively, in viewing from left to right.



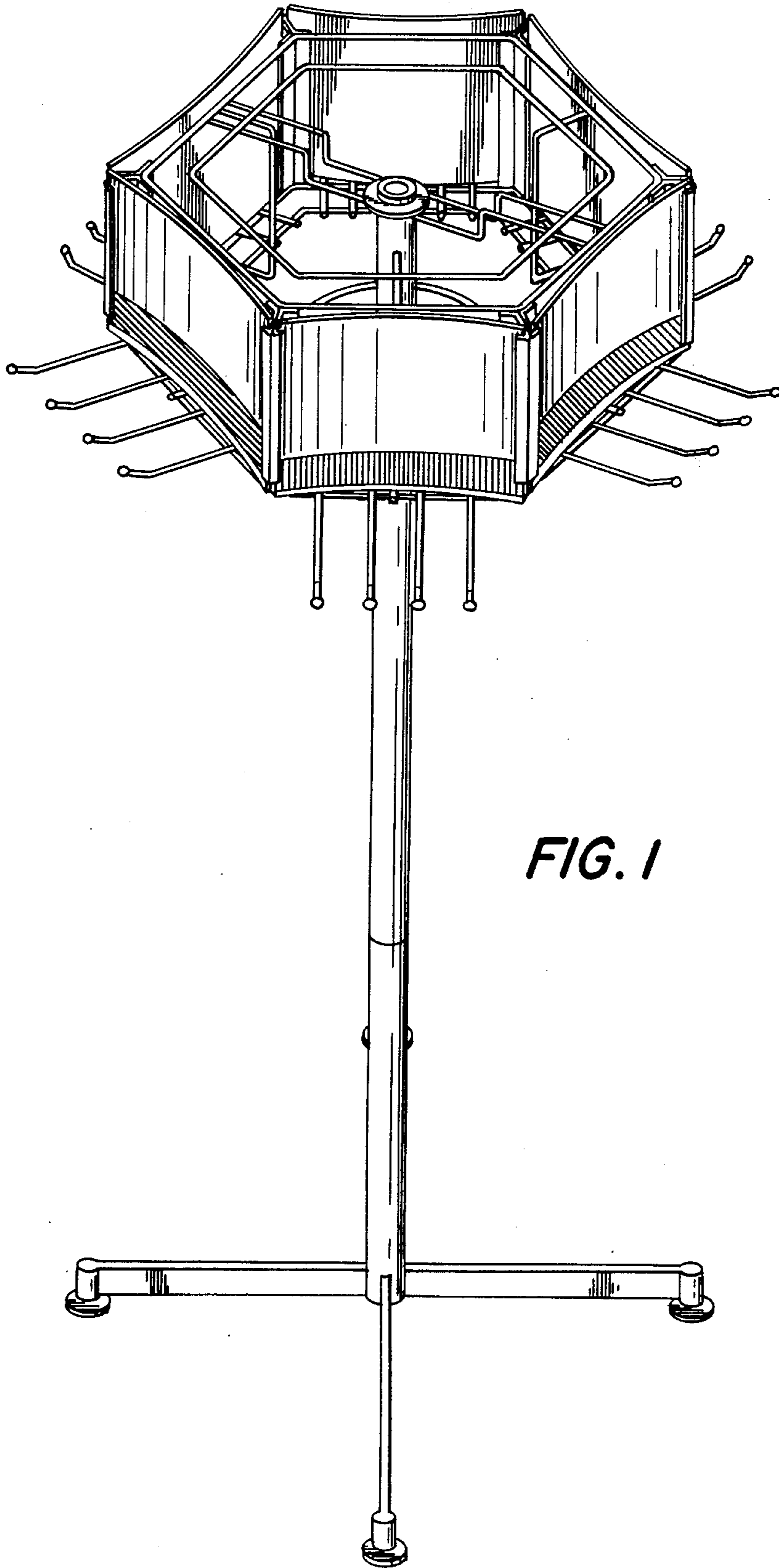
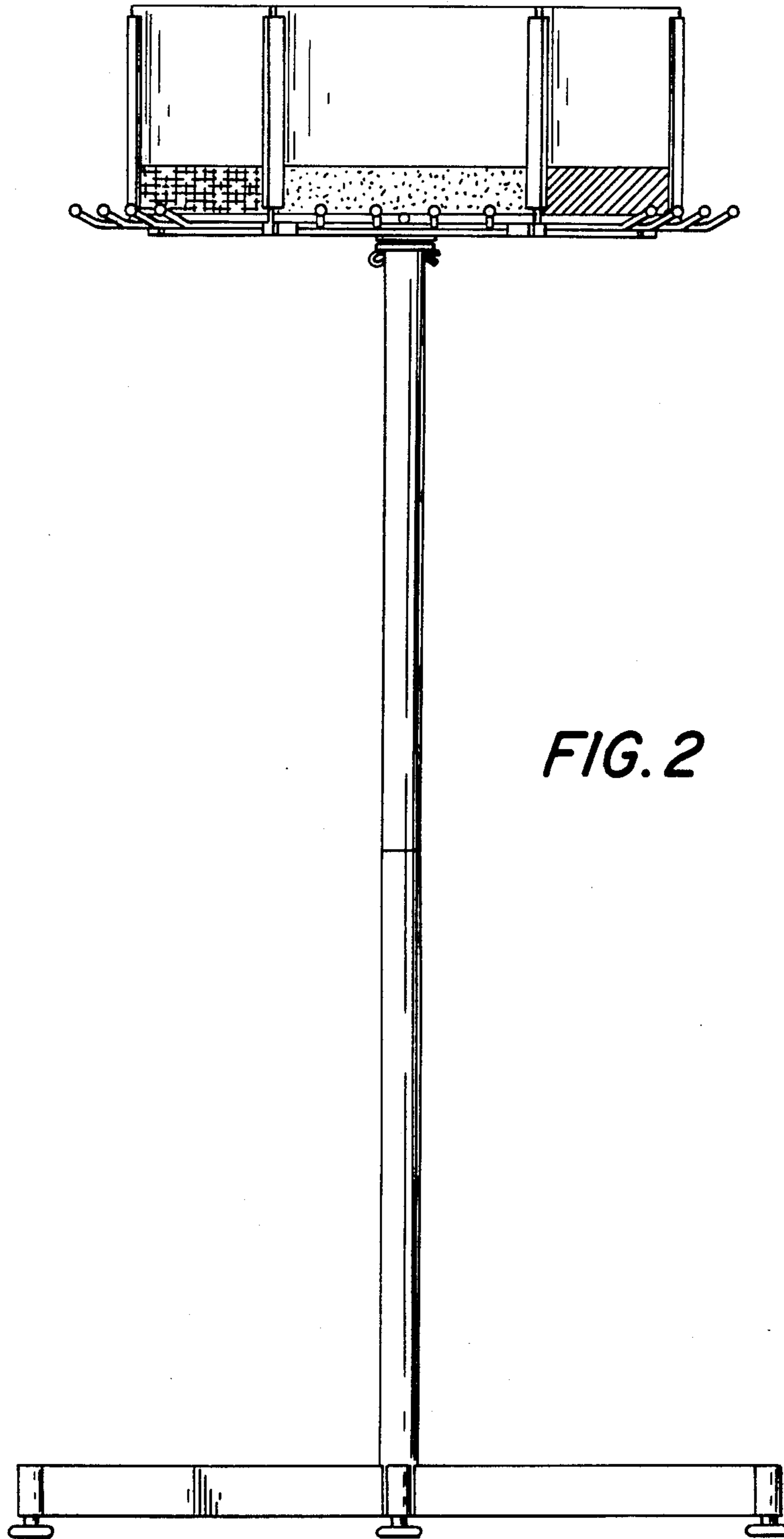


FIG. 1



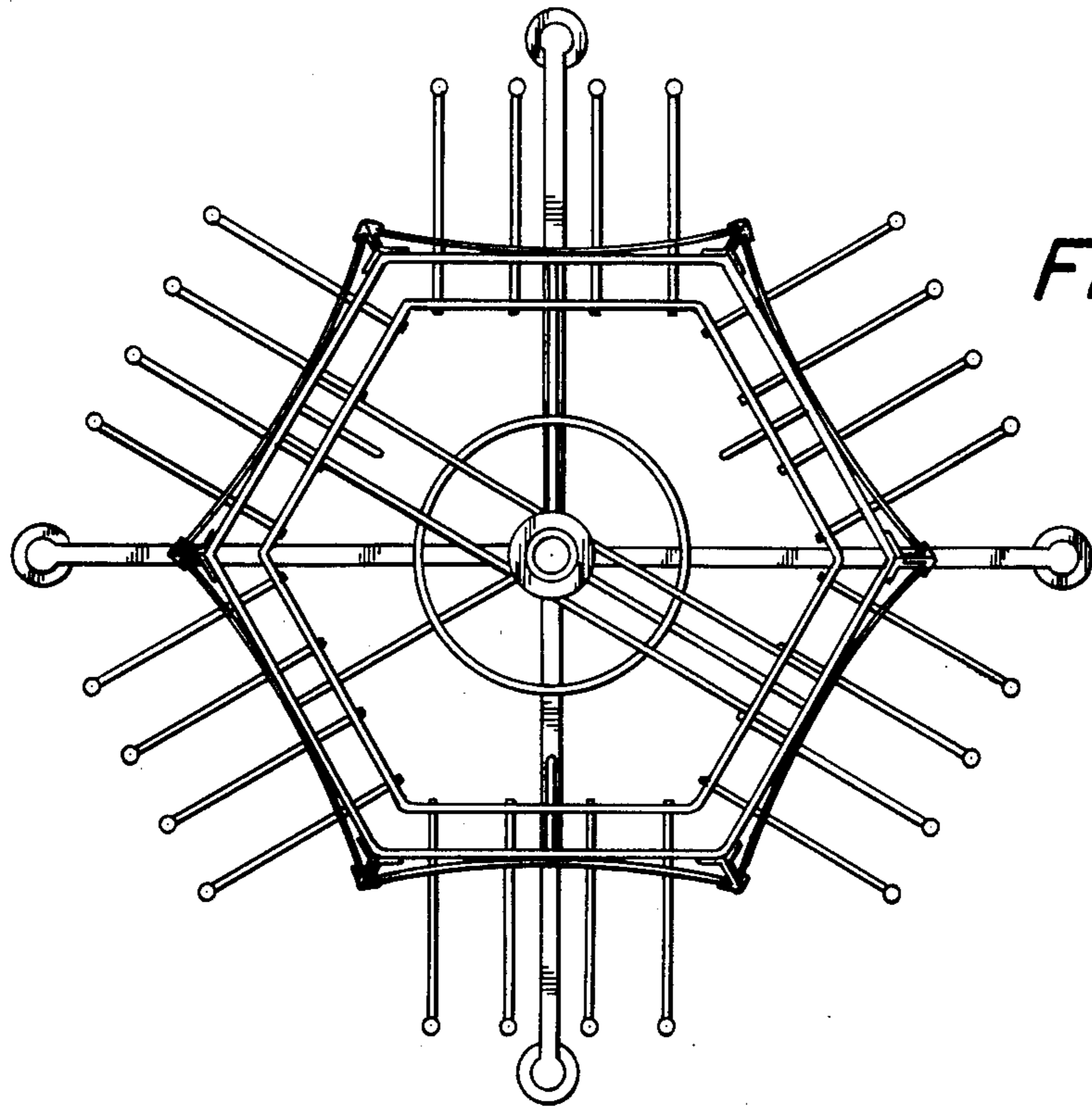


FIG. 3

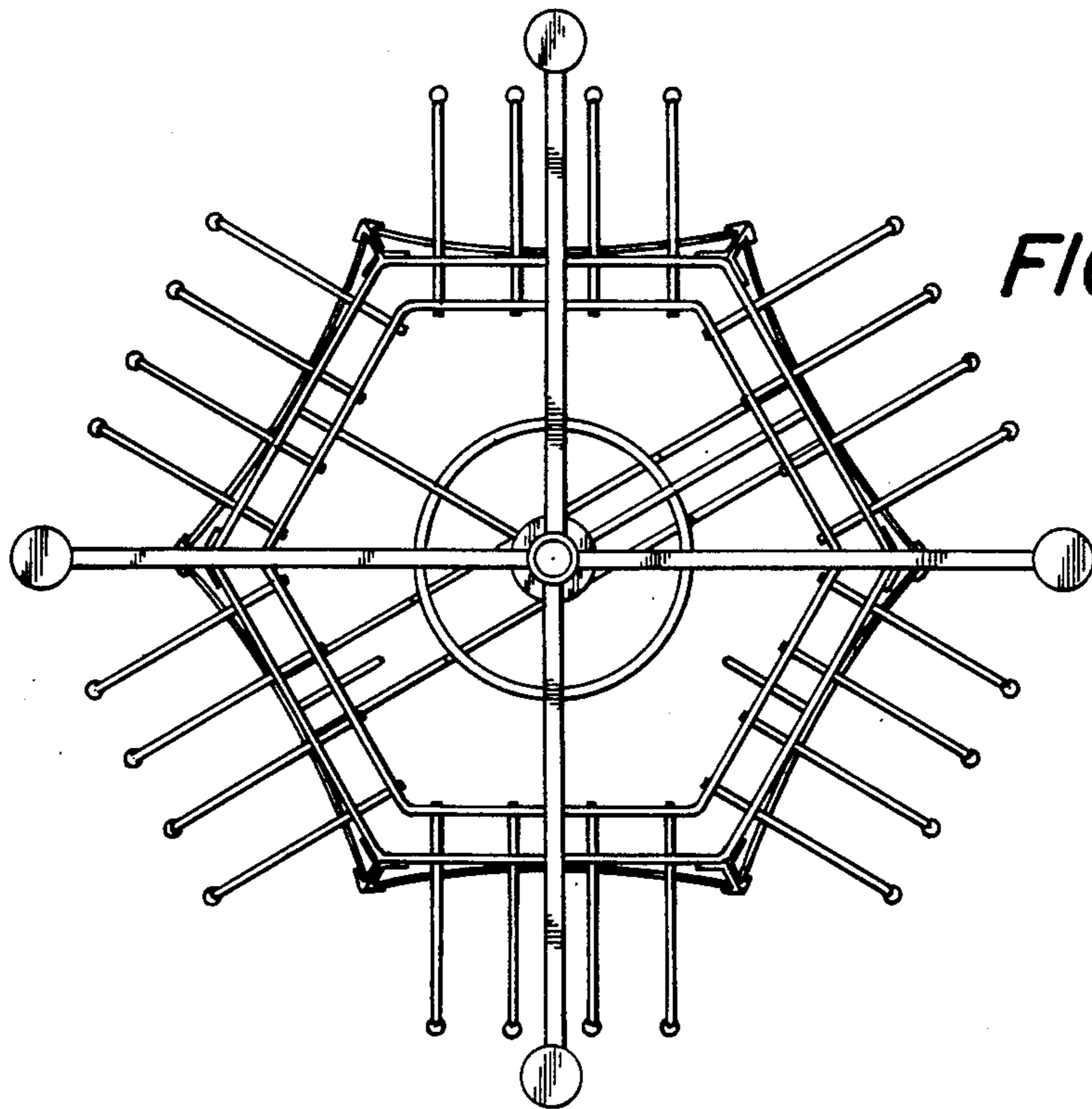


FIG. 4