

[54] **MERCHANDISE DISPLAY STAND**

3,243,047 3/1966 Witteborg ..... 211/163

[75] Inventor: **Robert O. Wilks**, Knoxville, Tenn.

*Primary Examiner*—Wallace R. Burke

[73] Assignee: **Benco Industries, Inc.**, Knoxville, Tenn.

*Assistant Examiner*—B. J. Bullock

*Attorney, Agent, or Firm*—William E. Anderson

[\*\*] Term: **14 Years**

[57] **CLAIM**

[21] Appl. No.: **837,594**

The ornamental design of a merchandise display stand, as shown and described.

[22] Filed: **Sep. 28, 1977**

**DESCRIPTION**

[51] Int. Cl. .... **D20—02**

FIG. 1 is a perspective view of a merchandise display stand showing my new design;

[52] U.S. Cl. .... **D6/23; D6/25; D6/28; D6/157; D6/186**

FIG. 2 is a front elevational view thereof, the rear being identical;

[58] Field of Search ..... **D6/20, 23-25, D6/27-29, 85, 188, 186, 157; 211/13, 163, 132, 134, 135**

FIG. 3 is a side elevational view thereof, the side opposite being identical;

FIG. 4 is a top plan view thereof; and

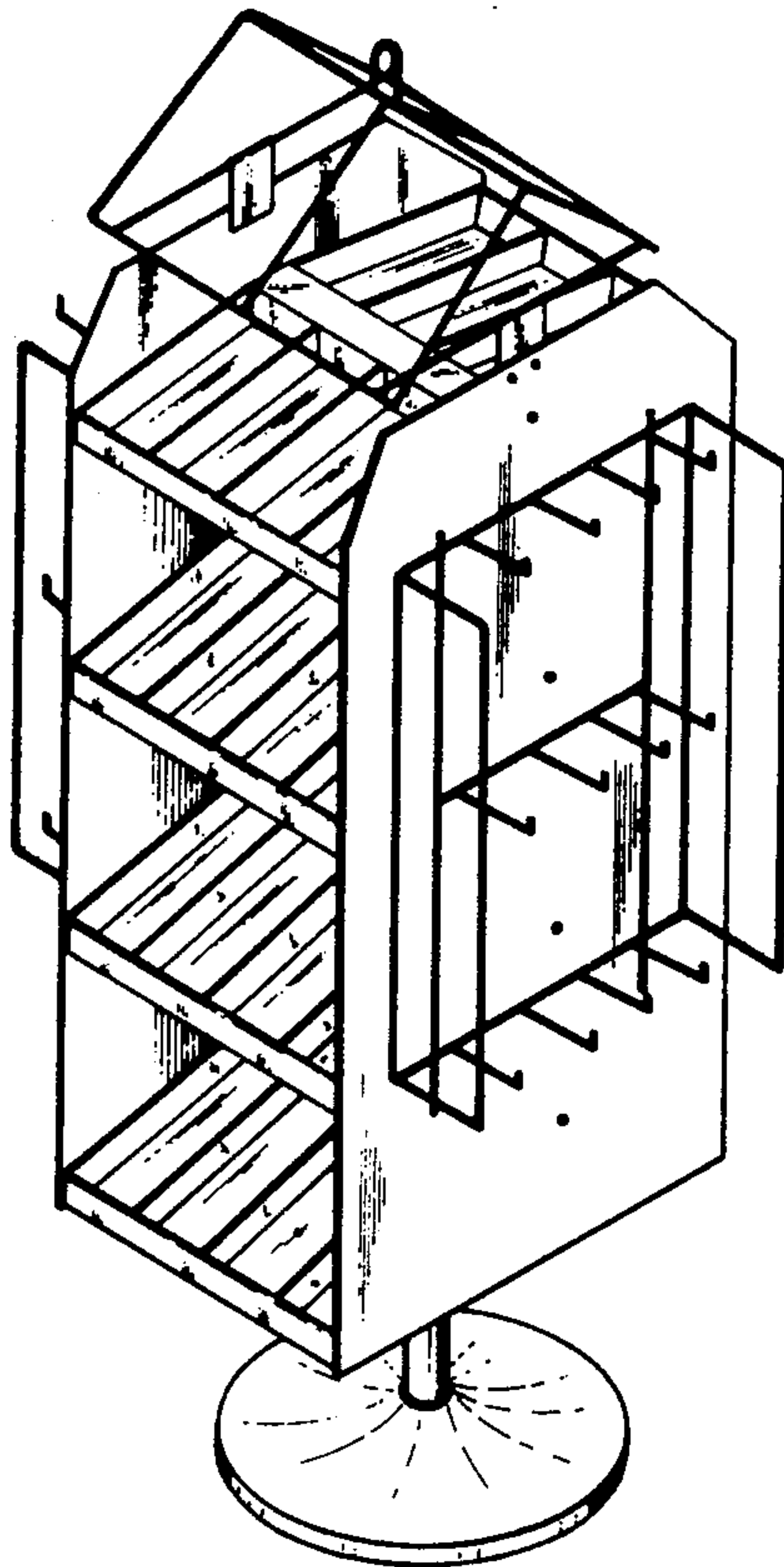
FIG. 5 is a bottom plan thereof.

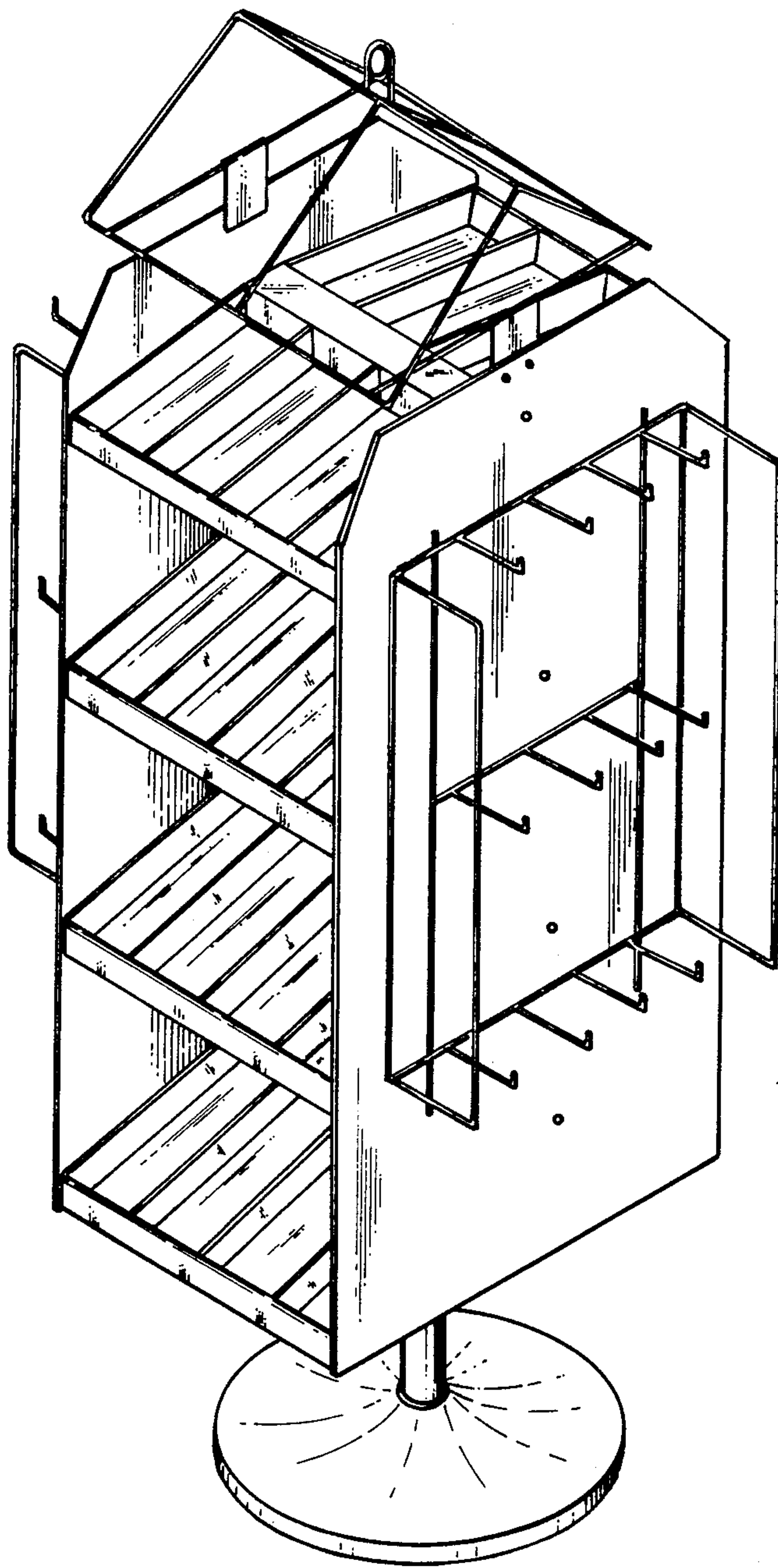
[56] **References Cited**

**U.S. PATENT DOCUMENTS**

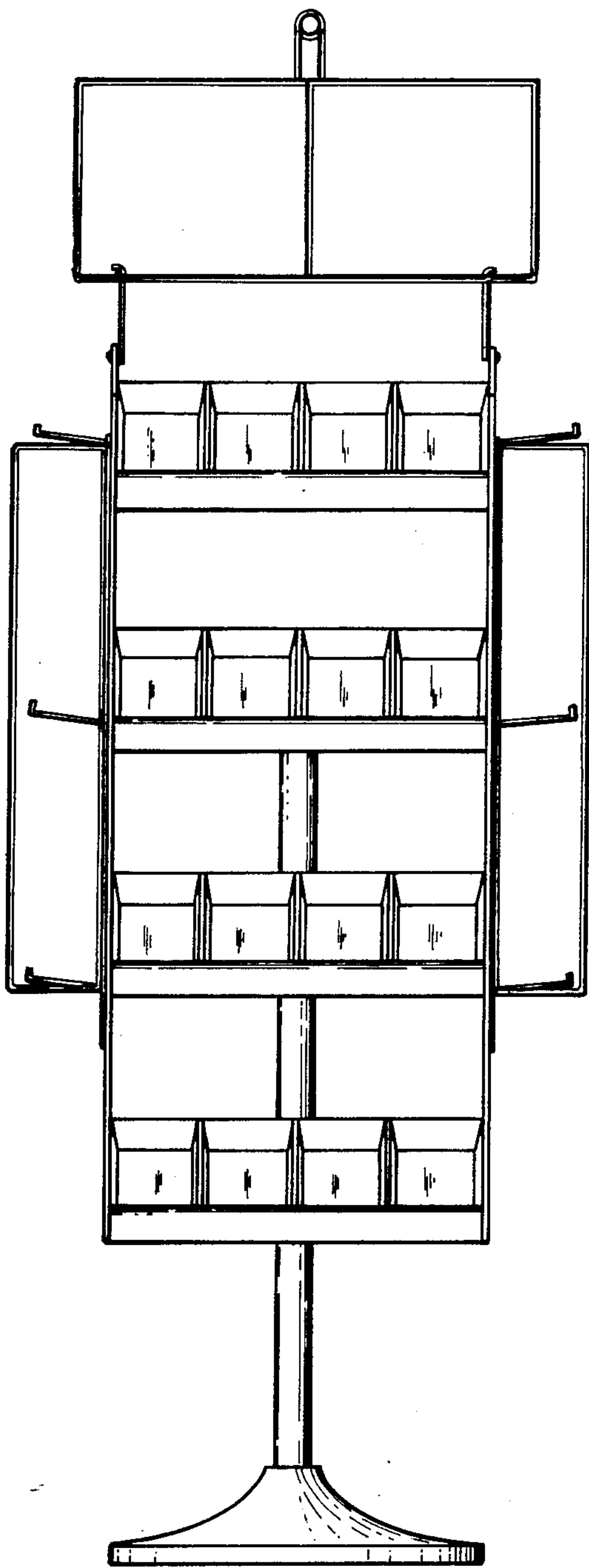
- D. 110,498 7/1938 Ritchie ..... D6/23
- D. 153,241 3/1949 Stensgaard ..... D6/188

The rear elevational view of the display stand is identical to the front elevational view shown in FIG. 2, and the side elevational view opposite that shown in FIG. 3 is identical to the view shown in FIG. 3.

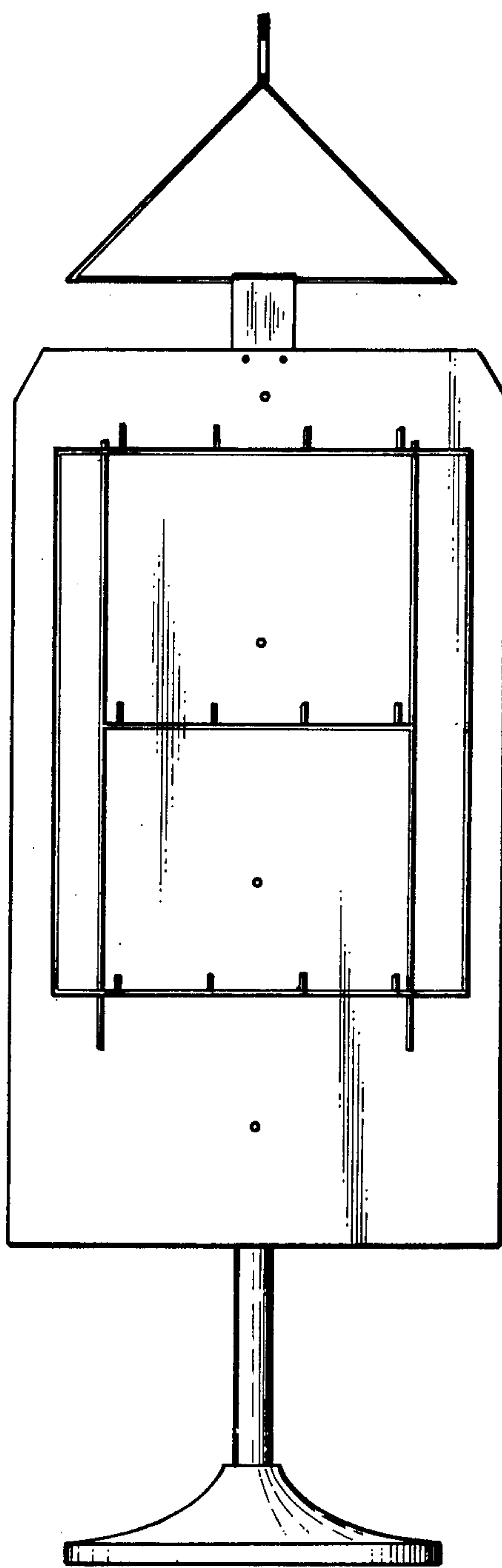




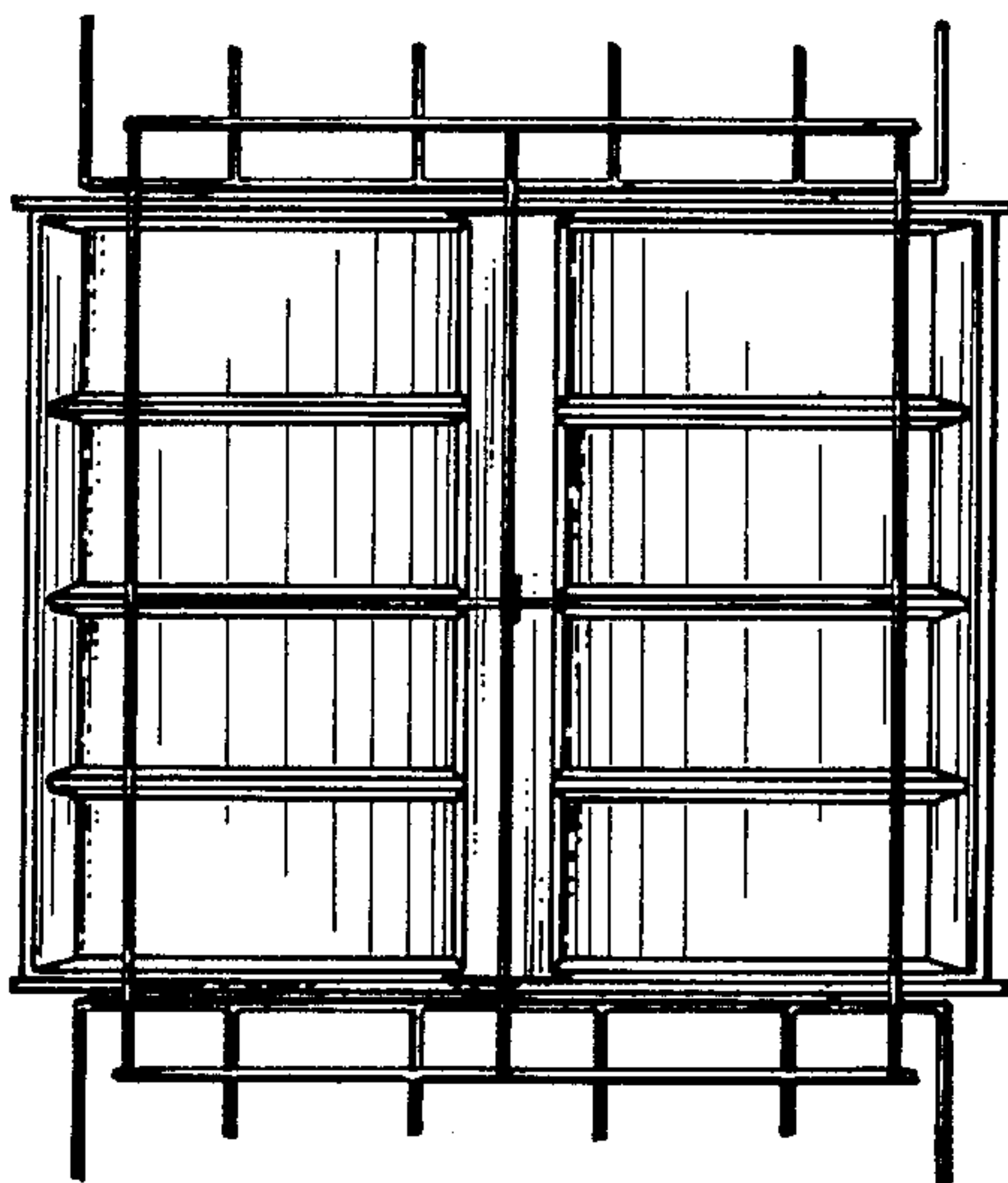
**Fig. 1**



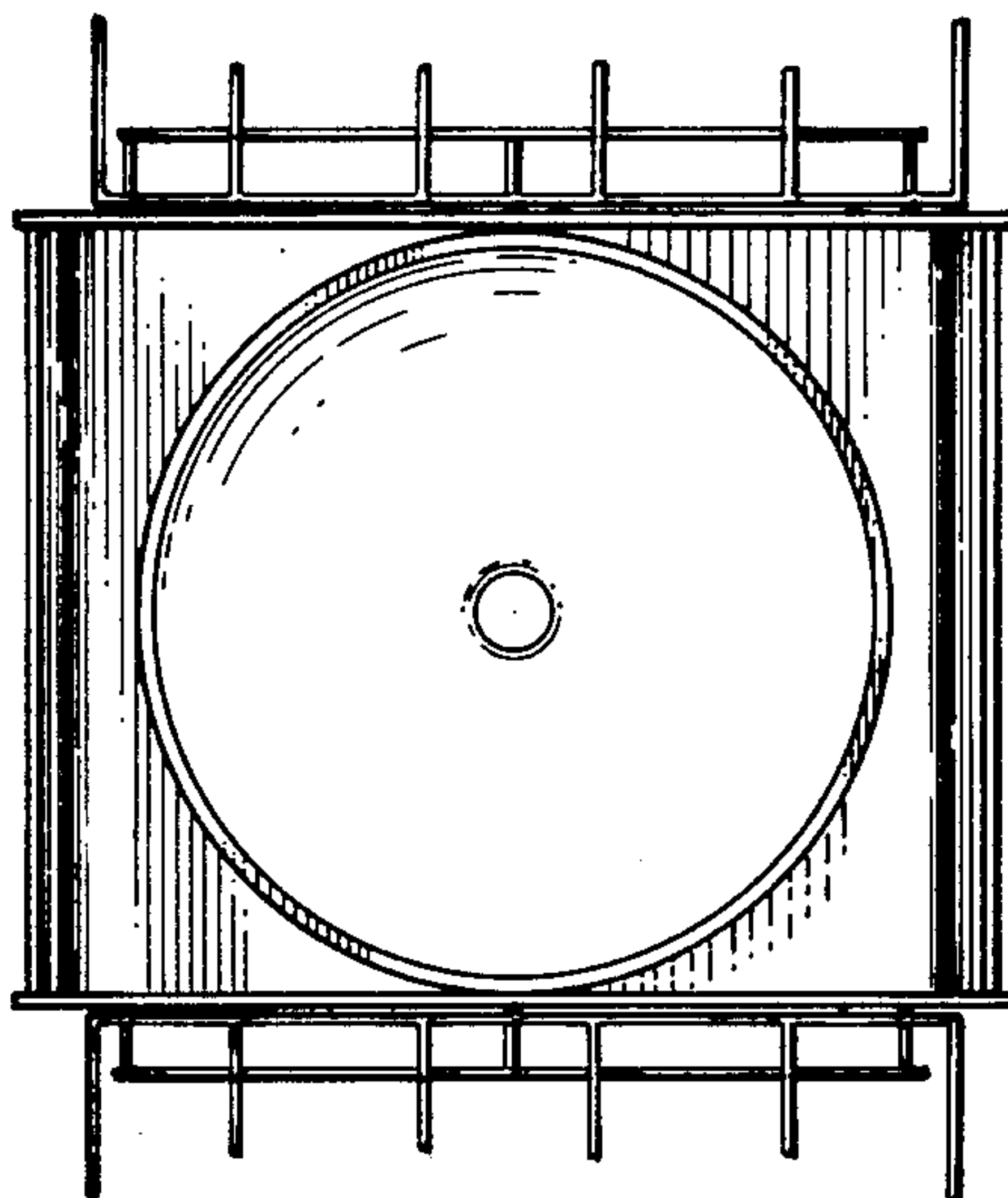
**Fig. 2**



**Fig. 3**



**Fig. 4**



**Fig. 5**