

[54] CONNECTOR TONGUE BLOCK

[76] Inventor: Richard H. Frost, 4900 Larkspur, Littleton, Colo. 80123

[**] Term: 14 Years

[21] Appl. No.: 871,126

[22] Filed: Jan. 20, 1978

[51] Int. Cl. D02-99

[52] U.S. Cl. D2/408

[58] Field of Search D2/405, 408, 451; 24/230 AT, 230 AL, 230 A; 297/388, 389

[56] References Cited

U.S. PATENT DOCUMENTS

| | | | |
|-----------|---------|-------------------|-----------|
| 1,548,023 | 8/1925 | Cowell | 24/230 AT |
| 3,203,065 | 8/1965 | Hoppenstand | 24/230 AL |
| 3,277,548 | 10/1966 | Fisher | 24/230 A |

| | | | |
|-----------|---------|-------------------|-----------|
| 3,364,531 | 1/1968 | Moss | 24/230 A |
| 3,884,436 | 5/1975 | Poehlmann | 24/230 AL |
| 3,986,234 | 10/1976 | Frost et al. | 24/230 AT |

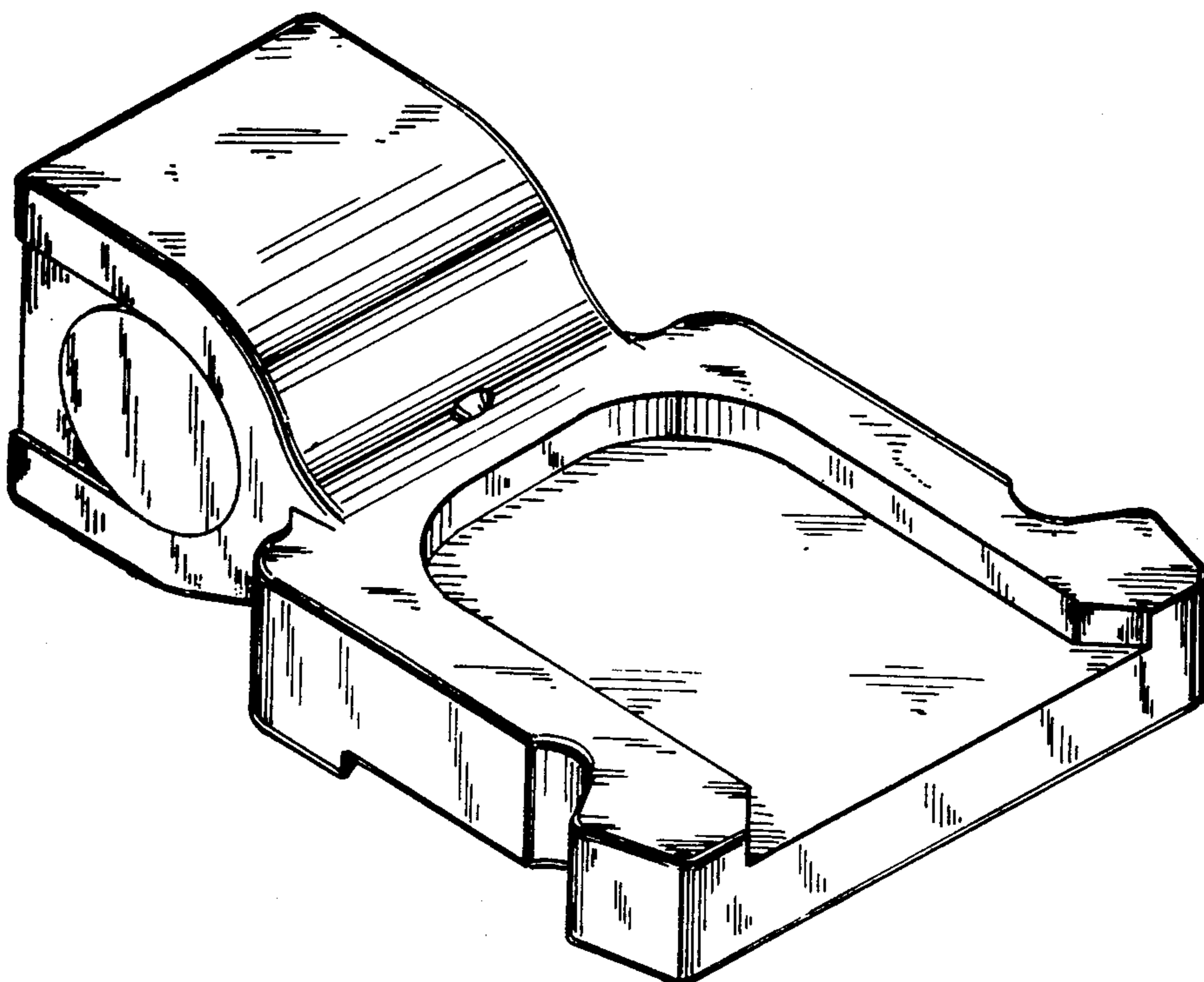
Primary Examiner—Joel Stearman
Assistant Examiner—Carmen H. Vales
Attorney, Agent, or Firm—Ralph F. Crandell

[57] CLAIM

The ornamental design for a connector tongue block, as shown and described.

DESCRIPTION

FIG. 1 is a perspective view of a connector tongue block, showing my new design;
FIG. 2 is a top plan view thereof;
FIG. 3 is a bottom plan view thereof;
FIG. 4 is a left side elevational view thereof, the right side being a mirror image;
FIG. 5 is a front elevational view thereof;
FIG. 6 is a rear elevational view thereof.



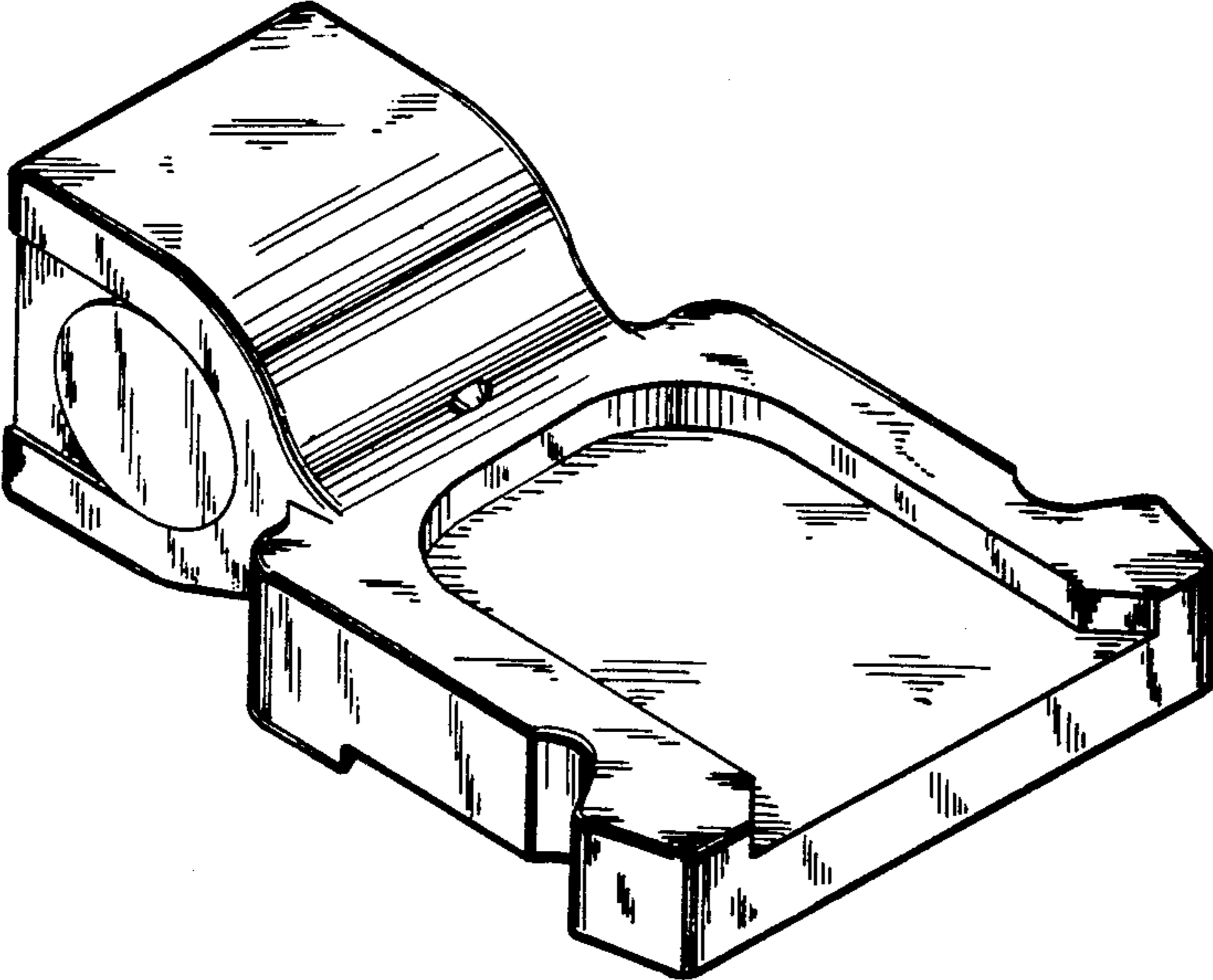


Fig-1

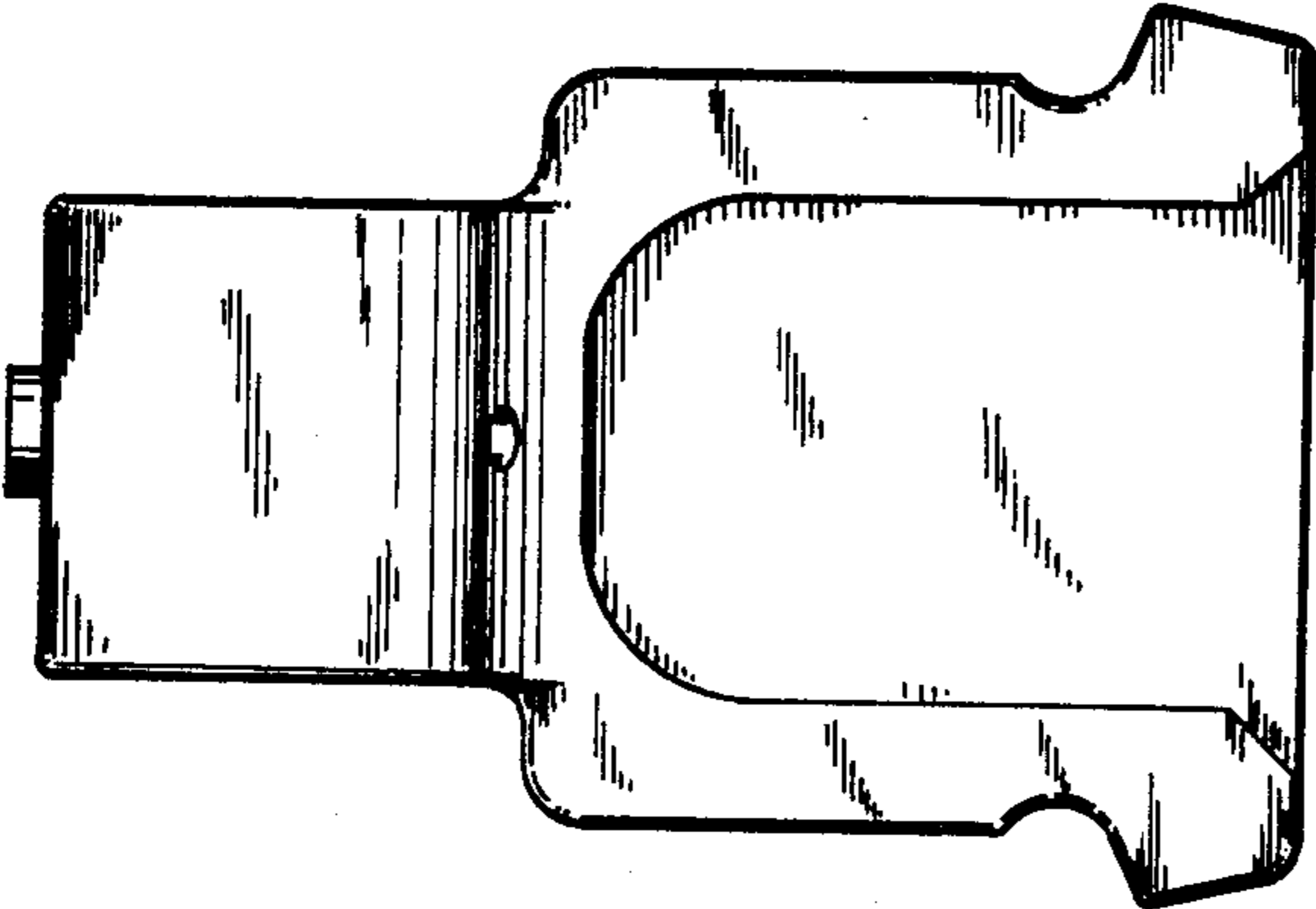


Fig-2

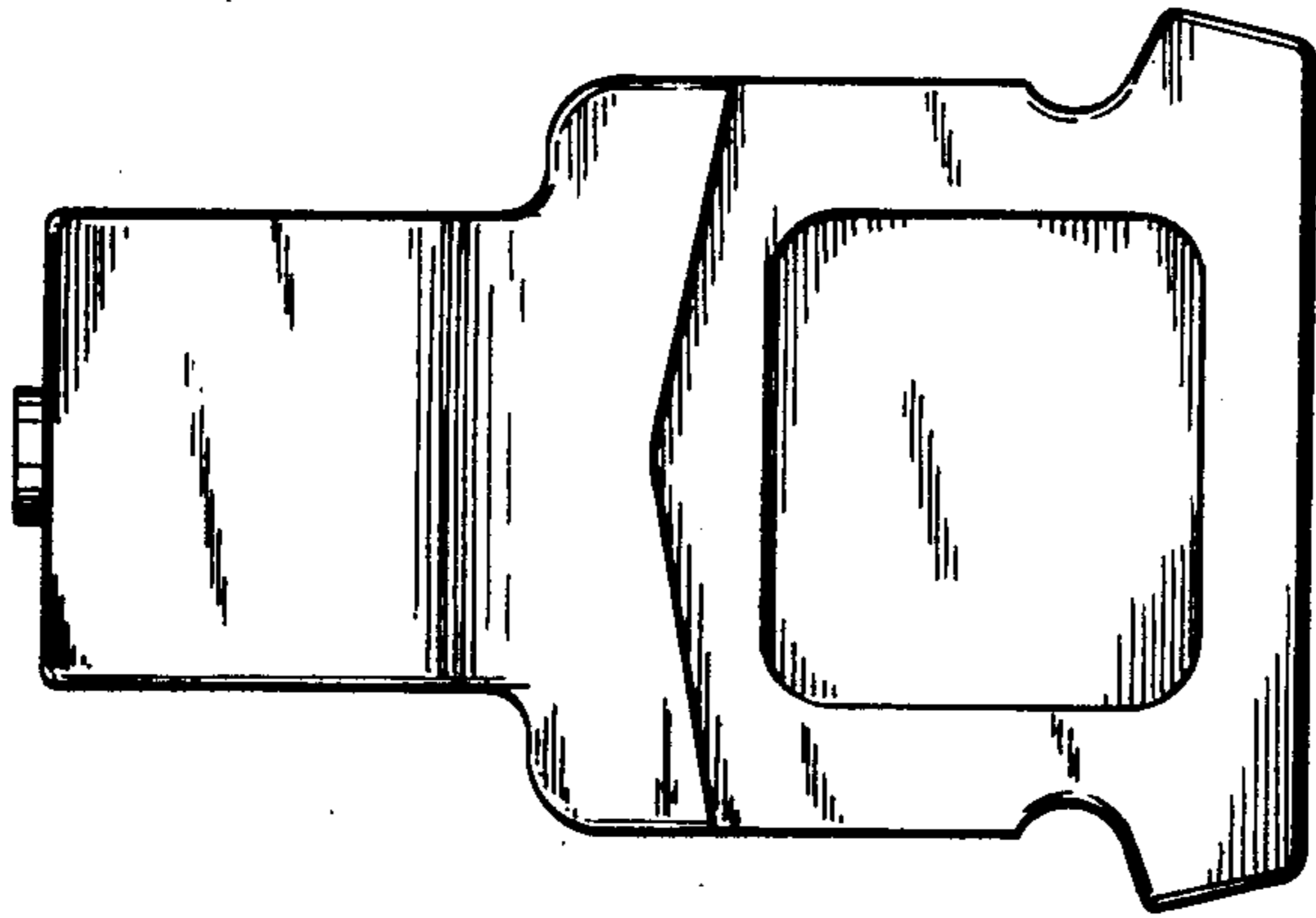


Fig-3

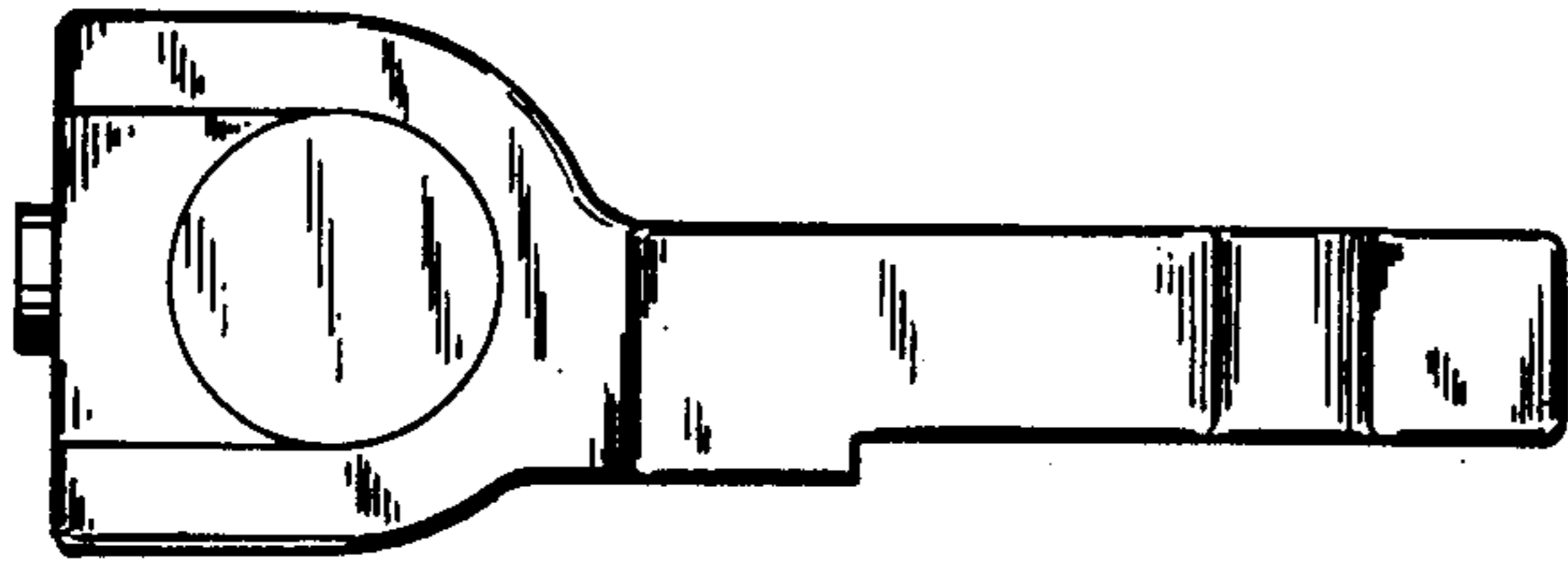


Fig-4

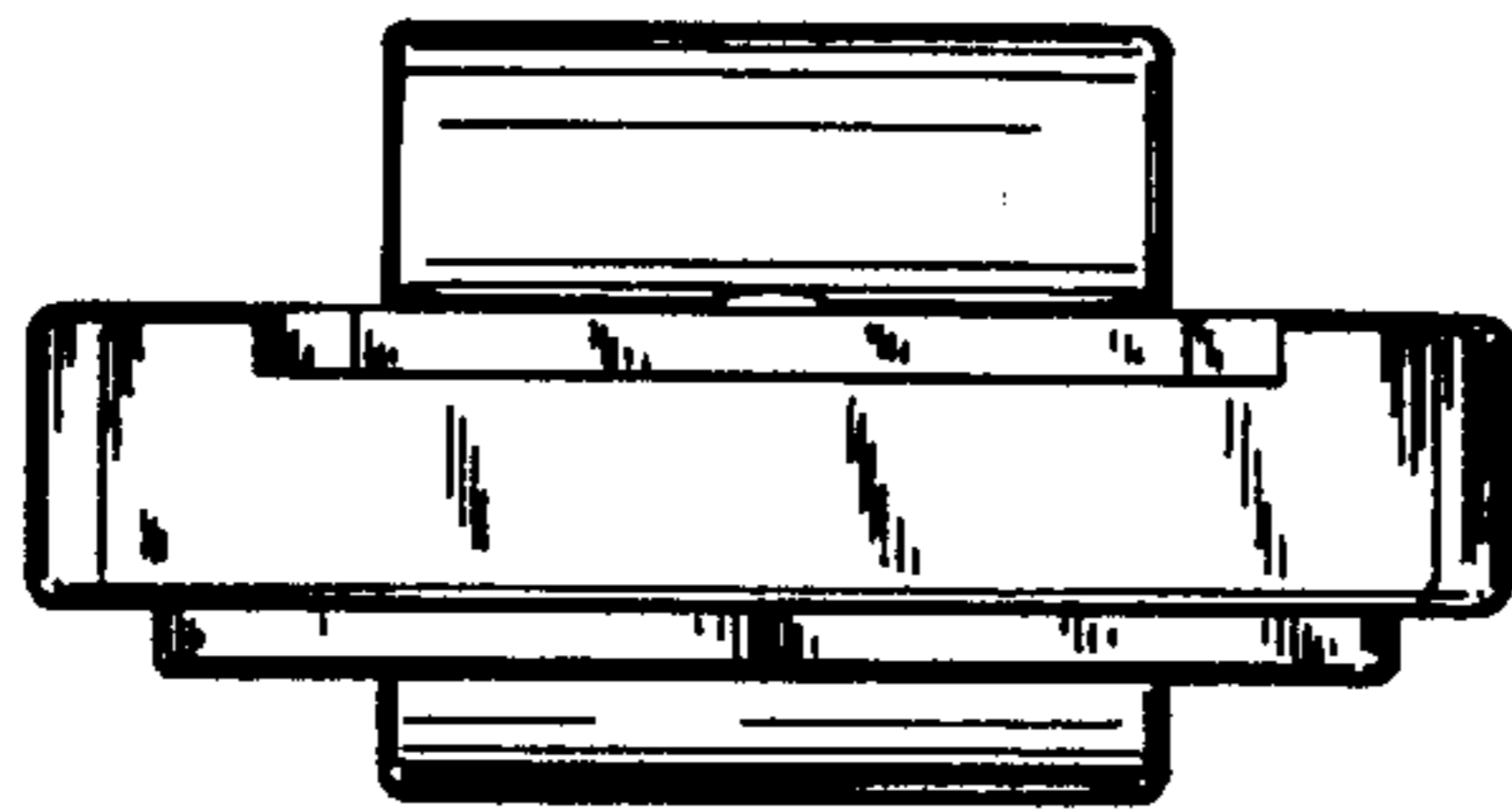


Fig-5

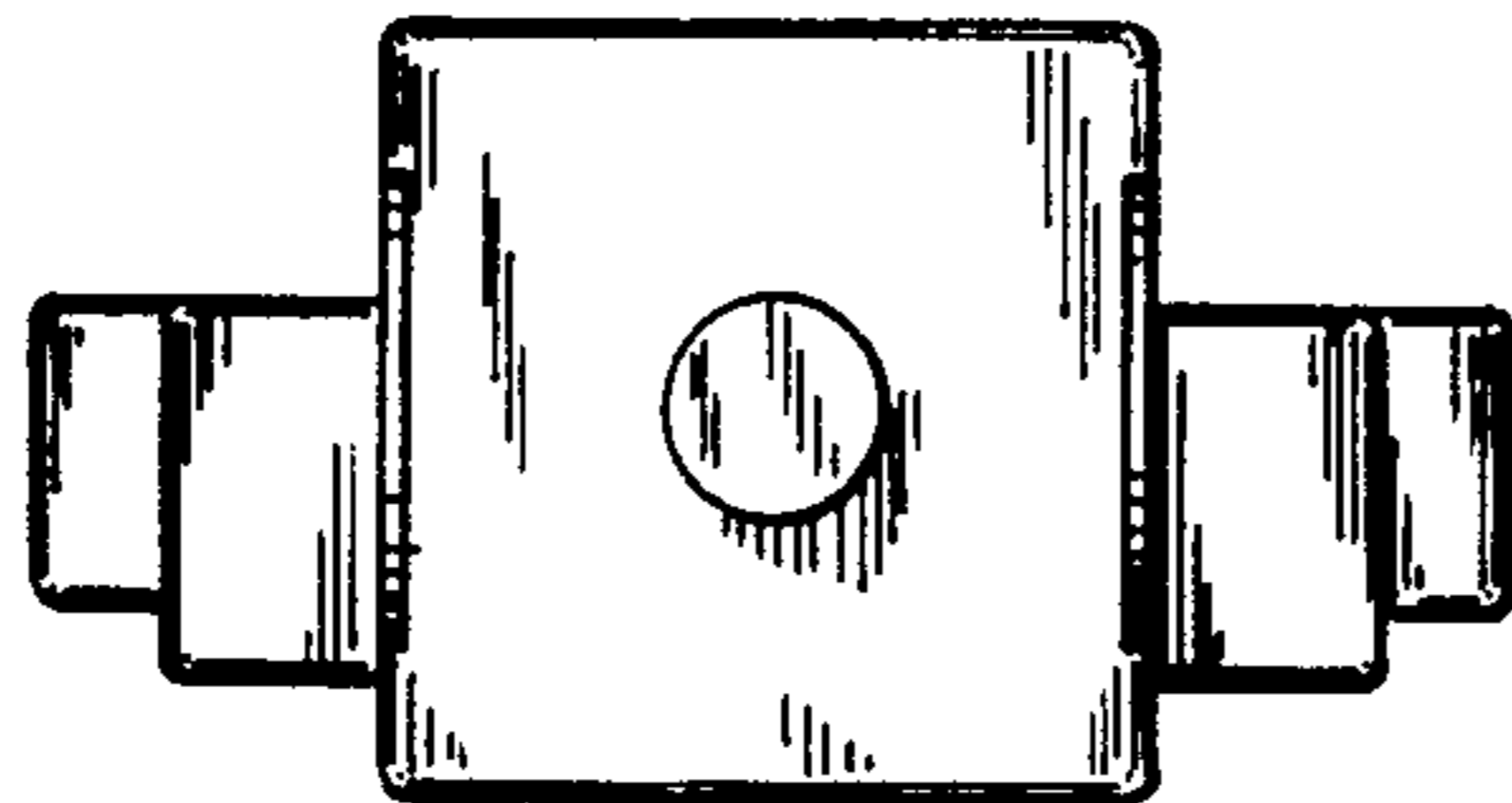


Fig-6