

[54] **FLUORESCENT LIGHT**

[75] Inventor: **Kenichi Shiibashi**, Tokyo, Japan

[73] Assignee: **Moriyama Sangyo Kabushiki Kaisha**,
Tokyo, Japan

[**] Term: **14 Years**

[21] Appl. No.: **855,261**

[22] Filed: **Dec. 20, 1977**

[30] **Foreign Application Priority Data**

May 28, 1977 [JP] Japan 52-20575

[51] Int. Cl. **D26-05**

[52] U.S. Cl. **D48/23 A**

[58] Field of Search **D48/33, 34, 23 A;**
362/216, 217, 220, 221, 222, 223, 224, 225;
313/312-318

[56] **References Cited**

U.S. PATENT DOCUMENTS

2,878,372 3/1959 Fry D48/23 A X

OTHER PUBLICATIONS

Light & Lighting, 1-1968, p. 25, Fluorescent Light
#G(left).

Light & Lighting, 5-1962, p. XIII, globe (top).

Primary Examiner—Susan J. Lucas

Attorney, Agent, or Firm—Davidson C. Miller

[57] **CLAIM**

The ornamental design for a fluorescent light, as
shown.

DESCRIPTION

FIG. 1 is a perspective view of the fluorescent light
showing my new design,

FIG. 2 is a top view of said fluorescent light,

FIG. 3-6 are front, back, right side and left side views,
respectively, of the fluorescent light,

FIG. 7 is a bottom view of the fluorescent light, and

FIG. 8 is a sectional view of said fluorescent light.

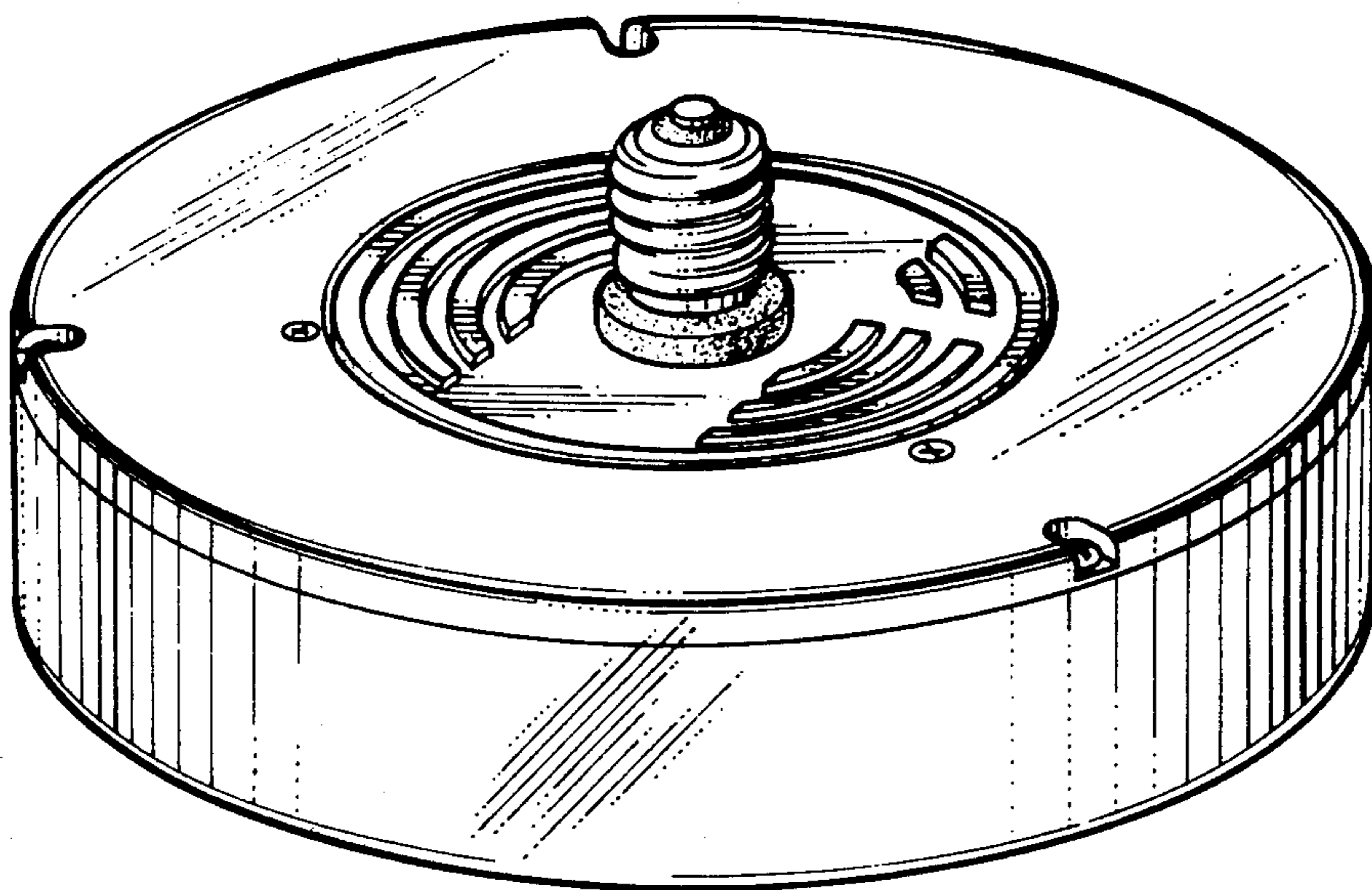


FIG. 1

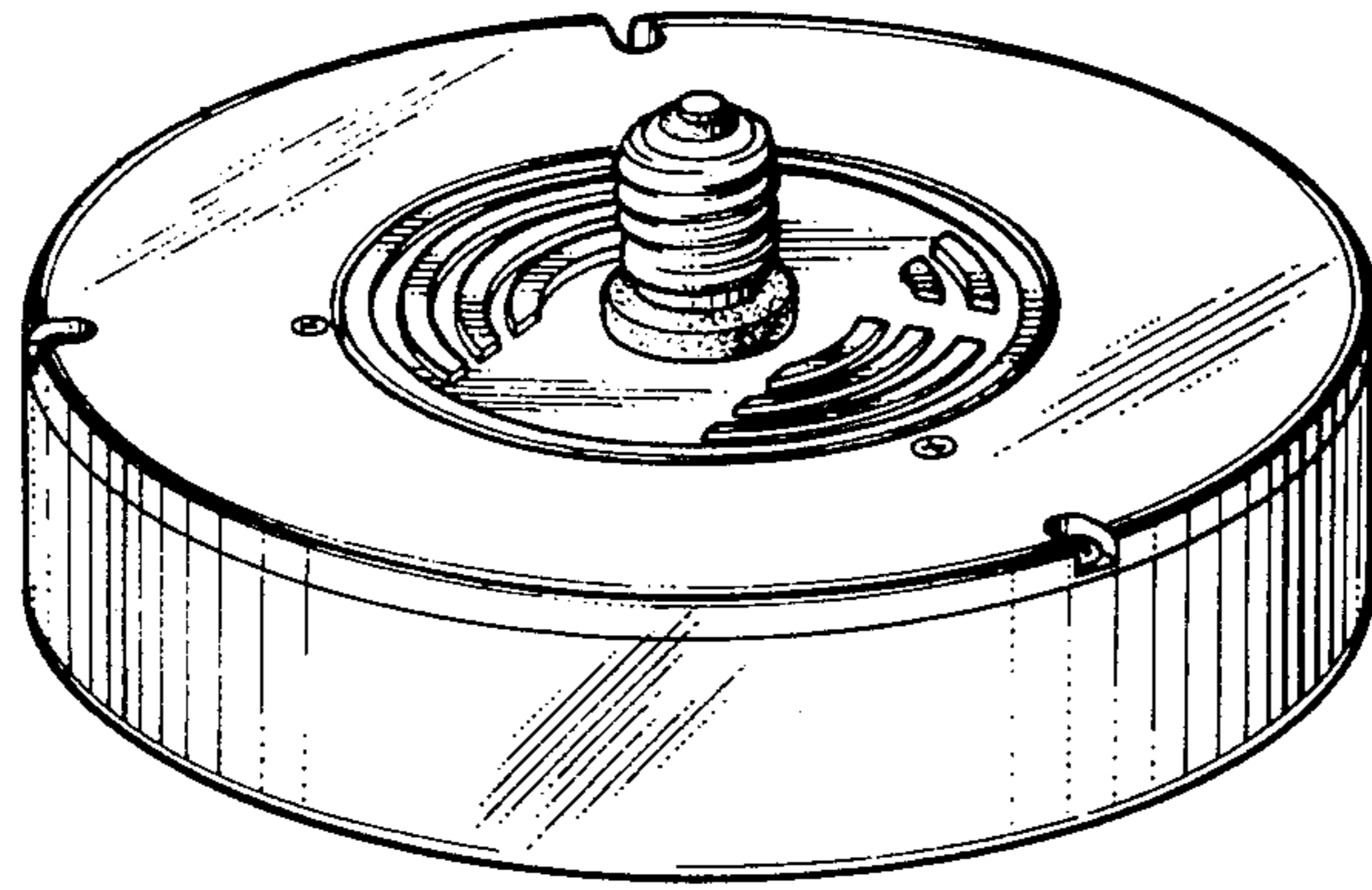


FIG. 2

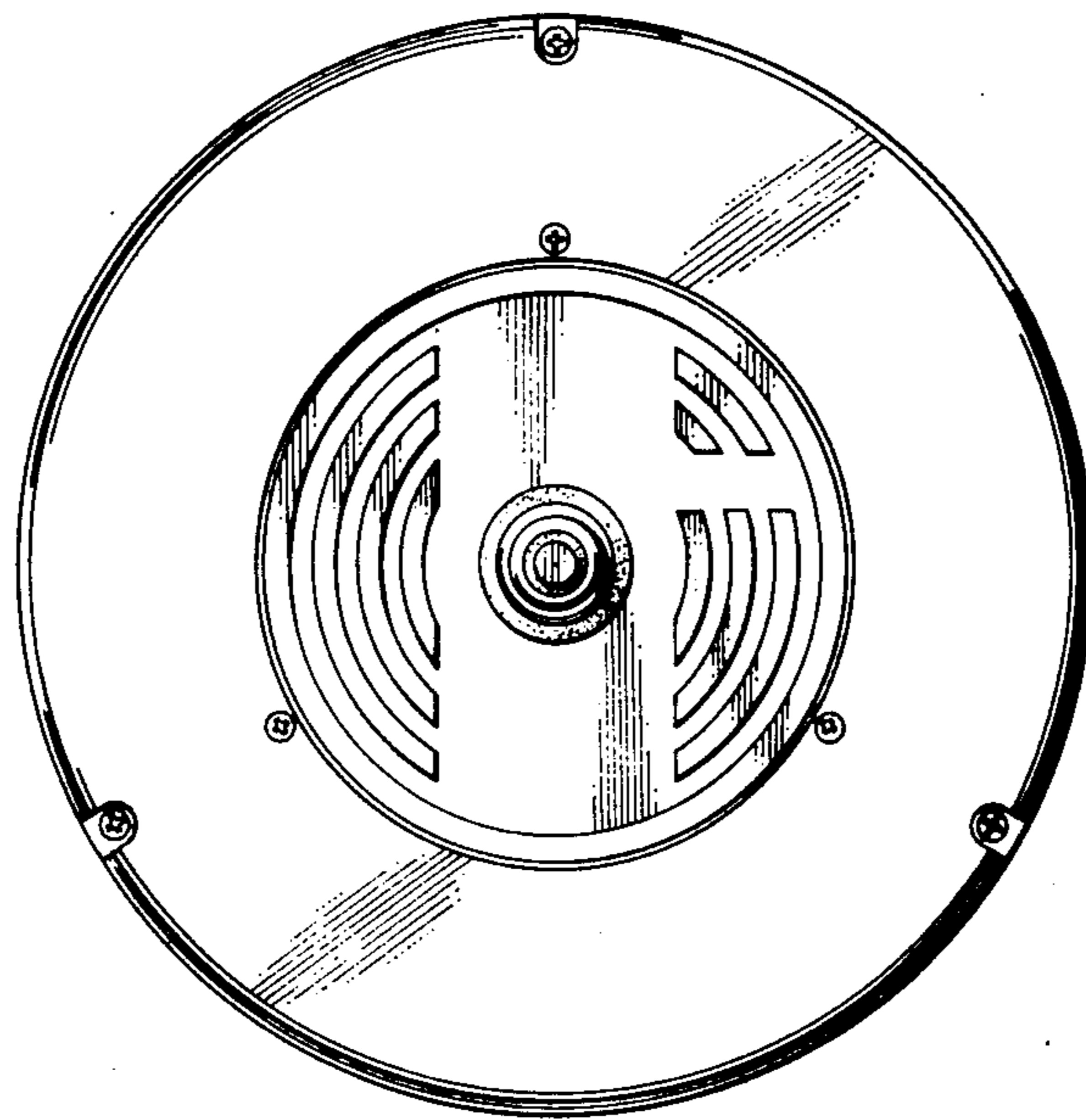


FIG. 3

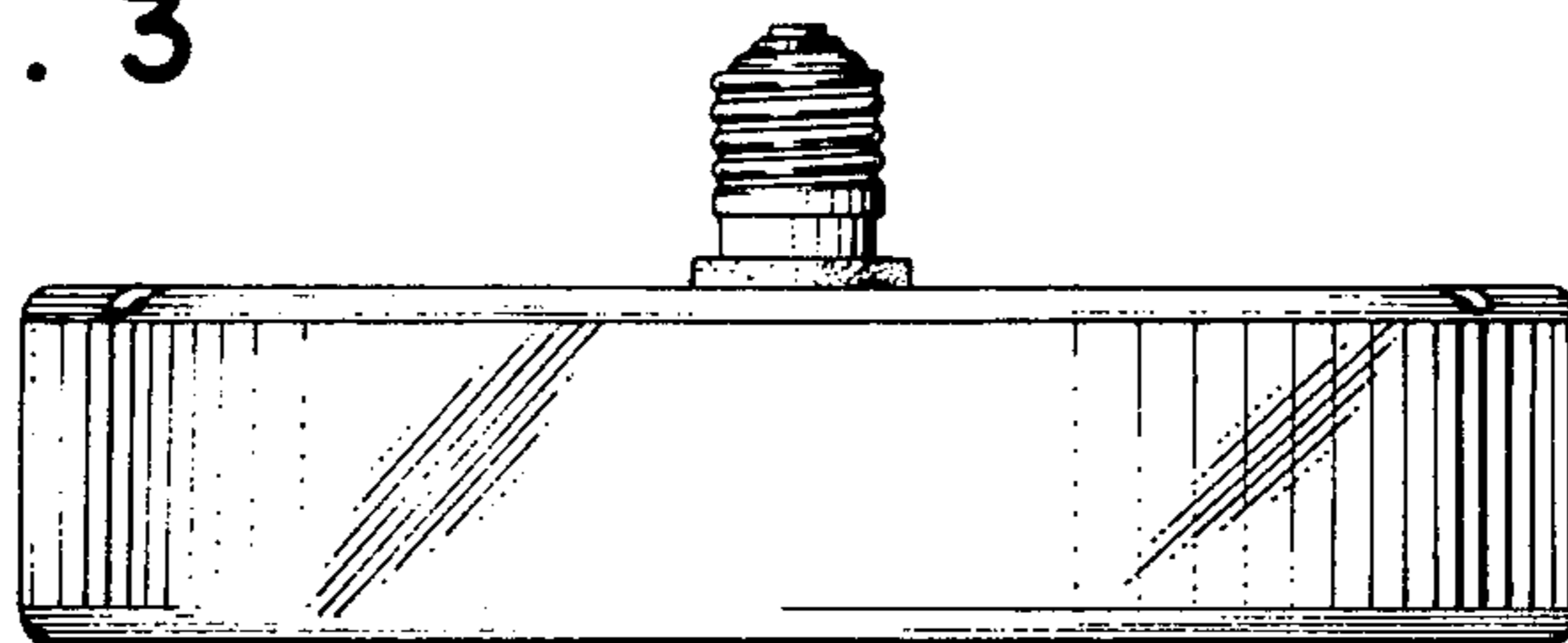


FIG. 4

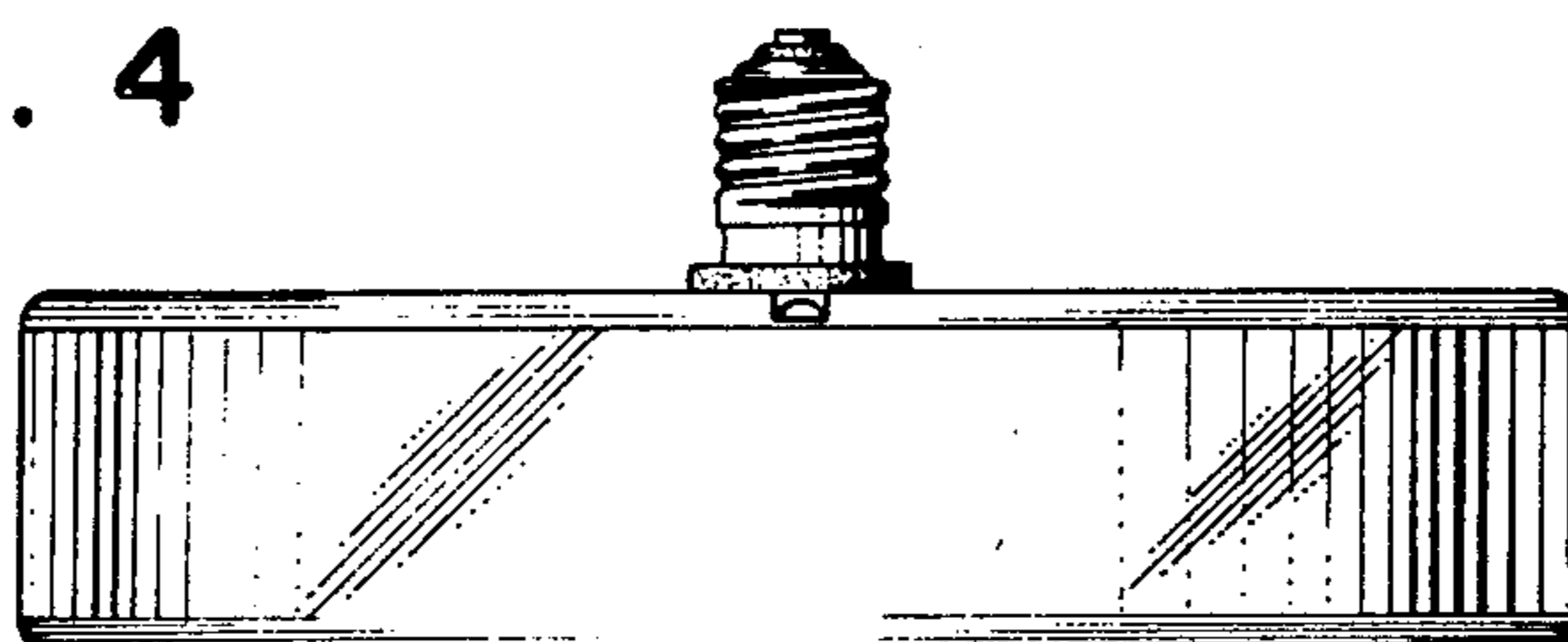


FIG. 5

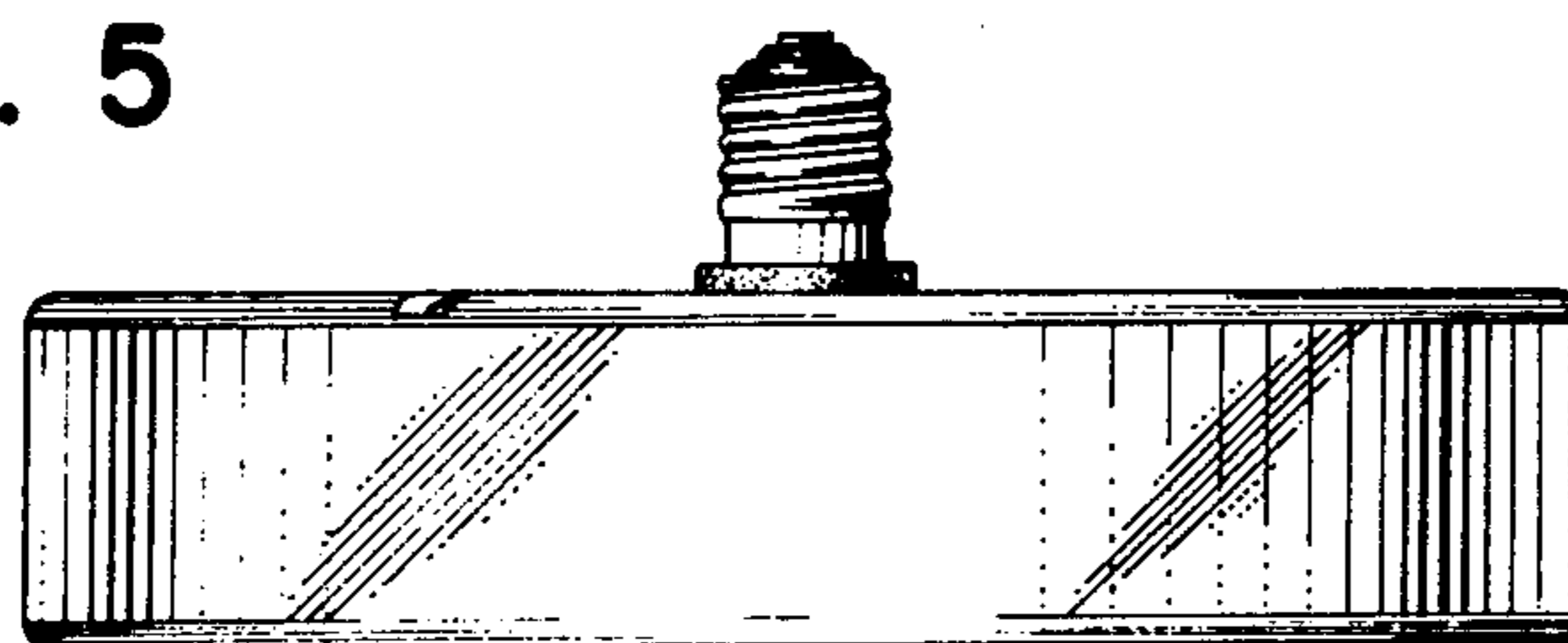


FIG. 6

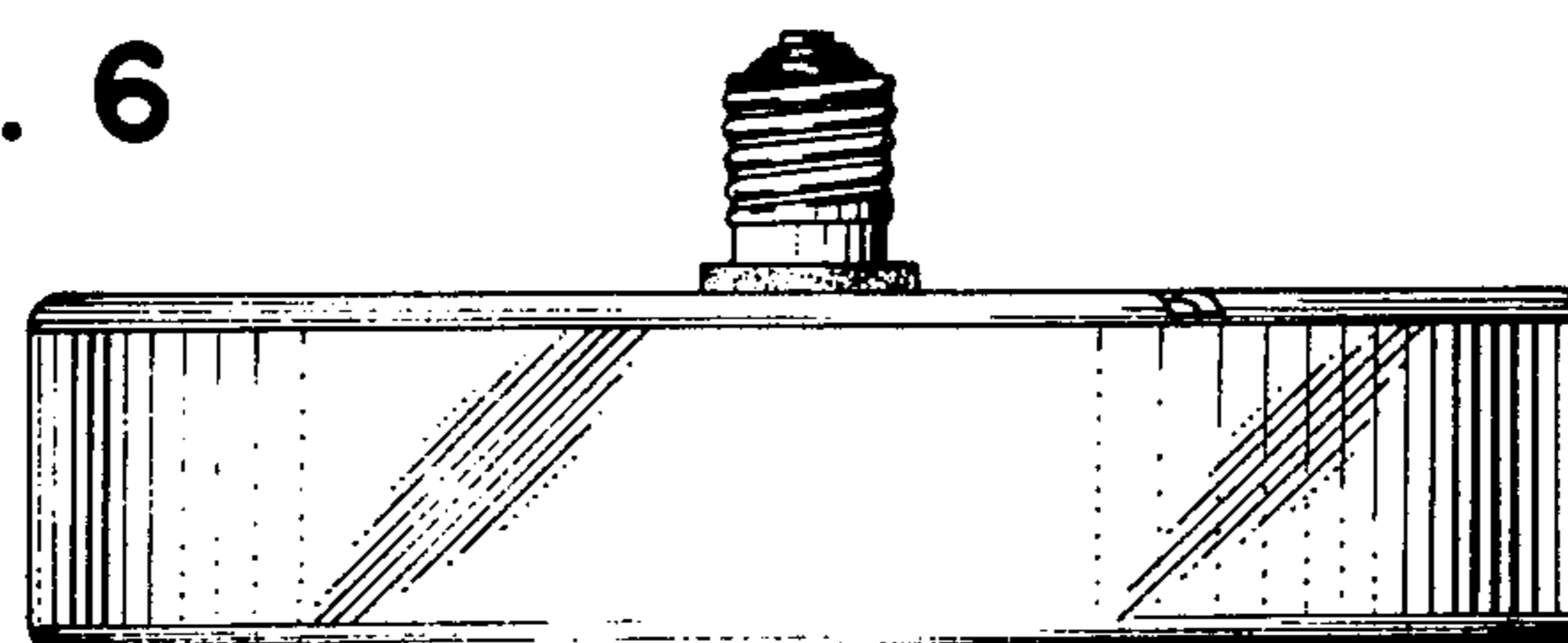


FIG. 7

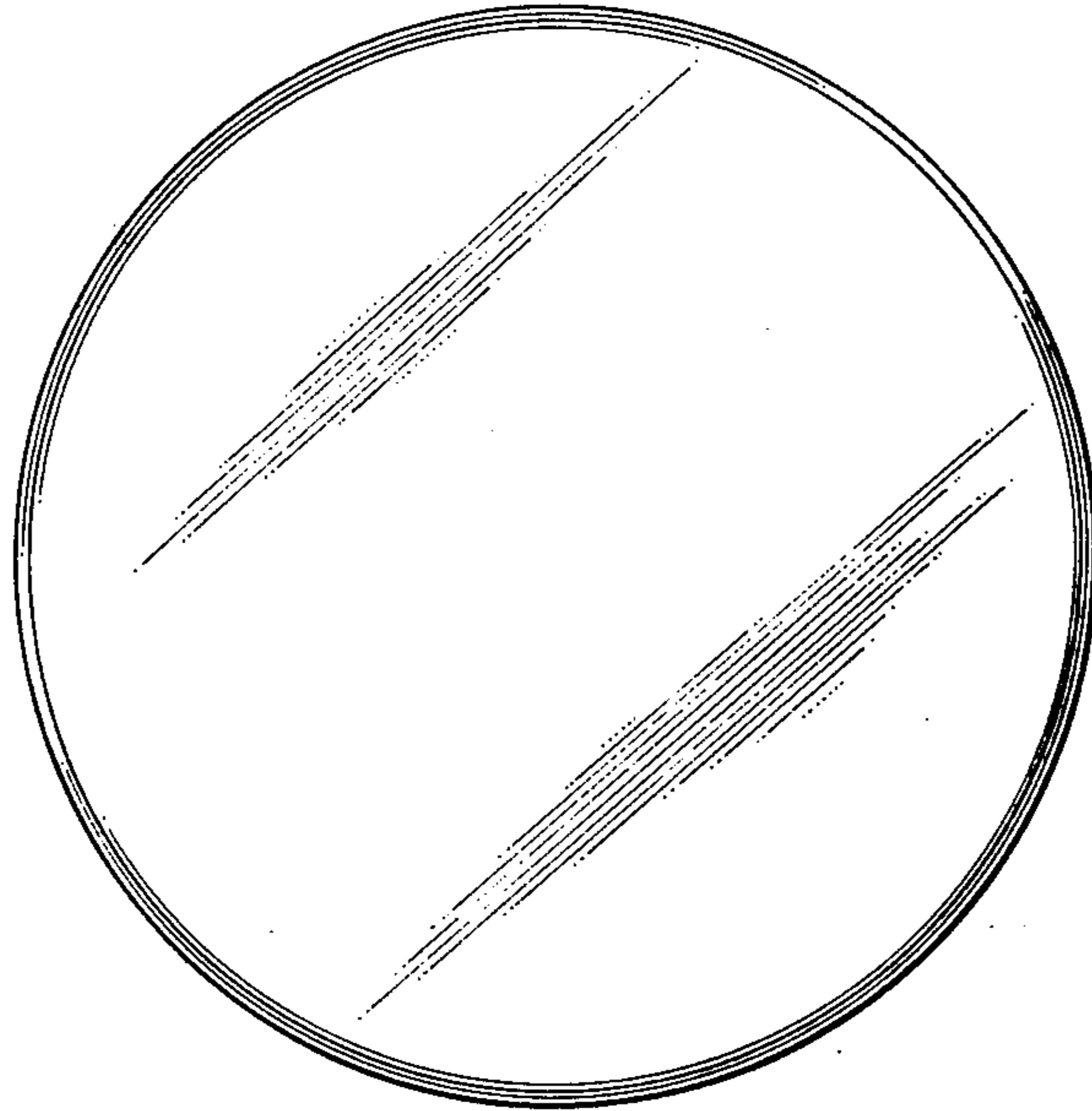


FIG. 8

