

[54] TILTABLE GAME PANEL

[75] Inventor: David A. Pagani, Minnetonka, Minn.

[73] Assignee: Leisure Dynamics, Inc., Minneapolis, Minn.

[**] Term: 14 Years

[21] Appl. No.: 793,800

[22] Filed: May 4, 1977

[51] Int. Cl. D21-01

[52] U.S. Cl. D21/17

[58] Field of Search D34/5 SS; 273/110, 109

[56] References Cited

U.S. PATENT DOCUMENTS

4,034,985 7/1977 Breslow et al. 273/110

Primary Examiner—Melvin B. Feifer
Attorney, Agent, or Firm—Kenneth D. Siegfried

[57] CLAIM

The ornamental design for a tiltable game panel, as shown and described.

DESCRIPTION

FIG. 1 is a top plan view of a tiltable game panel showing my new design.

FIG. 2 is a side elevational view thereof;

FIG. 3 is an opposite side elevational view thereof;

FIG. 4 is a side elevational view thereof taken at the lefthand side of FIG. 1;

FIG. 5 is a bottom plan view thereof;

FIG. 6 is a side elevational view thereof taken at the righthand side of FIG. 1; and

FIG. 7 is a perspective view thereof from above.

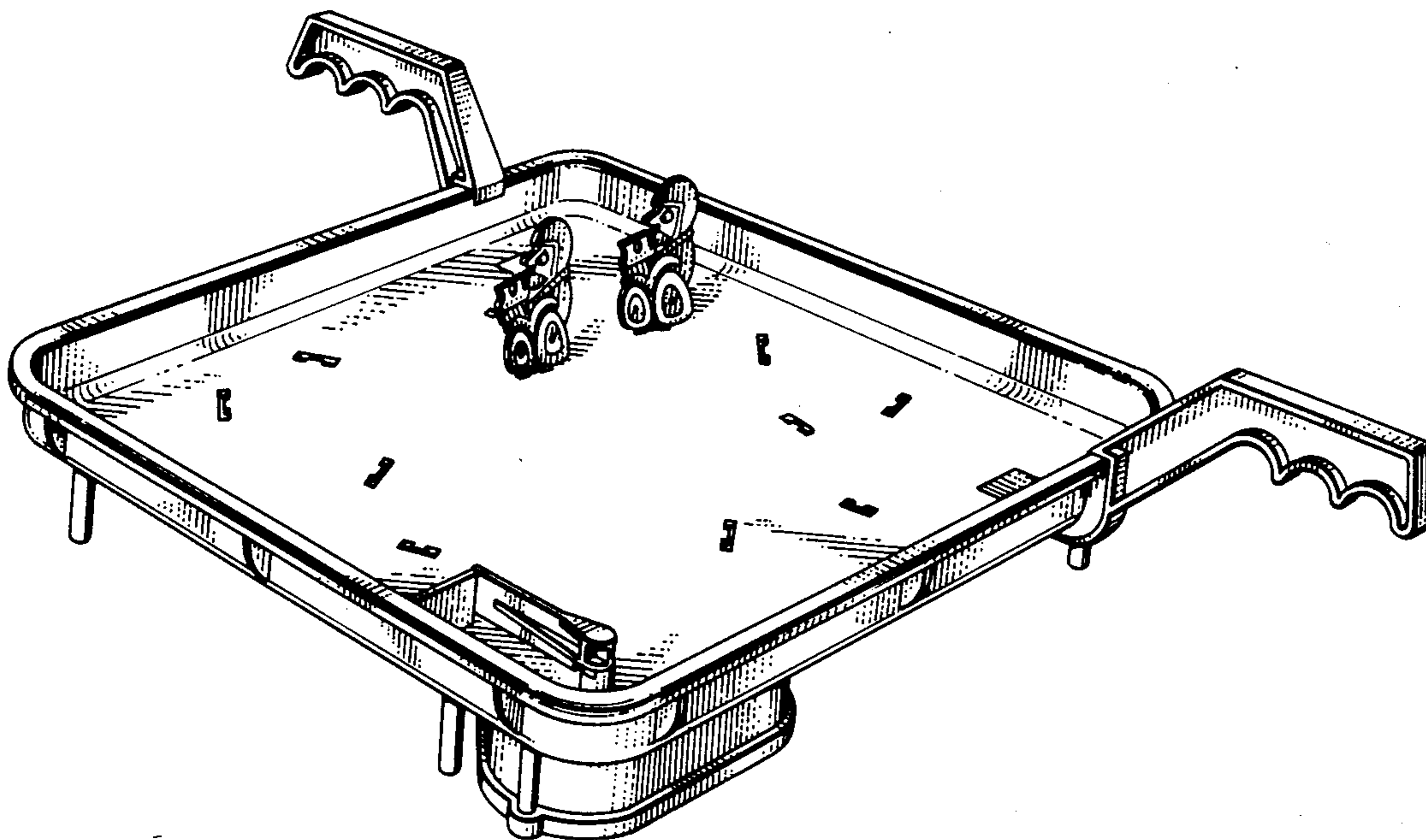


Fig. 1

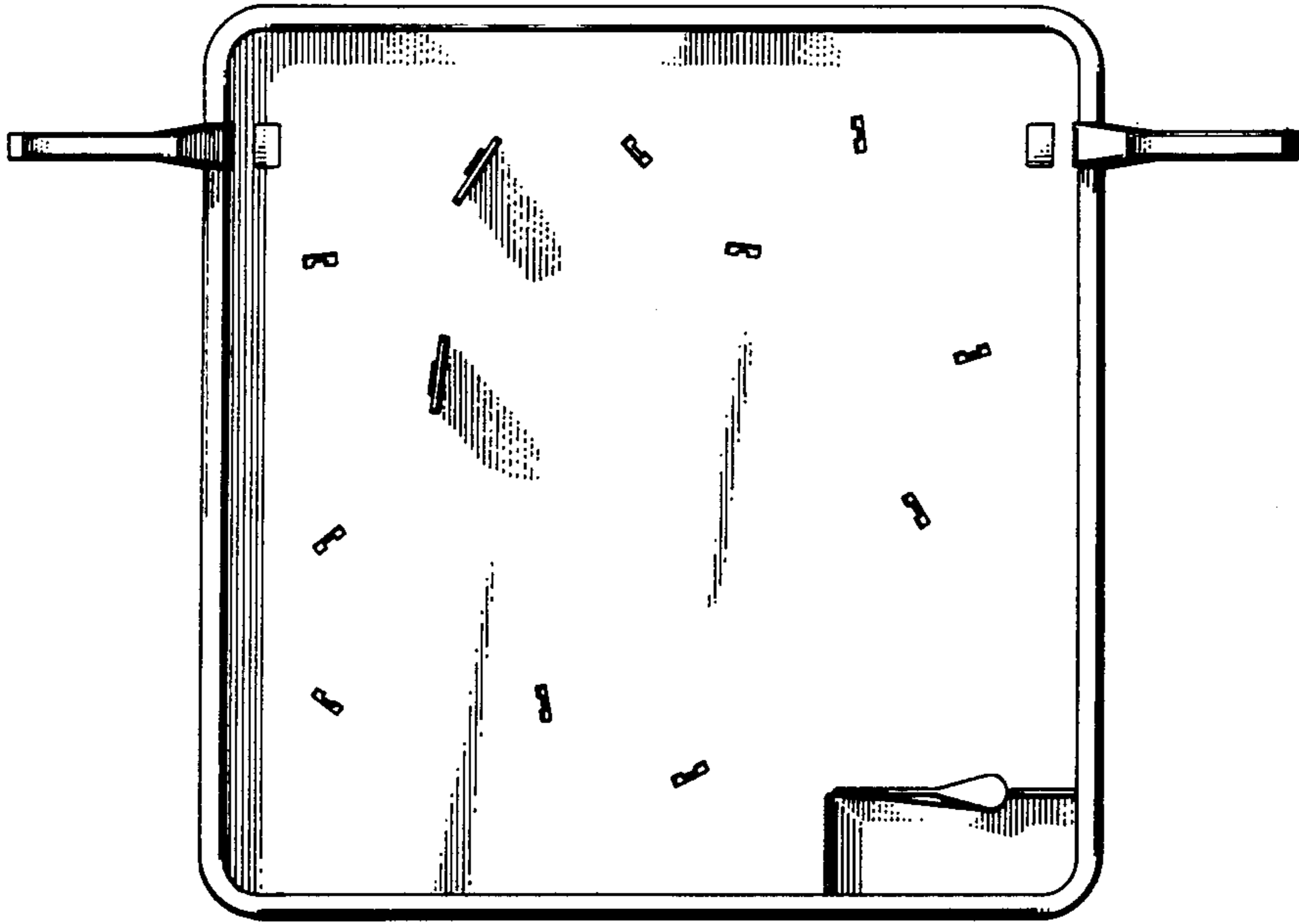


Fig. 2

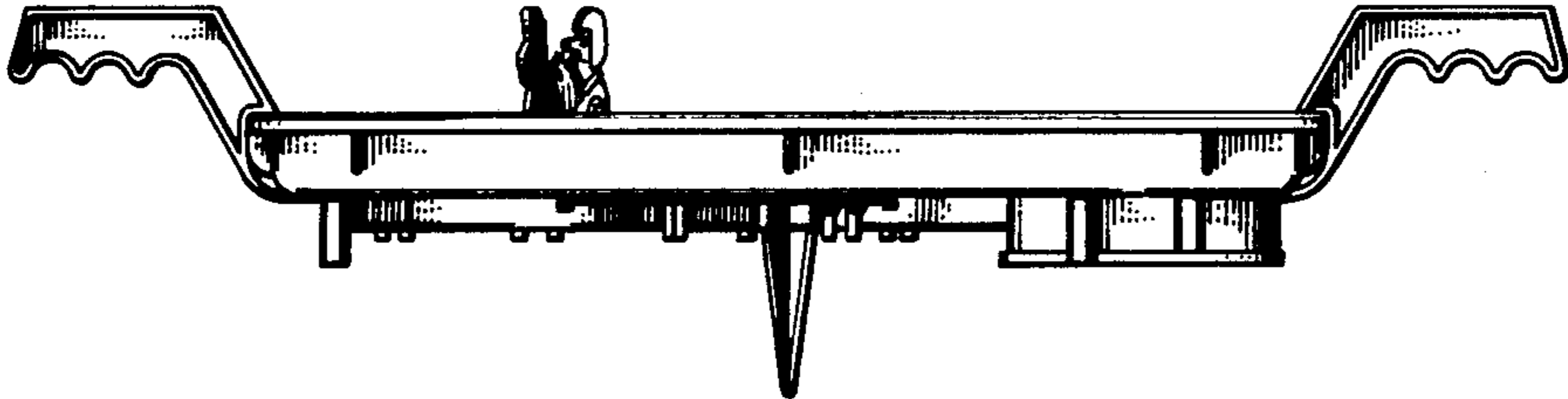


Fig. 3

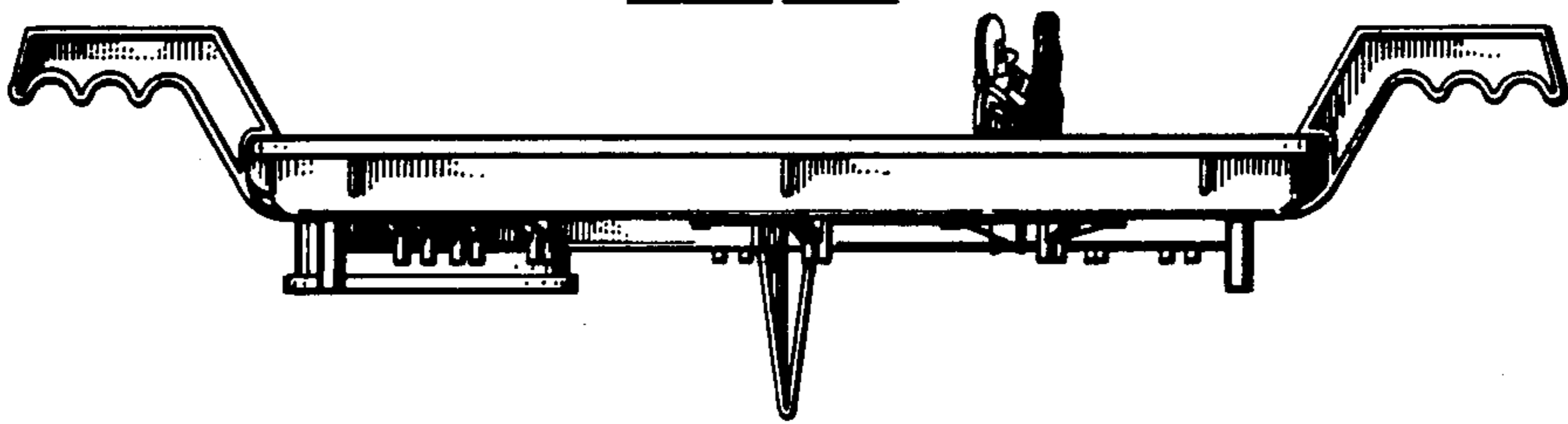


Fig. 4

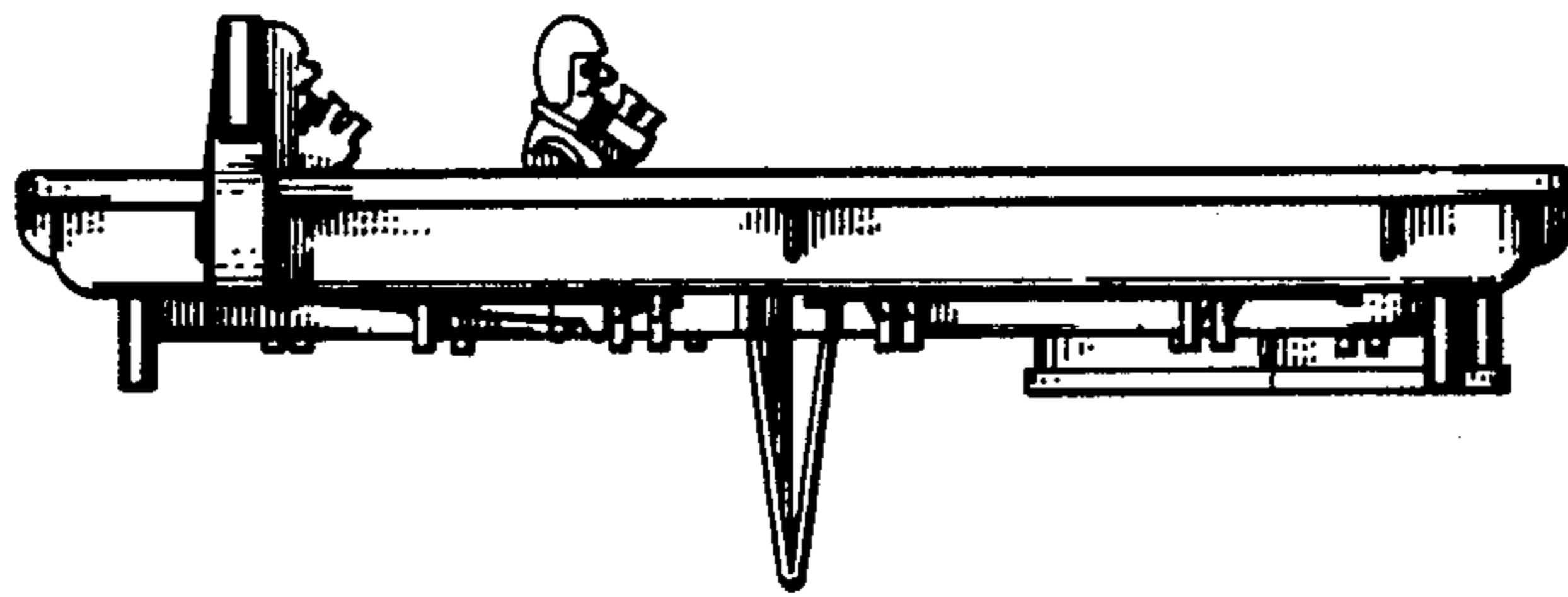


Fig. 5

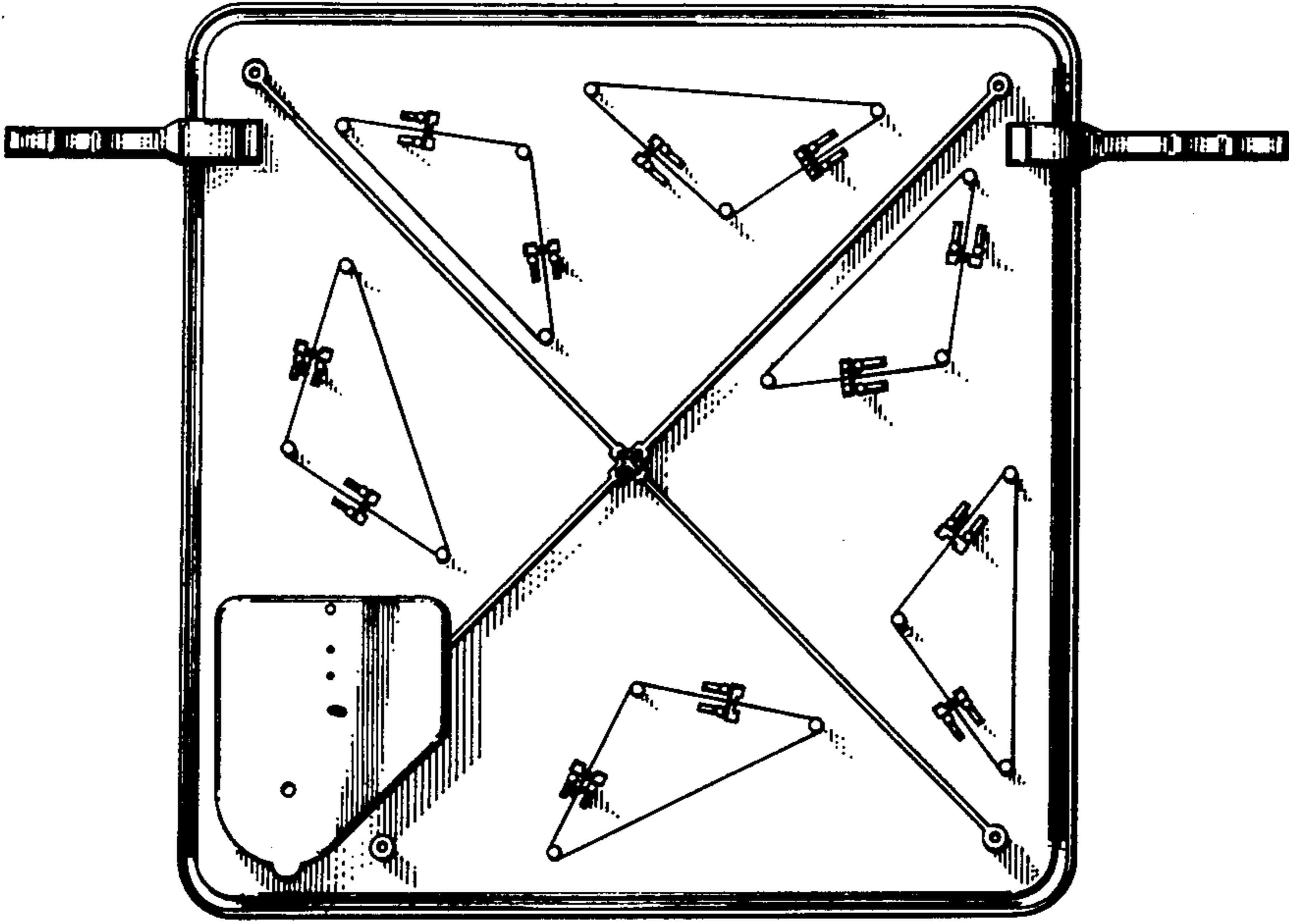


Fig. 6

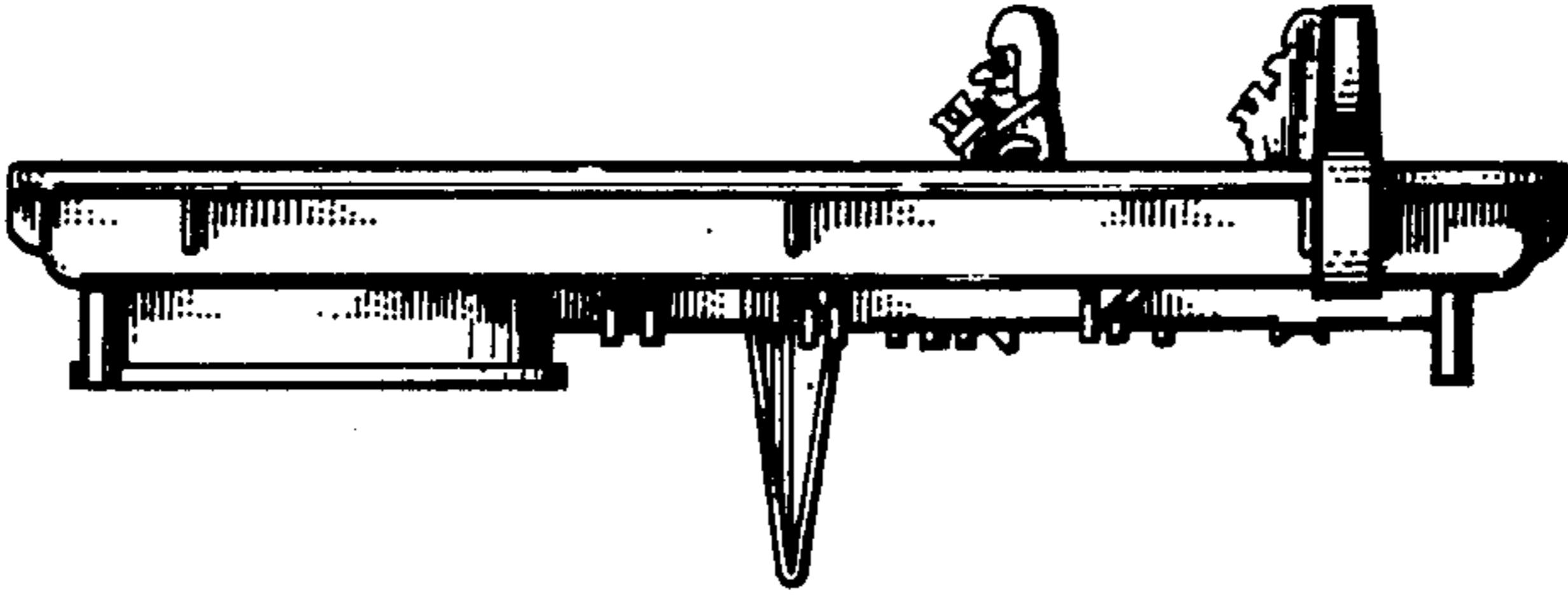


Fig. 7

