

[54] BUILDING HEADER BLOCK  
[76] Inventor: James A. Schuring, 352 Saratoga Ave. NW., Canton, Ohio 44708

[\*\*] Term: 14 Years

[21] Appl. No.: 797,452

[22] Filed: May 16, 1977

[51] Int. Cl. .... D25-01

[52] U.S. Cl. .... D25/86; D25/80; D25/87; D25/97

[58] Field of Search ..... D25/80, 84, 85, 86, D25/87, 88, 91, 92, 97; 52/284, 285, 286, 314, 585, 590, 570, 593, 589; 46/25

[56] References Cited

U.S. PATENT DOCUMENTS

1,751,272 3/1930 Forman ..... D25/86

3,305,982 2/1967 Steele ..... 52/286 X  
3,427,774 2/1969 Curtis ..... 52/284

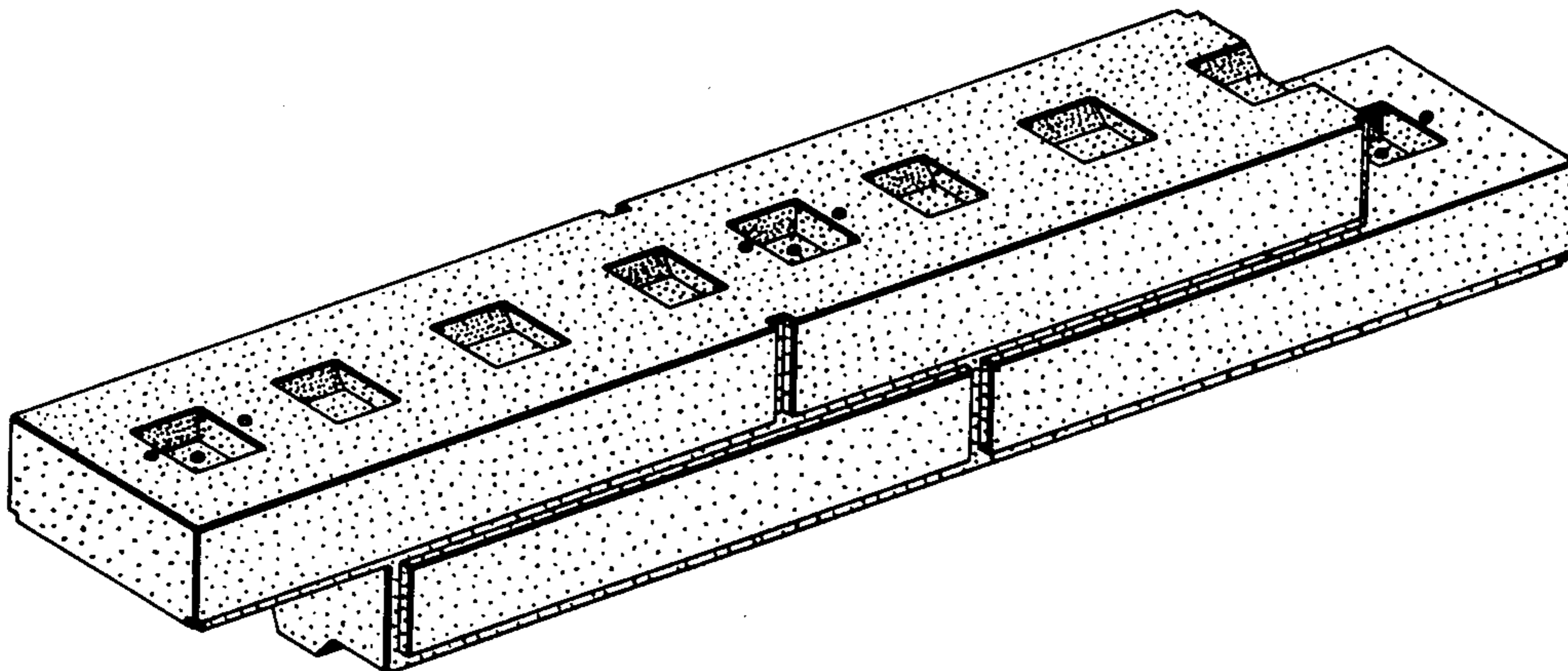
Primary Examiner—A Hugo Word  
Attorney, Agent, or Firm—Joseph Frease

[57] CLAIM

The ornamental design for a building header block, as shown and described.

DESCRIPTION

FIG. 1 is a perspective top view of a building header block showing my new design;  
FIG. 2 is a perspective bottom view of the building header block, as shown in FIG. 1;  
FIG. 3 is a front elevational view of the building header block, as shown in FIG. 1;  
FIG. 4 is a right-hand side elevational view of the building header block, as shown in FIG. 1; and  
FIG. 5 is a left-hand side elevational view of the building header block, as shown in FIG. 1.



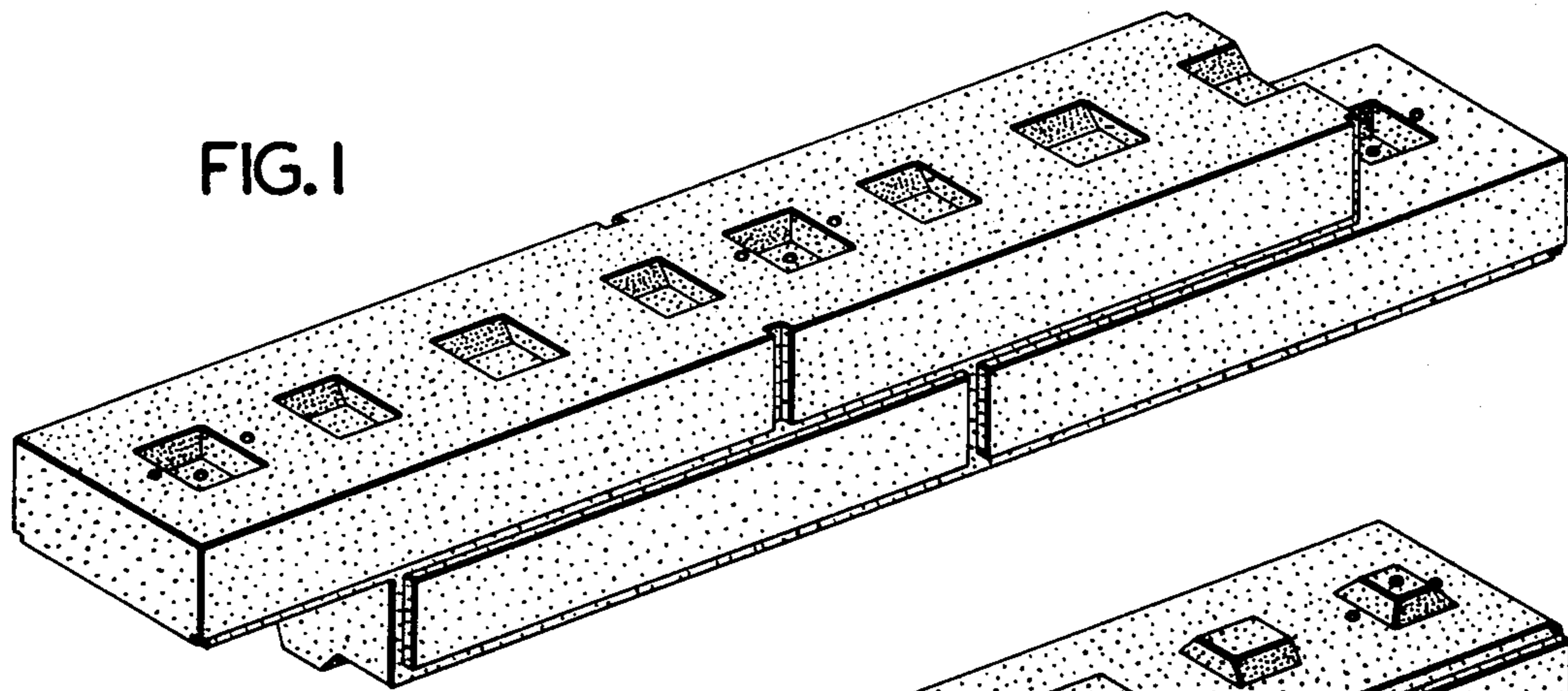


FIG. 1

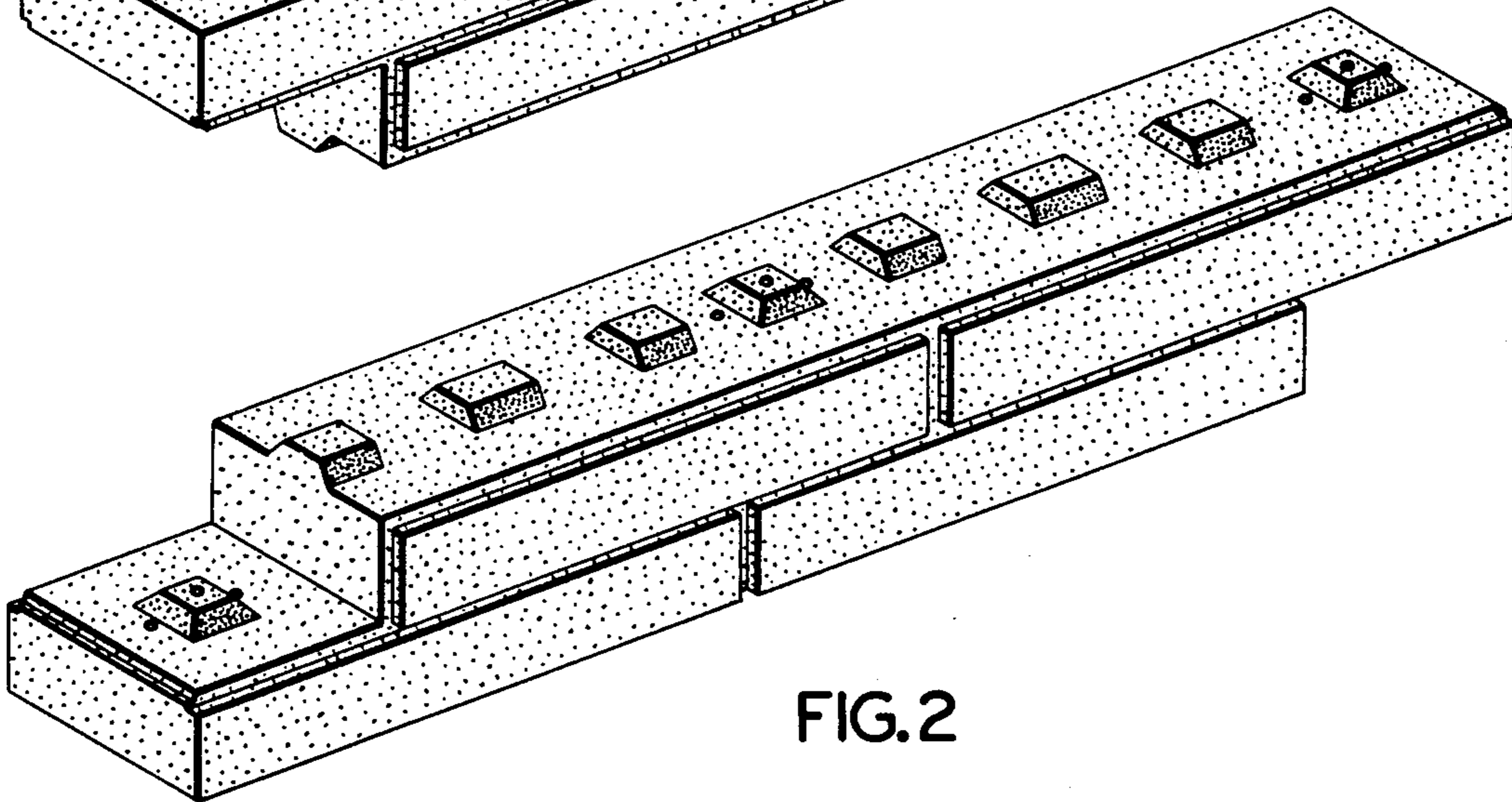


FIG. 2

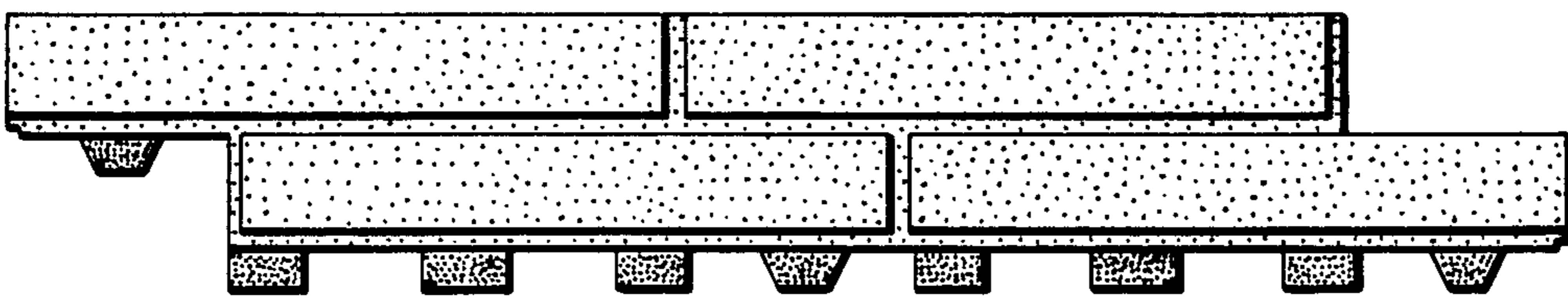


FIG. 3

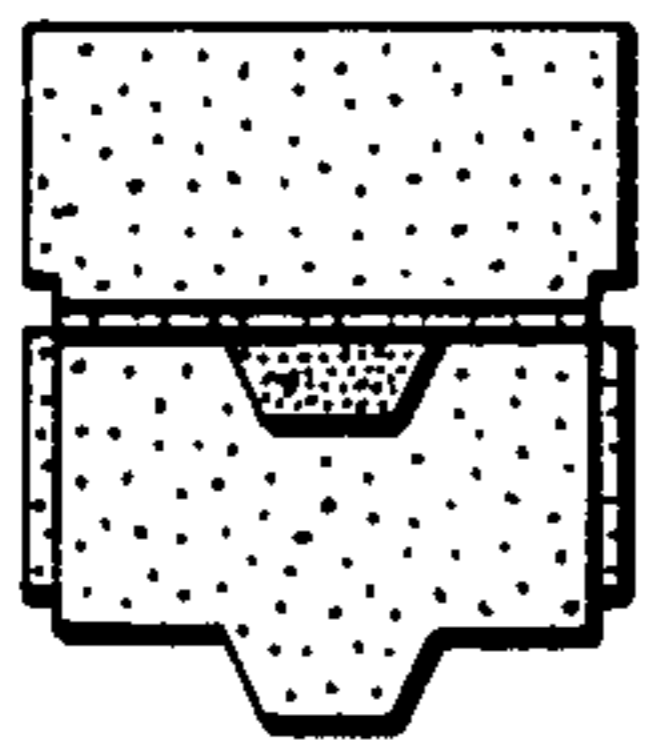


FIG. 5

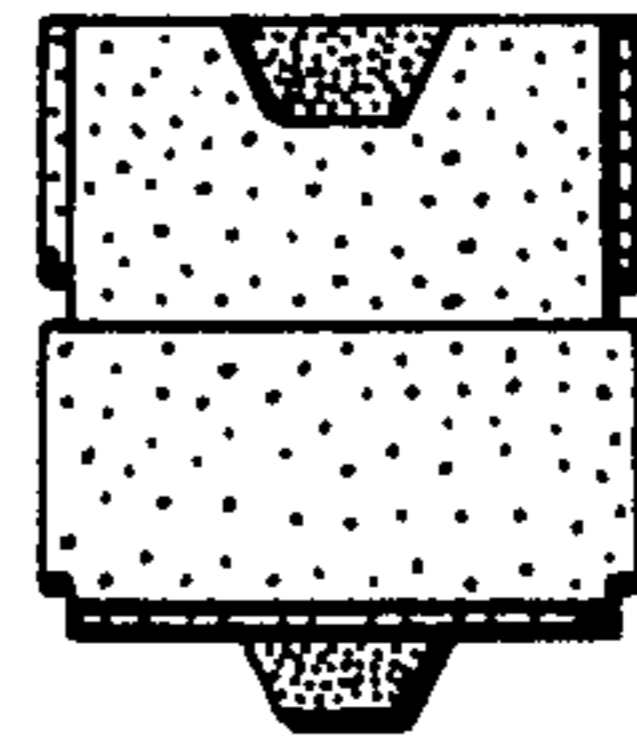


FIG. 4