

[54] WALL UNIT FOR A SHOWER STALL

[75] Inventors: James E. Chisholm, Cincinnati, Ohio; Charles M. Campbell, Fort Worth, Tex.

[73] Assignee: Powers-Fiat Corporation, Monroe, Ohio

[**] Term: 14 Years

[21] Appl. No.: 897,532

[22] Filed: Apr. 17, 1978

[51] Int. Cl. D23-02

[52] U.S. Cl. D23/69

[58] Field of Search D23/48-50, D23/55-57, 69; 4/2, 4, 5, 145, 146, 148, 149, 161, 162, 173, 175, 178, 180, 185 R

[56] References Cited

U.S. PATENT DOCUMENTS

- D. 217,864 6/1970 Myers D23/55
- D. 221,760 9/1971 Skyhawk D23/69
- D. 226,851 5/1973 Korol D23/49

- D. 230,022 1/1974 Lofgren D23/57
- D. 230,852 3/1974 Cousins D23/57
- D. 230,979 3/1974 Seymour D23/57
- D. 235,262 6/1975 Seymour D23/57
- 3,845,600 11/1974 Moore 4/175 X
- 4,067,071 1/1978 Altman et al. 4/173 X

Primary Examiner—James R. Largen
Attorney, Agent, or Firm—James P. Hume

[57] CLAIM

The ornamental design for a wall unit for a shower stall, as shown.

DESCRIPTION

FIG. 1 is a front perspective view of a wall unit for a shower stall showing our new design;
 FIG. 2 is a top plan view thereof;
 FIG. 3 is a cross sectional view taken on line 3—3 of FIG. 2;
 FIG. 4 is a cross sectional view taken on line 4—4 of FIG. 2;
 FIG. 5 is a cross sectional view taken on line 5—5 of FIG. 2; and
 FIG. 6 is a cross sectional view taken on line 6—6 of FIG. 4.

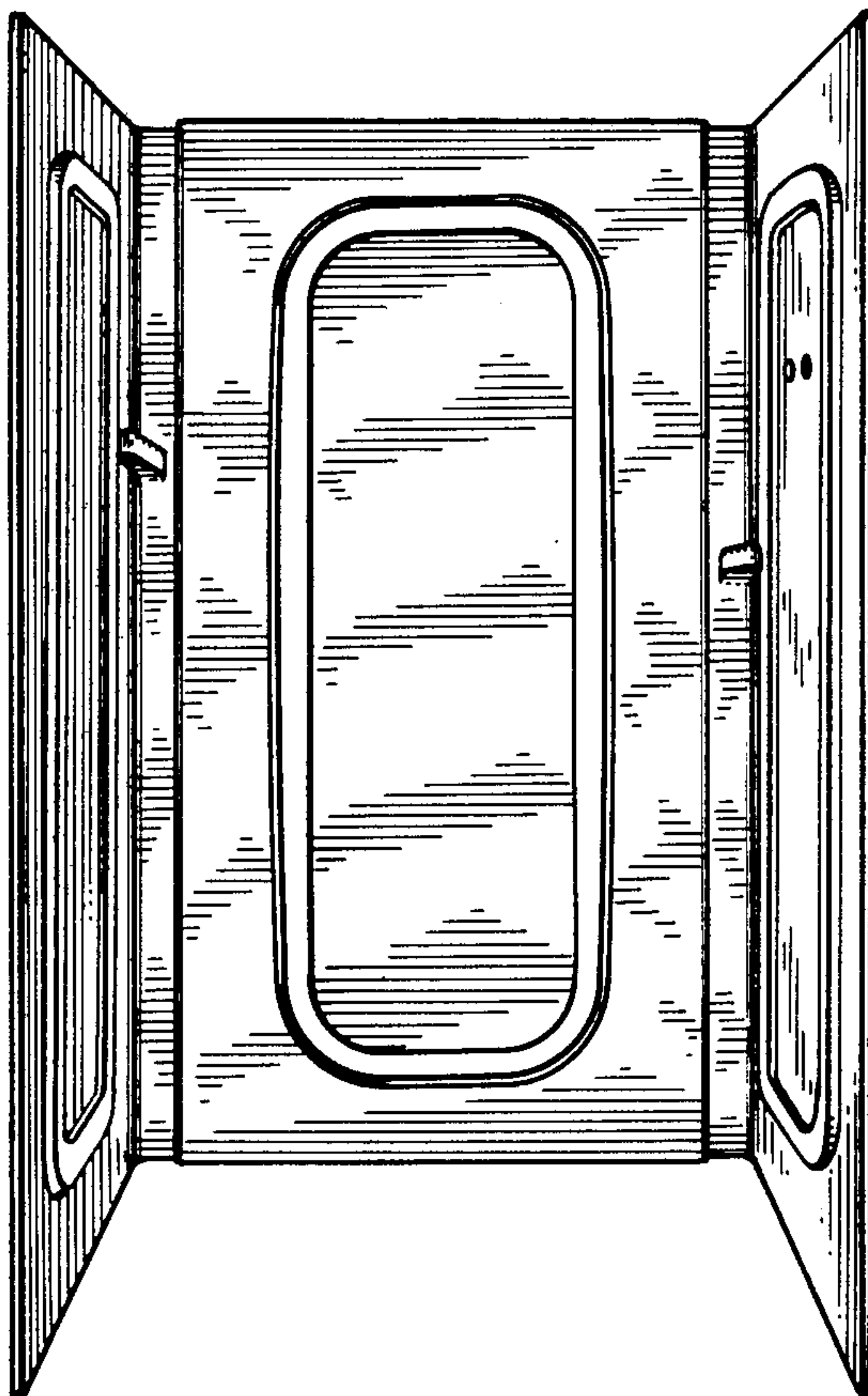


FIG. 1

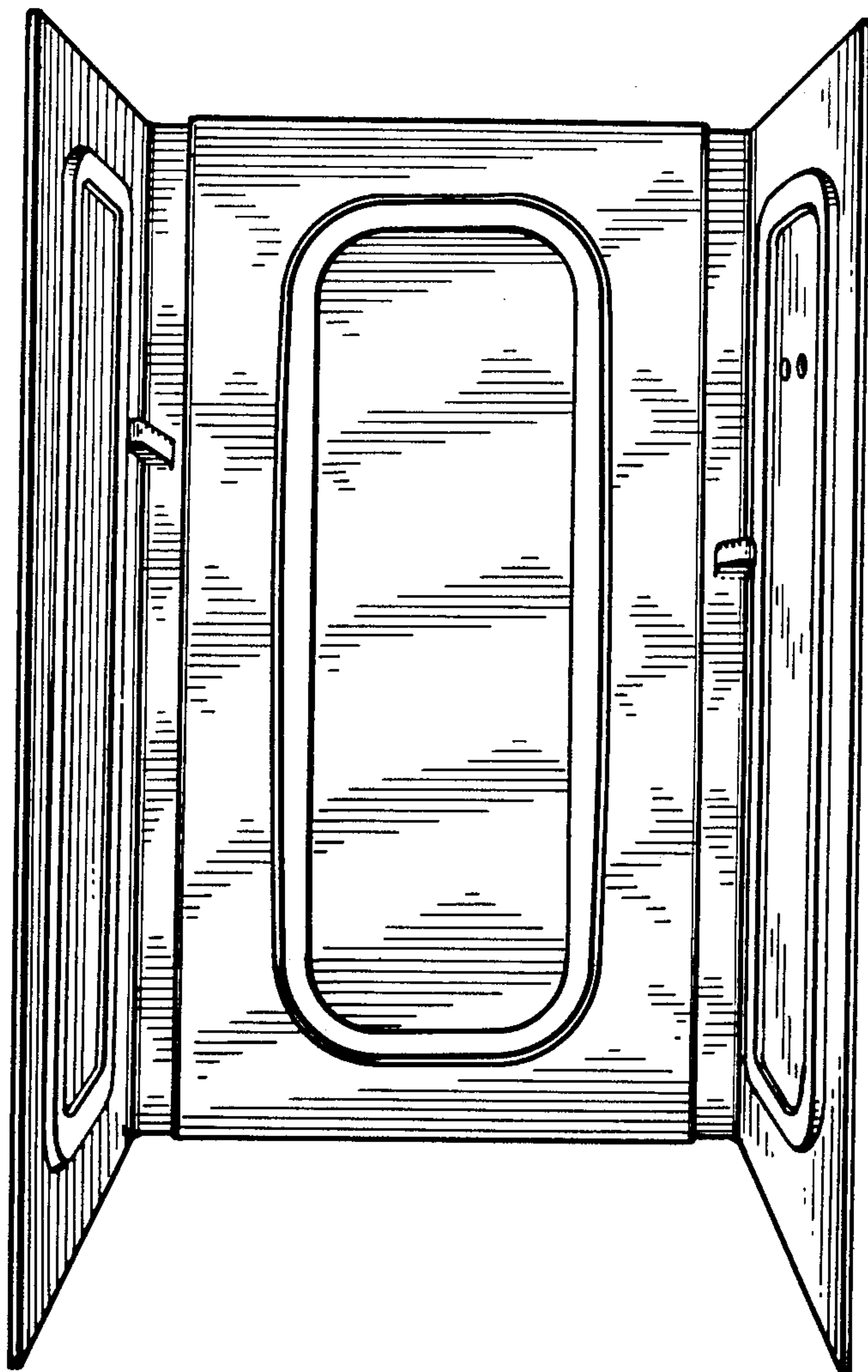


FIG. 2

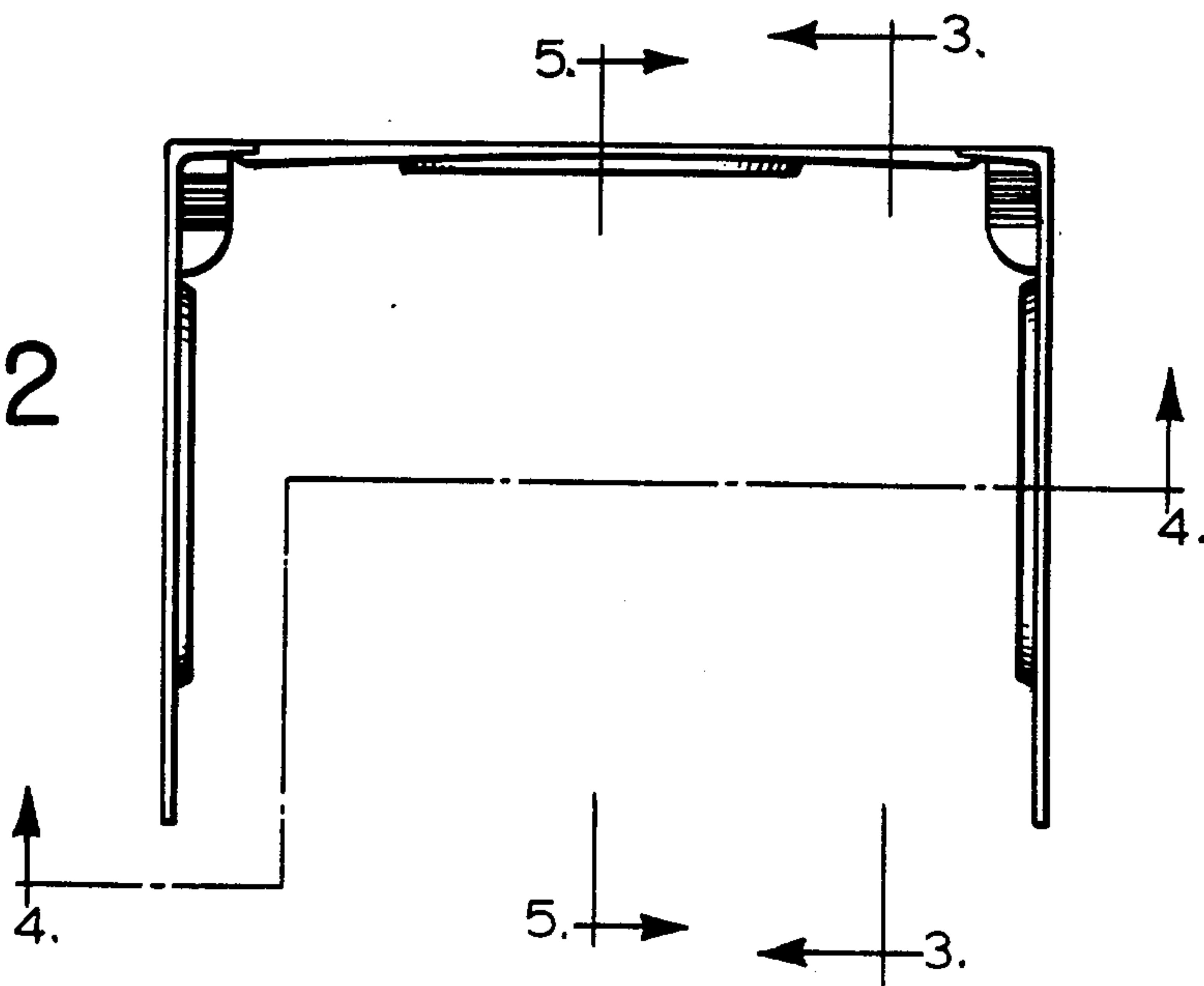


FIG. 5

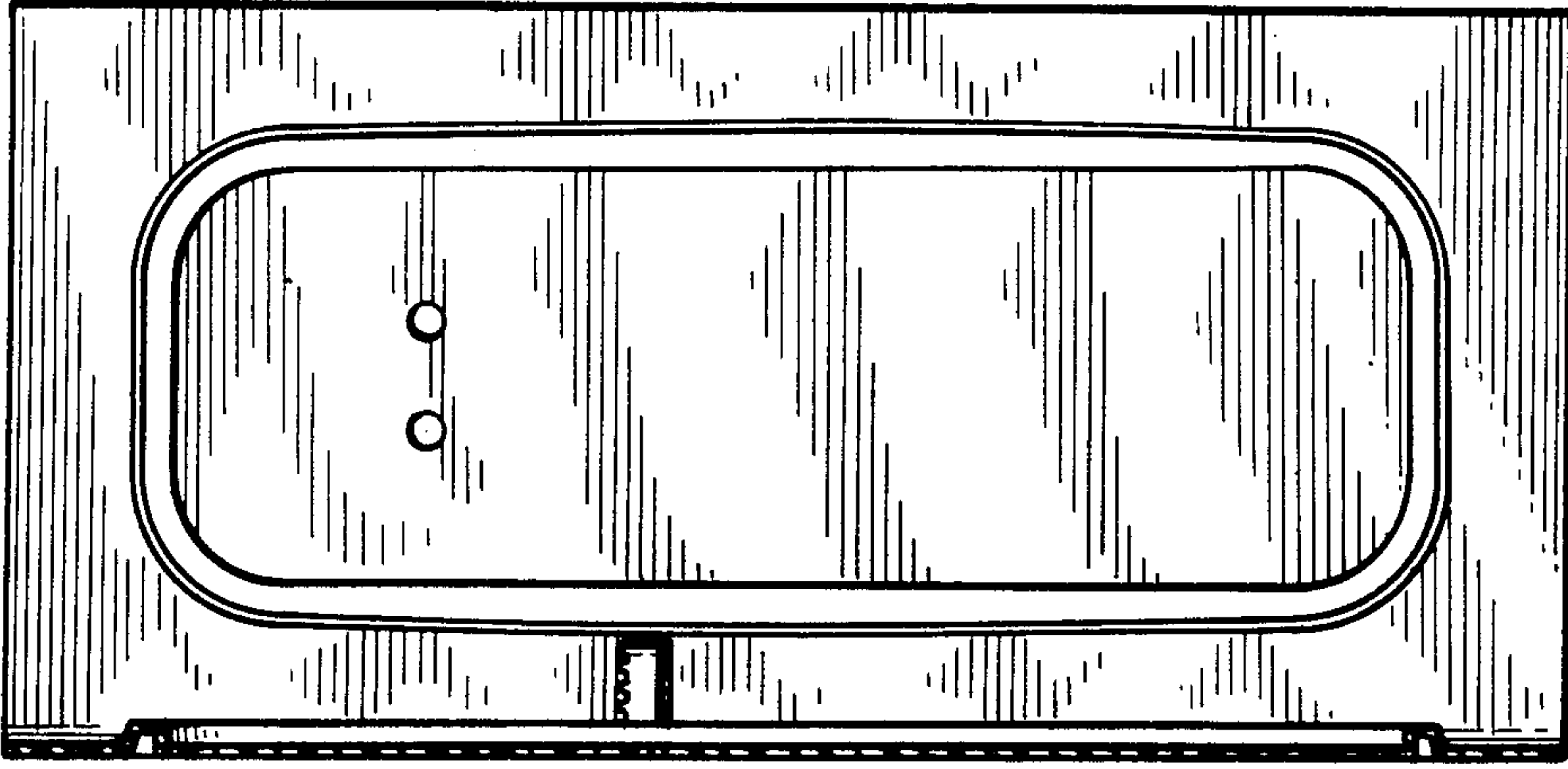


FIG. 4

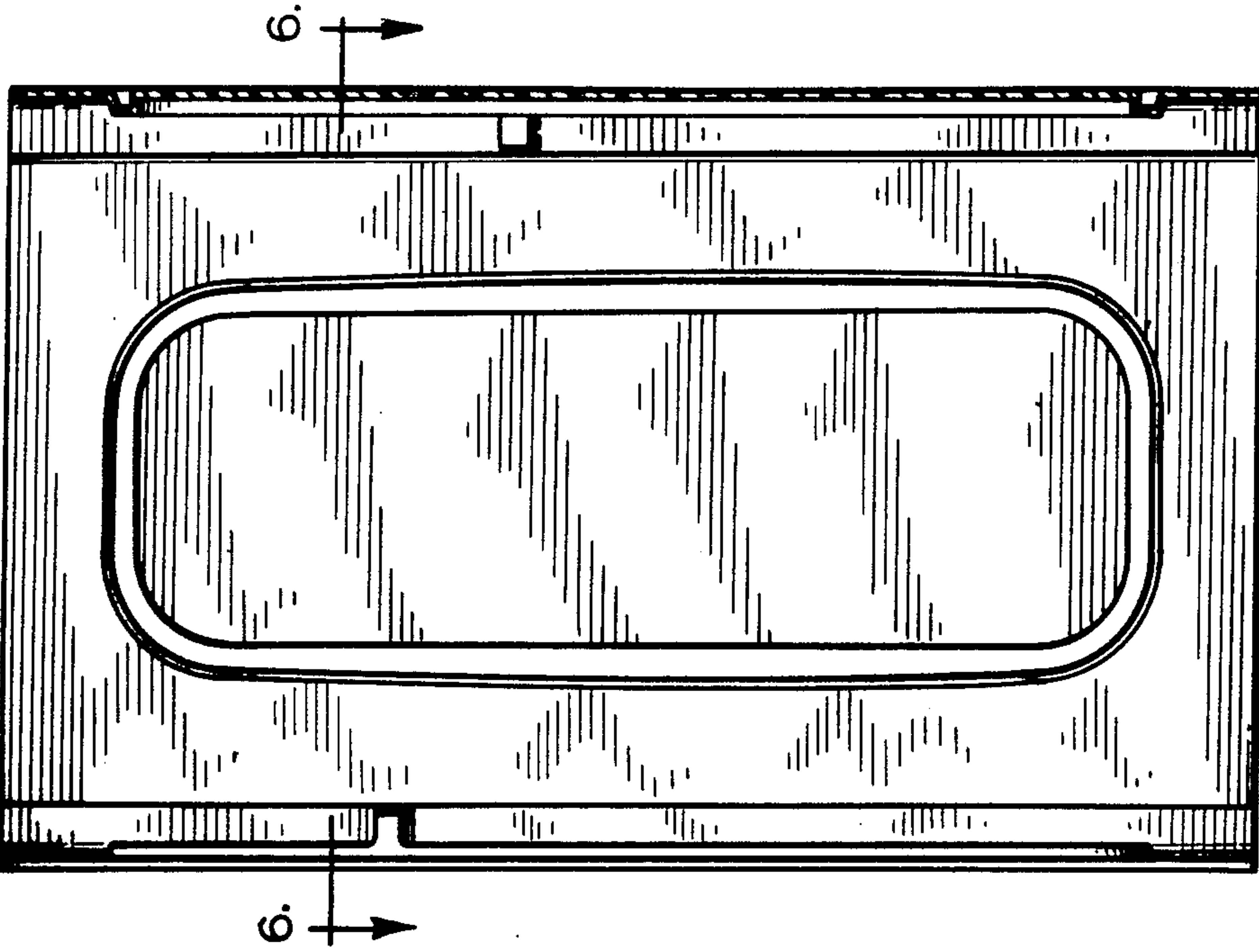


FIG. 3

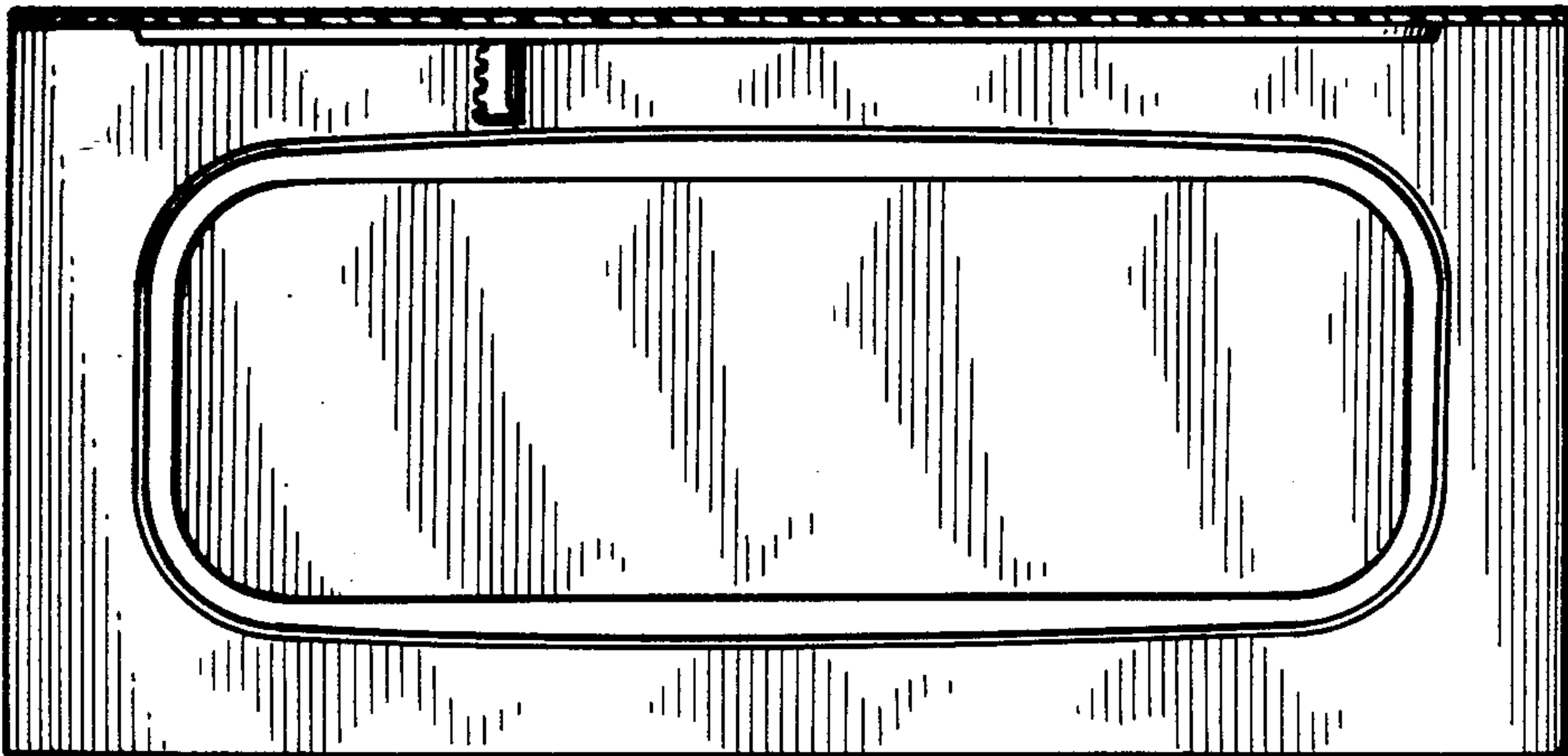


FIG. 6