

[54] WALL UNIT FOR A BATHTUB

[75] Inventors: James E. Chisholm, Cincinnati, Ohio; Charles M. Campbell, Fort Worth, Tex.

[73] Assignee: Powers-Fiat Corporation, Monroe, Ohio

[\*\*] Term: 14 Years

[21] Appl. No.: 897,531

[22] Filed: Apr. 17, 1978

[51] Int. Cl. .... D23-02

[52] U.S. Cl. .... D23/69

[58] Field of Search .... D23/48-50, D23/55-57, 69; 4/2, 4, 5, 145, 146, 148, 149, 161, 162, 173, 175, 178, 180, 185 R

[56] References Cited

U.S. PATENT DOCUMENTS

D. 217,865	6/1970	Myers	.....	D23/55
D. 219,654	1/1971	Young	.....	D23/69
D. 225,739	1/1973	Seymour	.....	D23/49
D. 226,852	5/1973	Korol	.....	D23/49
D. 233,932	12/1974	Seymour	.....	D23/49
D. 238,275	12/1975	Folden	.....	D23/49

D. 238,276	12/1975	Alexander	.....	D23/49
D. 243,849	3/1977	Seymour	.....	D23/49
D. 250,273	11/1978	Rath	.....	D23/49
3,845,600	11/1974	Moore	.....	4/175 X
4,067,071	1/1978	Altman et al.	.....	4/173 X

Primary Examiner—James R. Largen  
Attorney, Agent, or Firm—James P. Hume

[57] CLAIM

The ornamental design for a wall unit for a bathtub, as shown.

DESCRIPTION

FIG. 1 is a front perspective view of a wall unit for a bathtub showing our new design;  
FIG. 2 is a top plan view thereof;  
FIG. 3 is a cross sectional view taken on line 3—3 of FIG. 2;  
FIG. 4 is a cross sectional view taken on line 4—4 of FIG. 2;  
FIG. 5 is a cross sectional view taken on line 5—5 of FIG. 2;  
FIG. 6 is a fragmentary cross sectional view taken on line 6—6 of FIG. 4; and  
FIG. 7 is a fragmentary cross sectional view taken on line 7—7 of FIG. 4.

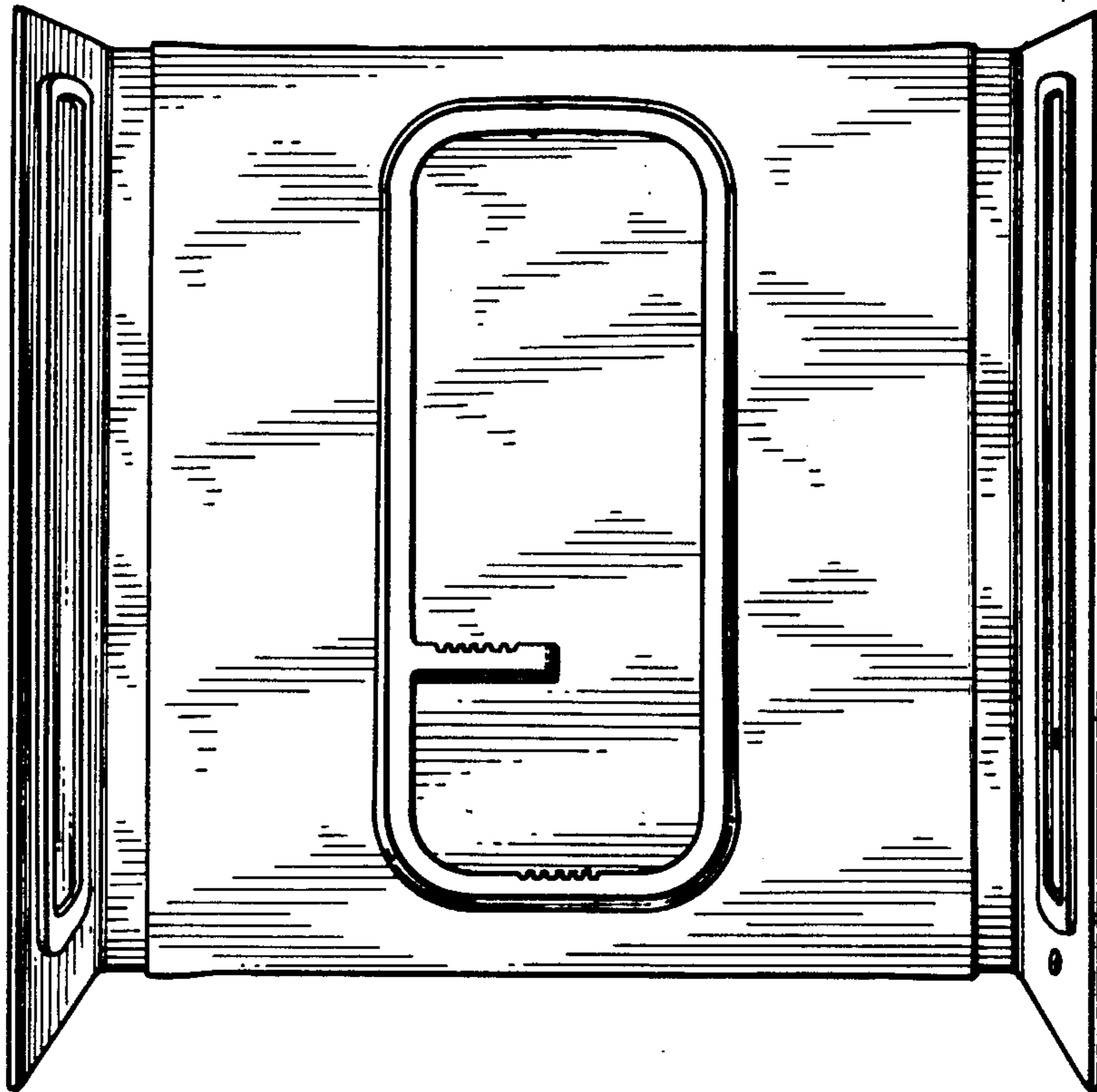


FIG. 1

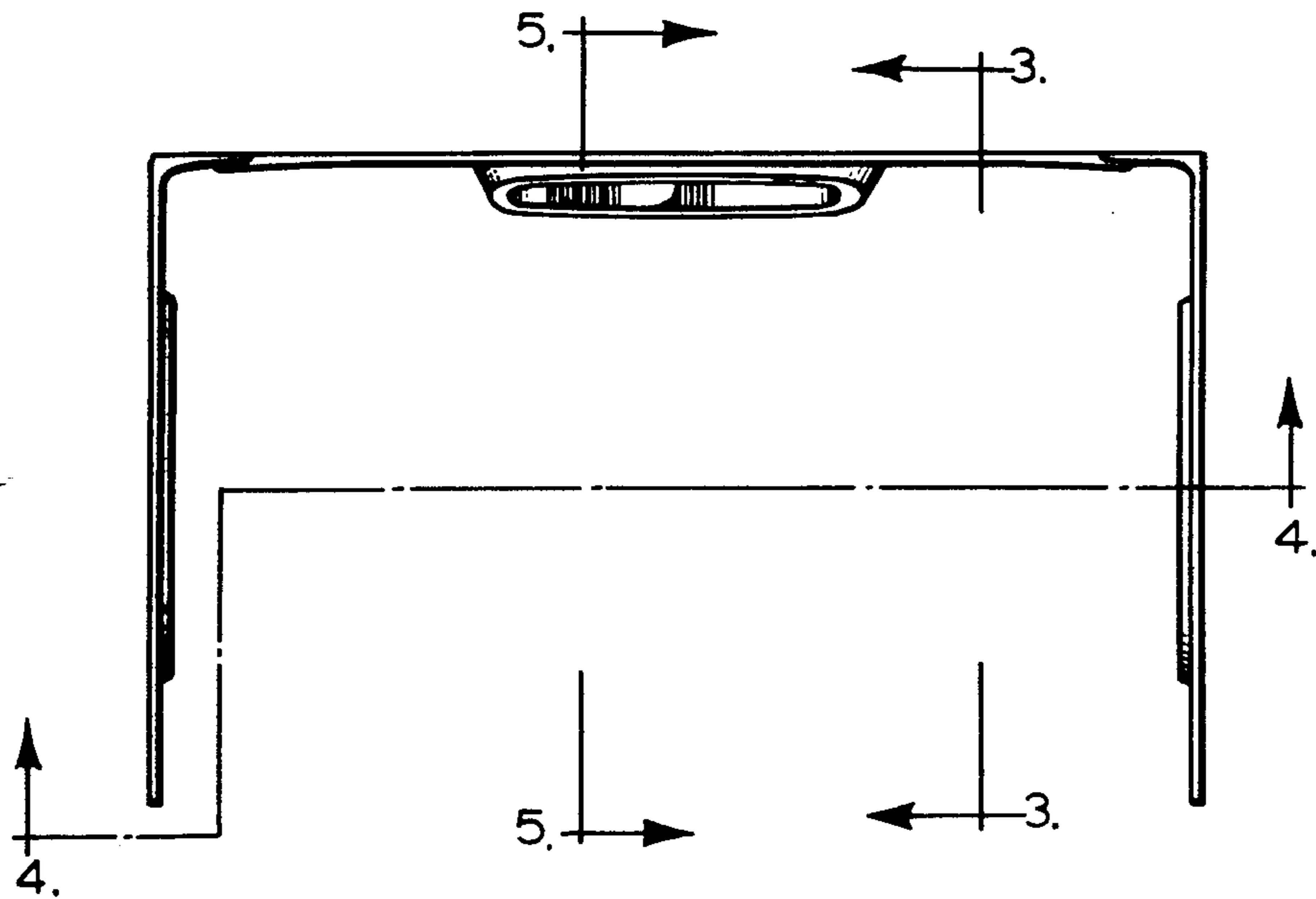
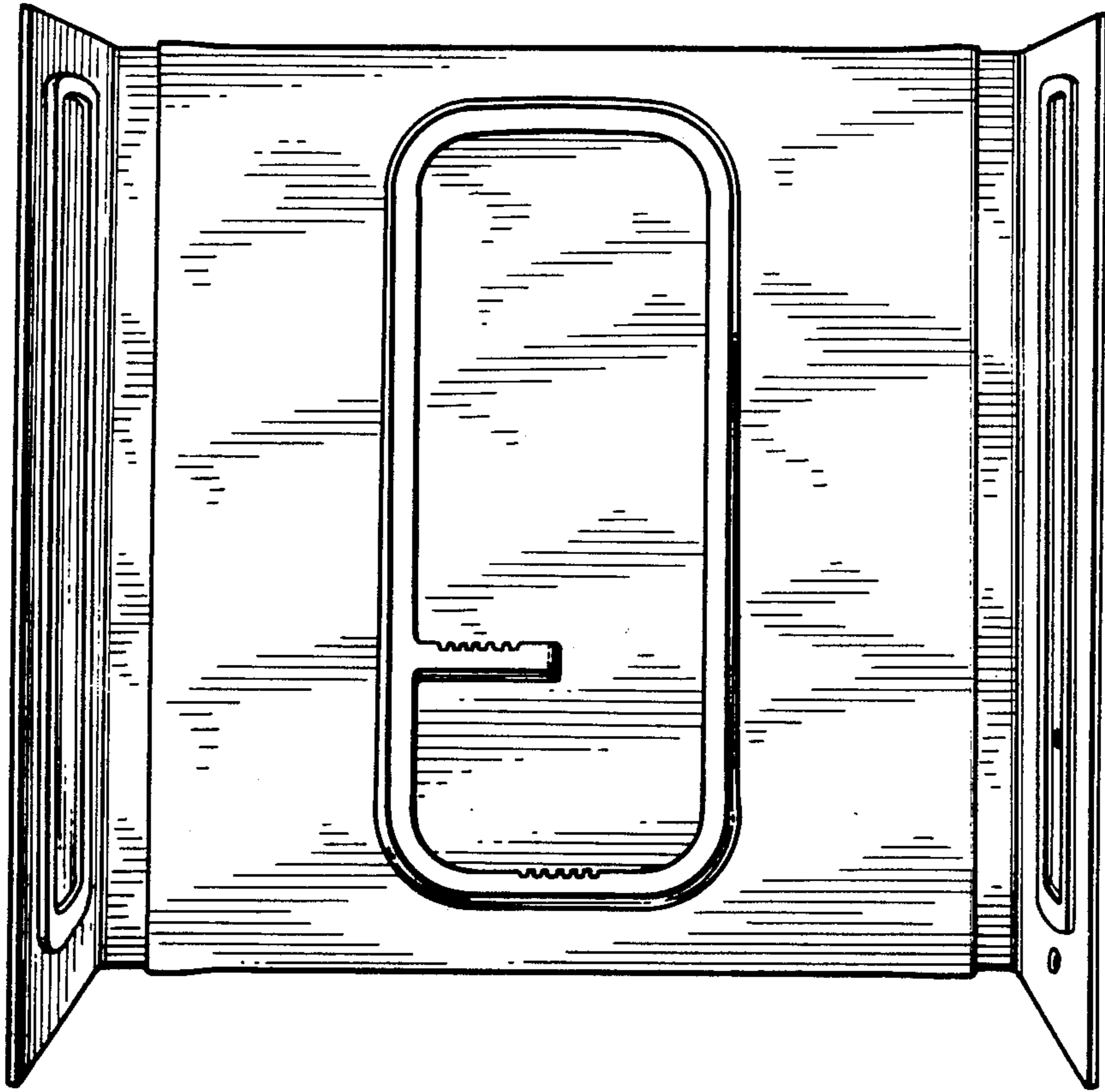


FIG. 2

FIG. 3

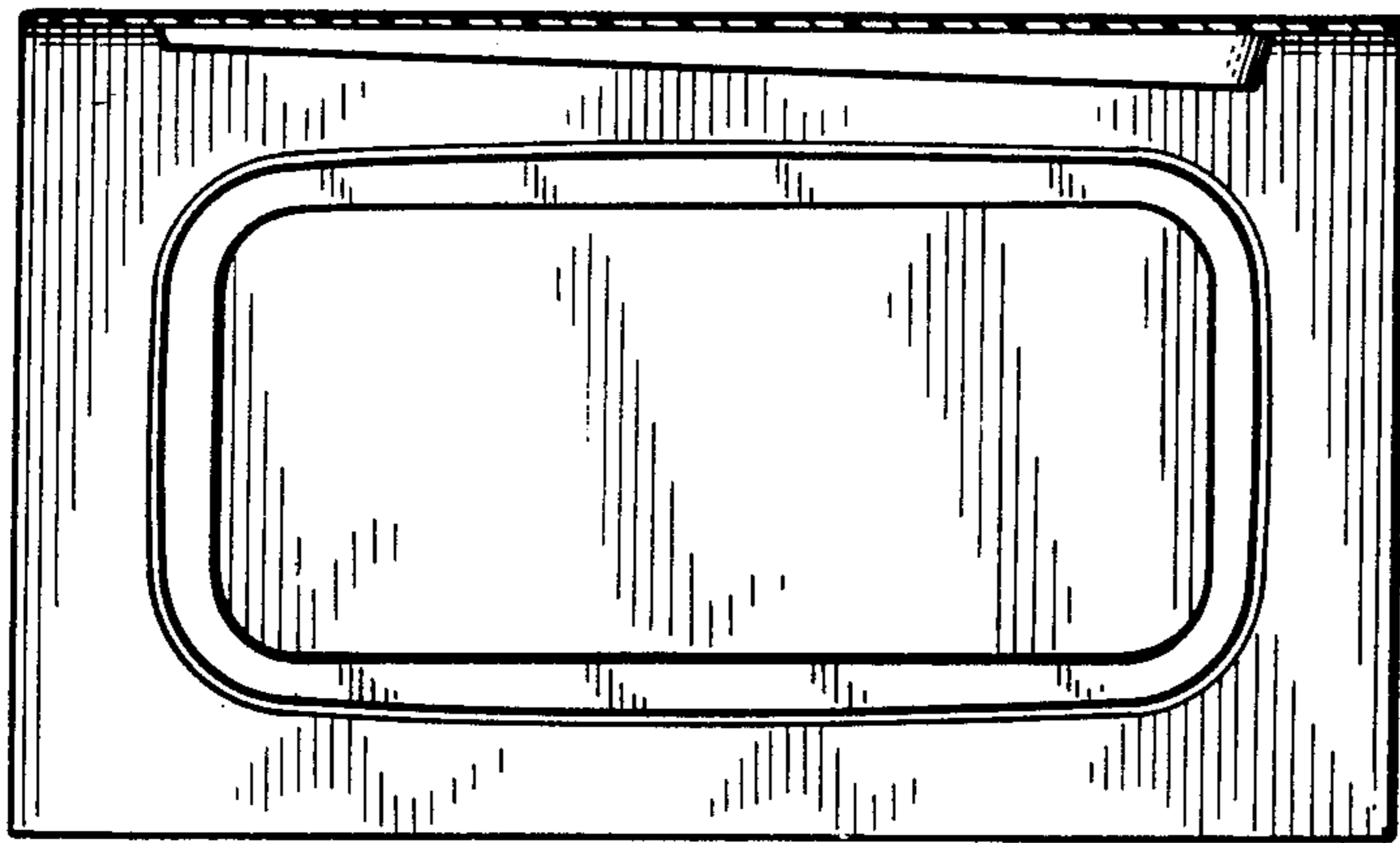


FIG. 4

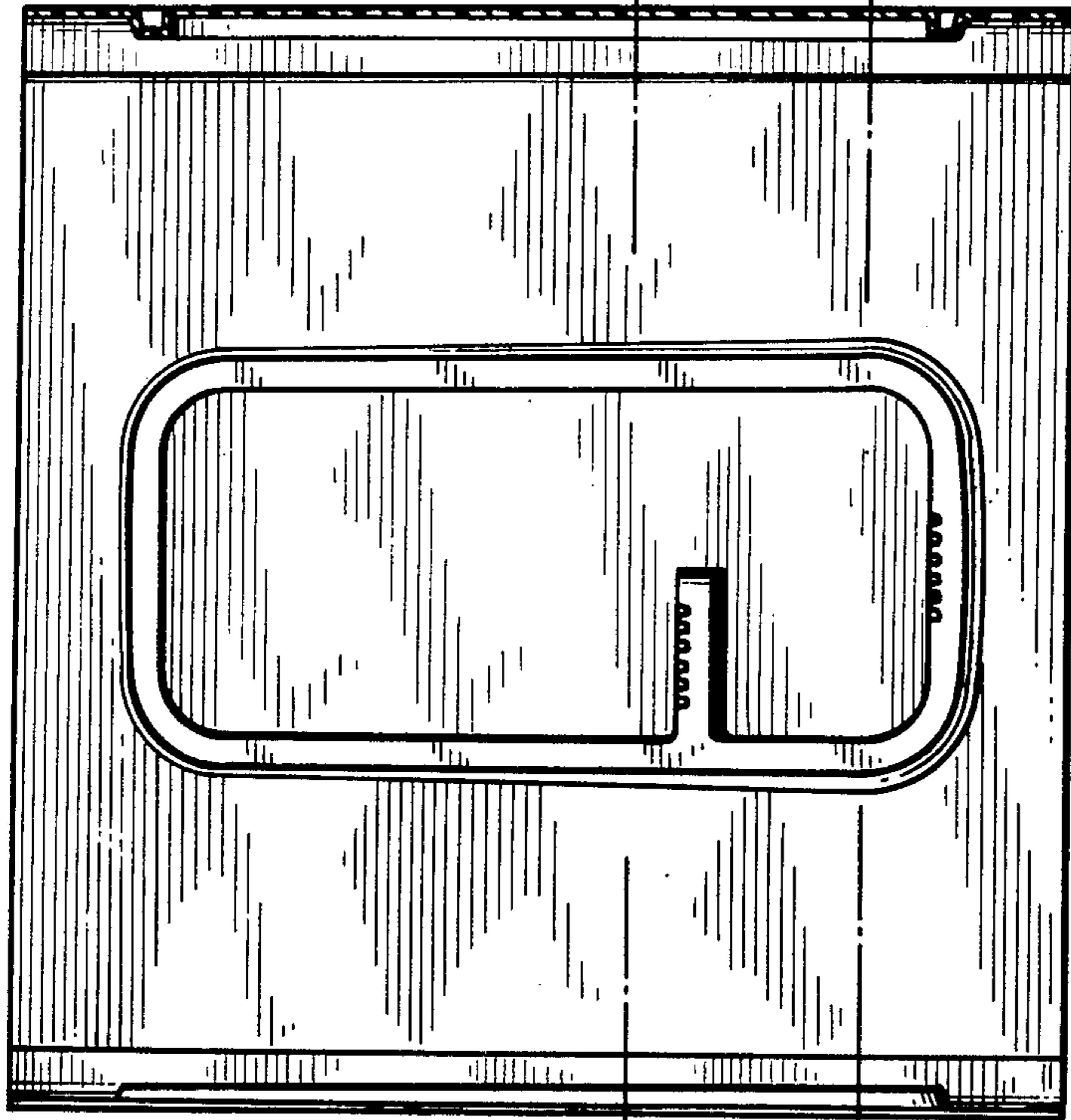


FIG. 5

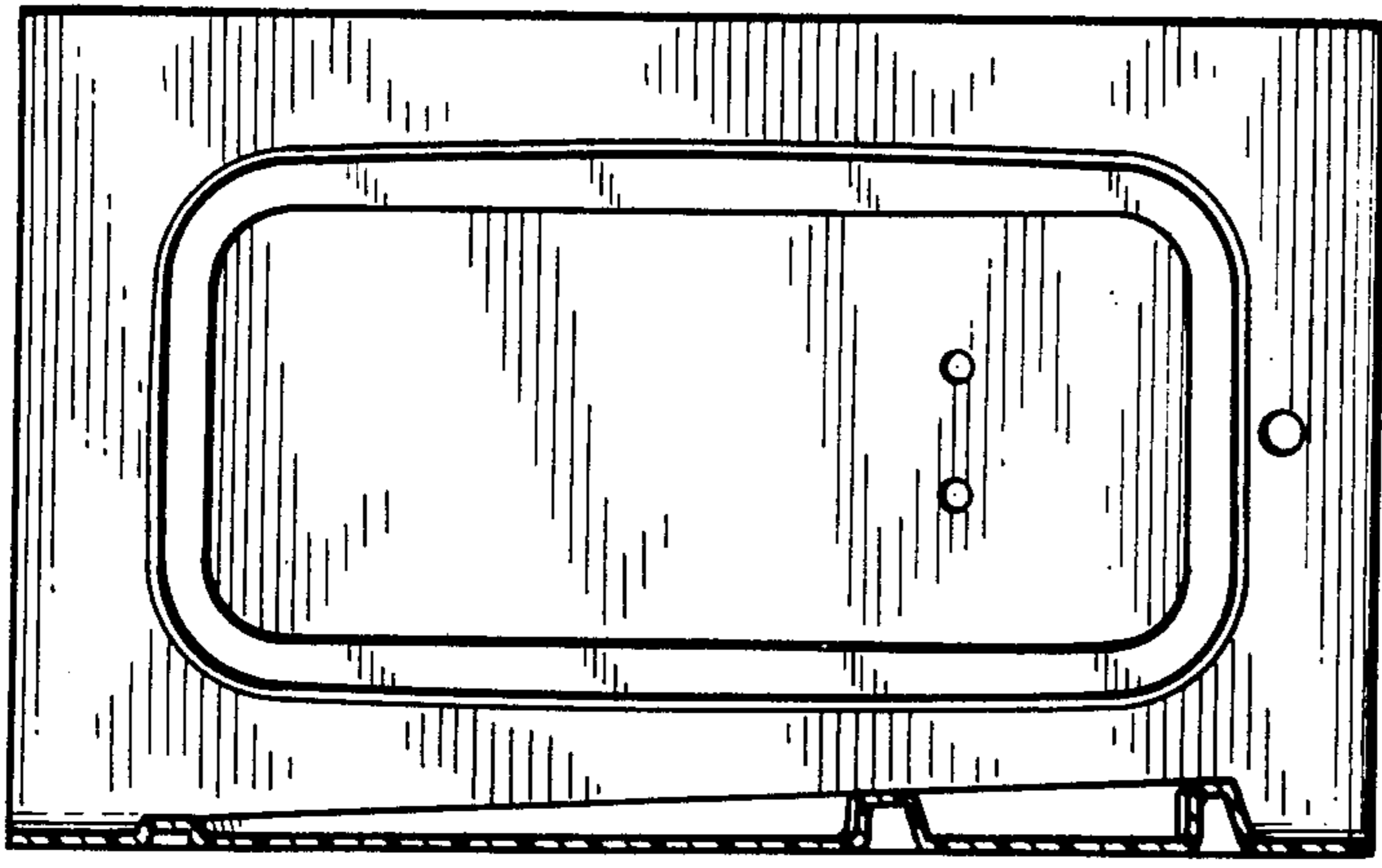


FIG. 6



FIG. 7

