

[54] BATHTUB

1,445,243 2/1923 Spaleek 4/173

[75] Inventor: Larry I. Fairchild, New Wilmington, Pa.

Primary Examiner—James R. Largen
Attorney, Agent, or Firm—Nathan N. Kraus

[73] Assignee: Universal-Rundle Corporation, New Castle, Pa.

[57] CLAIM

The ornamental design for a bathtub, as shown and described.

[**] Term: 14 Years

DESCRIPTION

[21] Appl. No.: 928,174

FIG. 1 is a front perspective view of the bathtub, showing my new design;

[22] Filed: Jul. 26, 1978

FIG. 2 is a rear perspective view thereof;

[51] Int. Cl. D23—02

FIG. 3 is a perspective view taken from one side thereof the opposite side being a mirror image of the side shown;

[52] U.S. Cl. D23/55

FIG. 4 is a front elevational view thereof;

[58] Field of Search D23/48—50,
D23/55—57, 69; D24/38; 4/2, 4, 5, 146, 148,
149, 161, 162, 173, 175, 178, 180, 185 P, 185
AB, 185, H, 185 L

FIG. 5 is a rear elevational view thereof;

FIG. 6 is a top plan view thereof;

[56] References Cited

U.S. PATENT DOCUMENTS

FIG. 7 is a cross sectional view taken on line 7—7 of FIG. 6;

D. 214,270	5/1969	Bonsack	D23/55
D. 216,466	1/1970	Armstrong	D23/55
D. 227,101	6/1973	Primault	D23/55
D. 235,105	5/1975	Doman	D23/55
D. 244,292	5/1977	Ridgeway	D23/55
D. 244,855	6/1977	Doman	D23/55

FIG. 8 is a cross sectional view taken on line 8—8 of FIG. 3; and

FIG. 9 is a cross sectional view taken on line 9—9 of FIG. 3.

The broken line representation of plumbing fittings and a support module in FIGS. 1 and 2 is for purposes of illustration only.

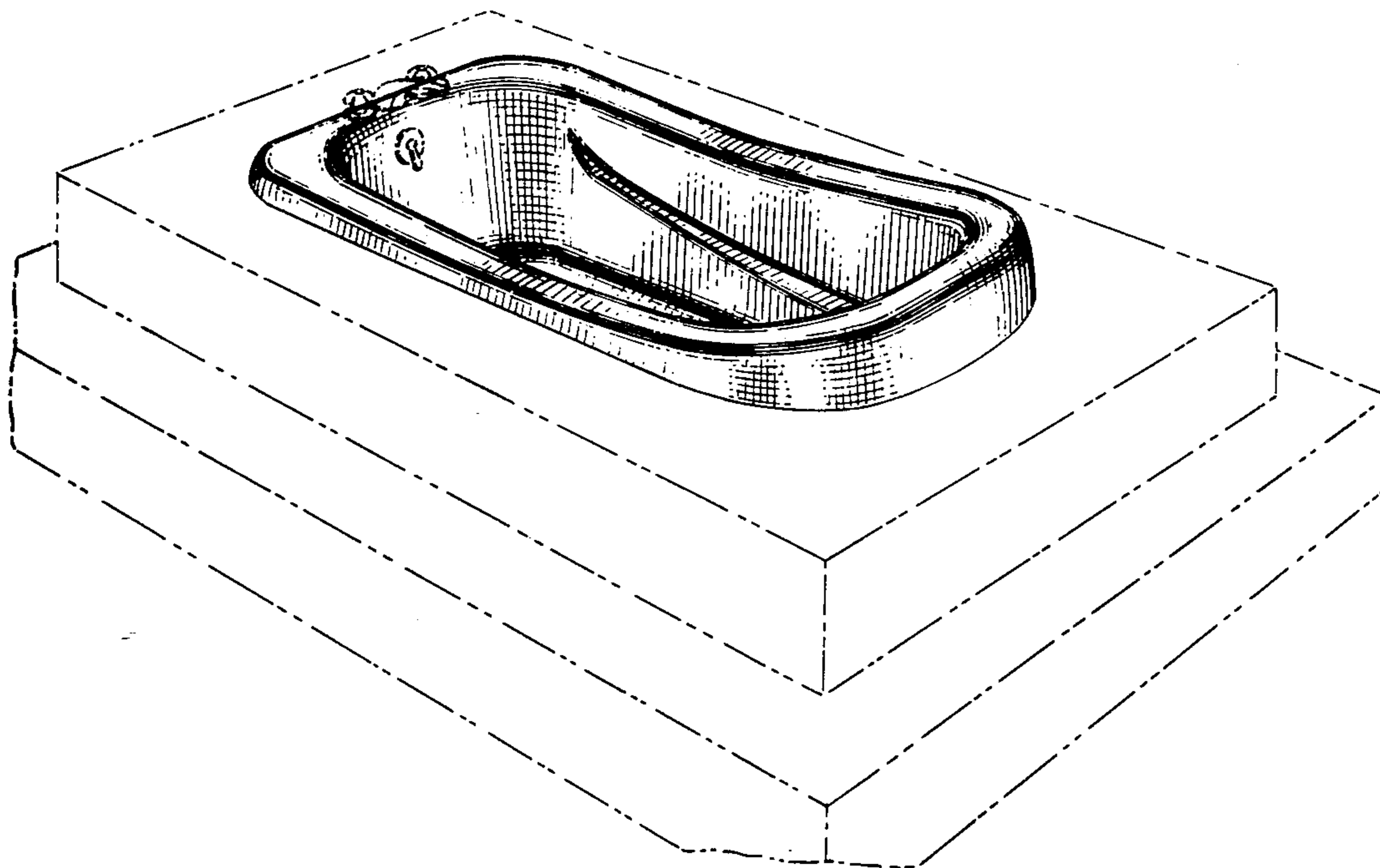
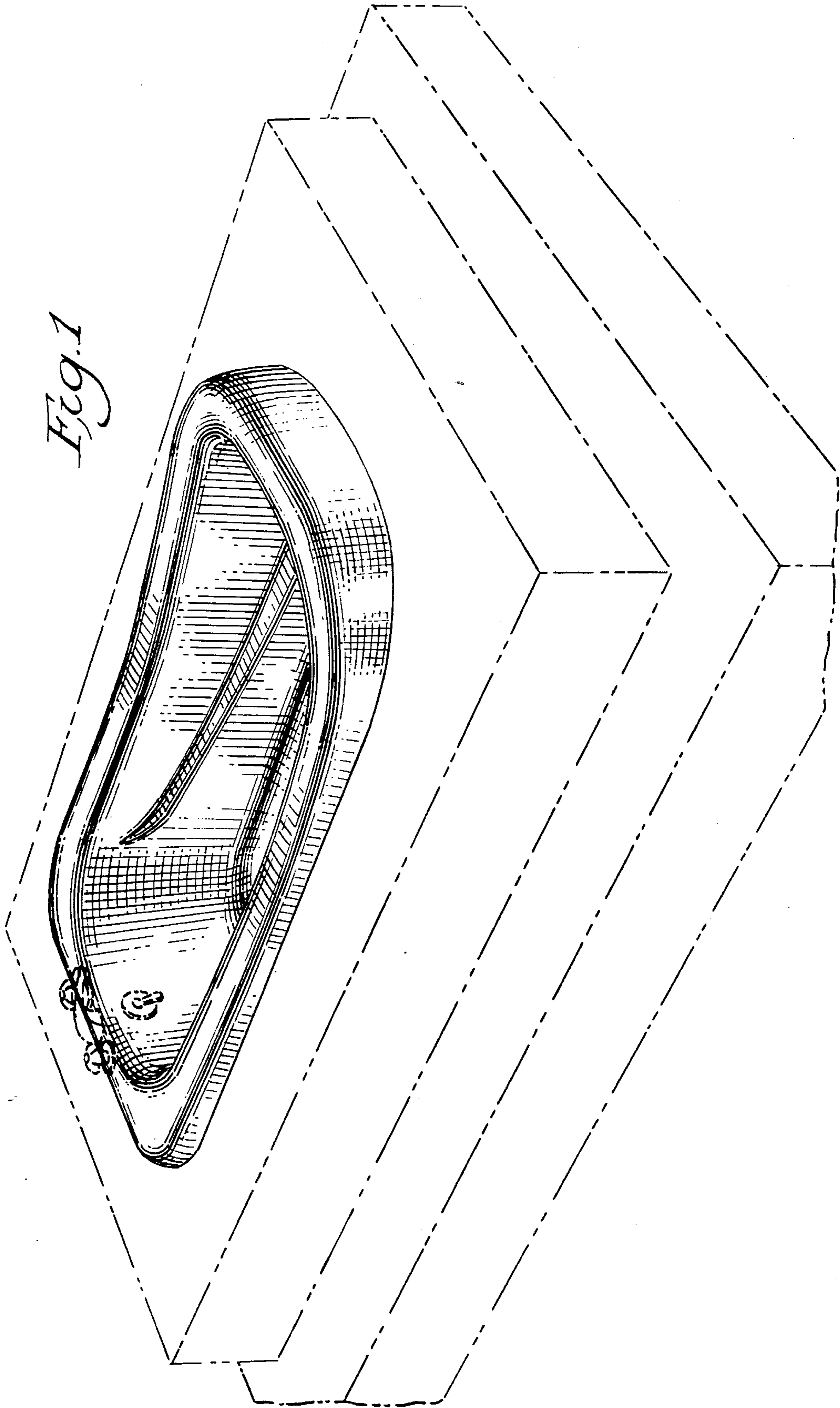


Fig. 1



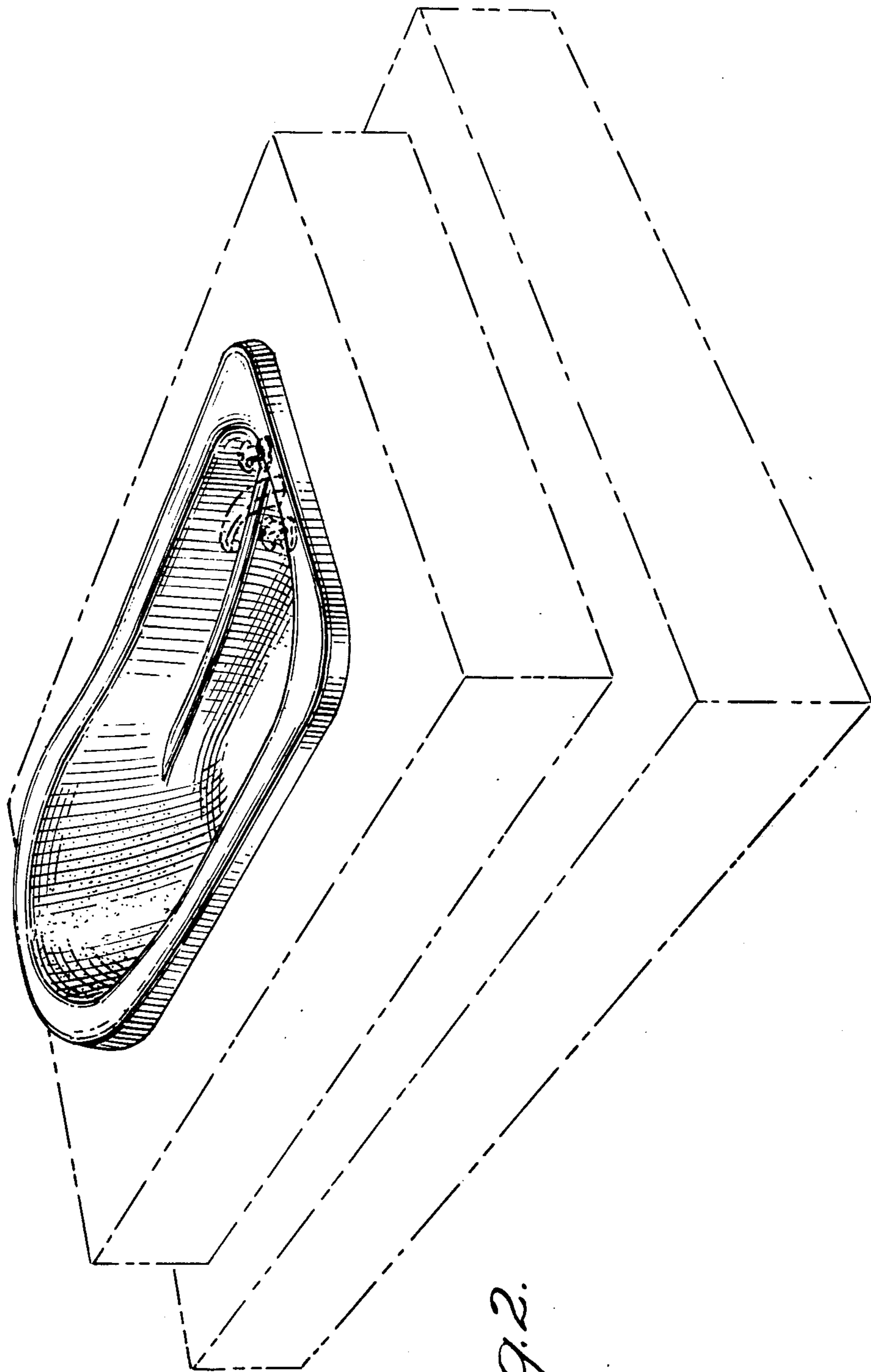


Fig. 2.

Fig. 4.

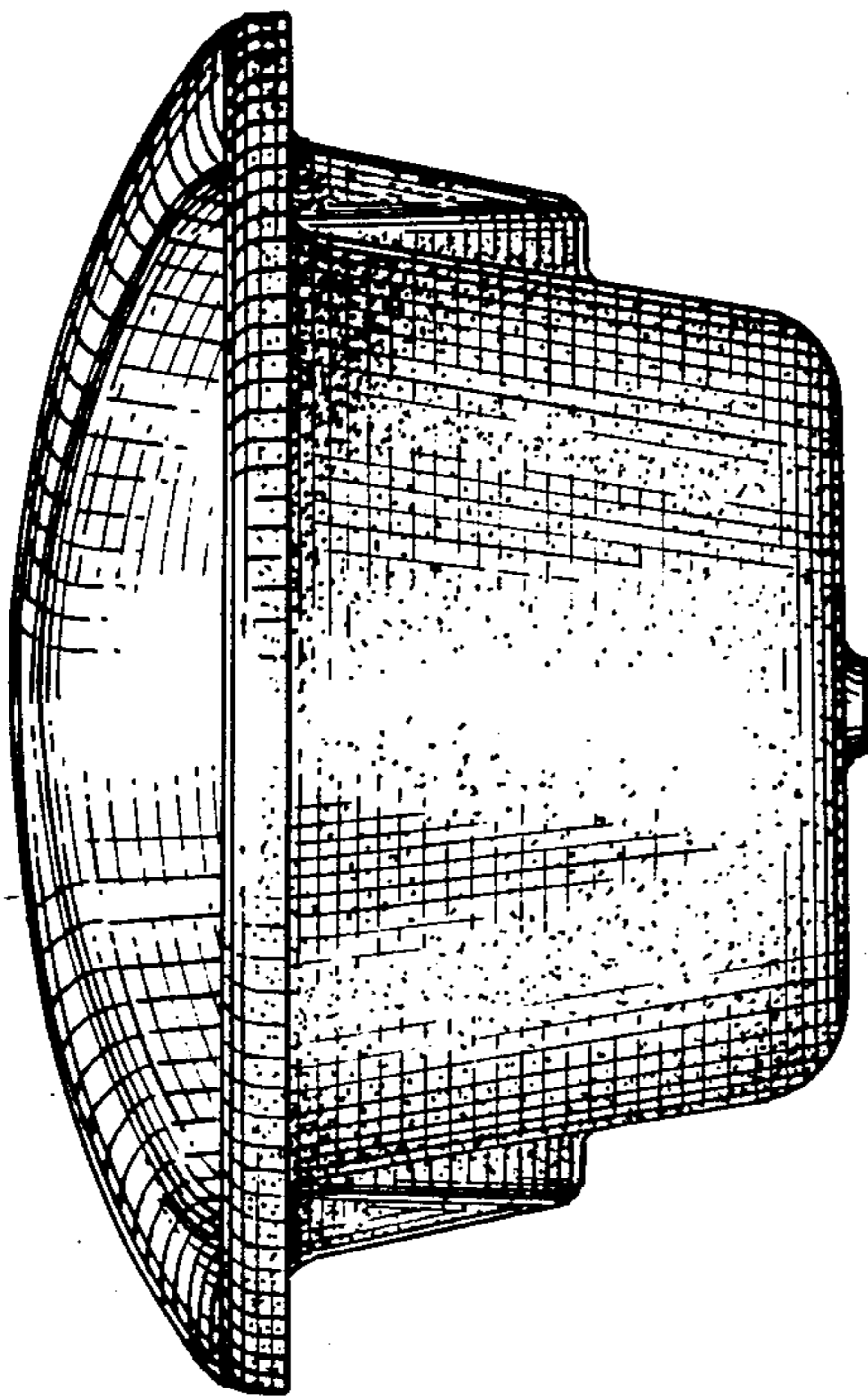


Fig. 5.

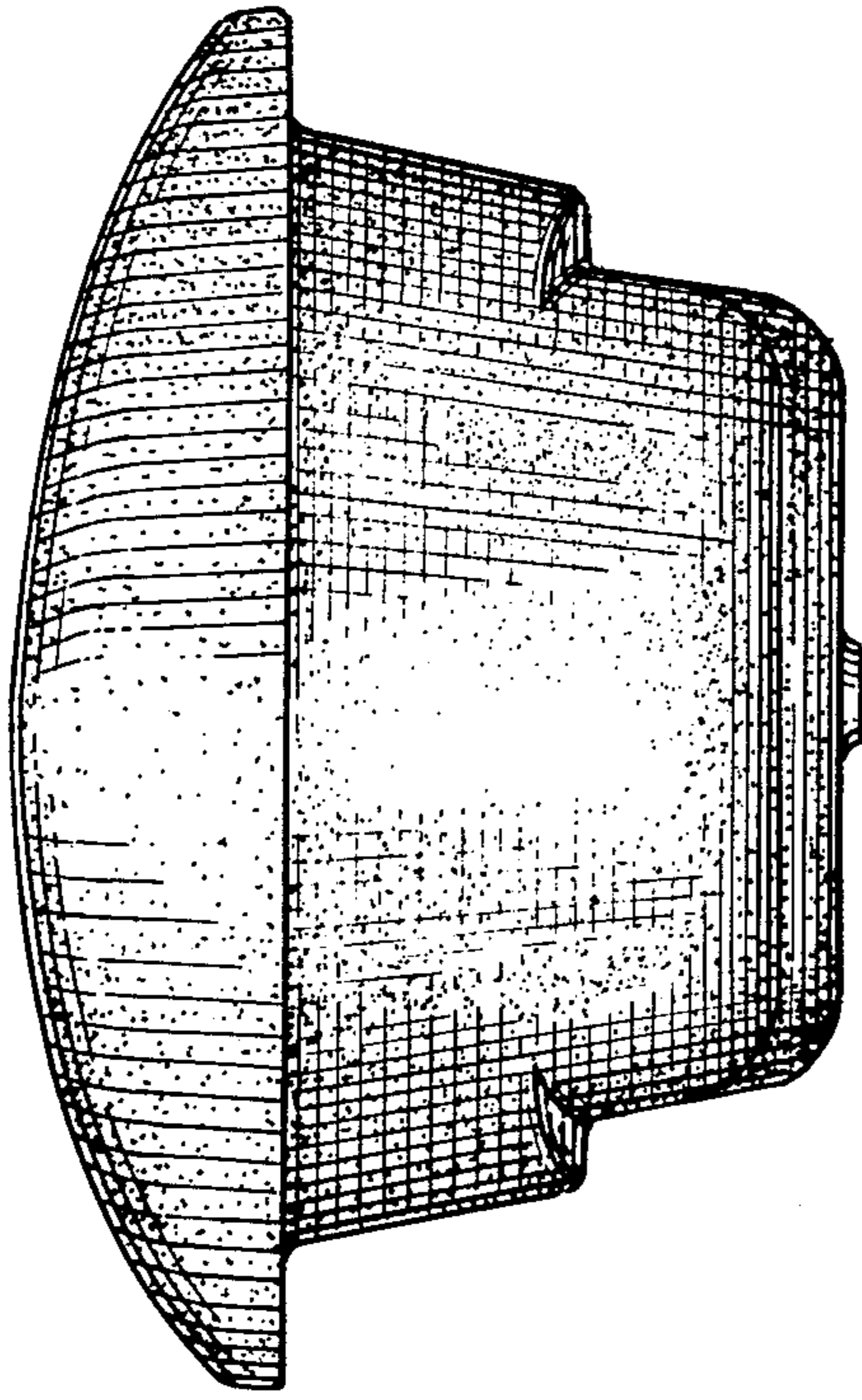


Fig. 3.

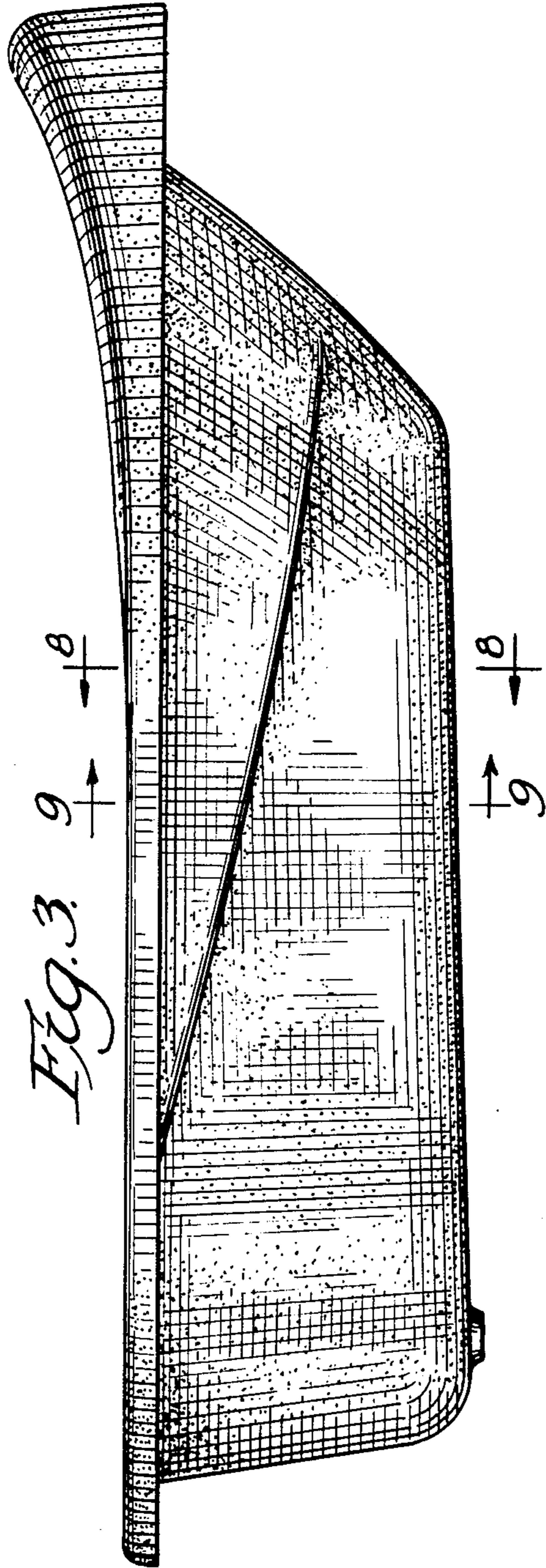
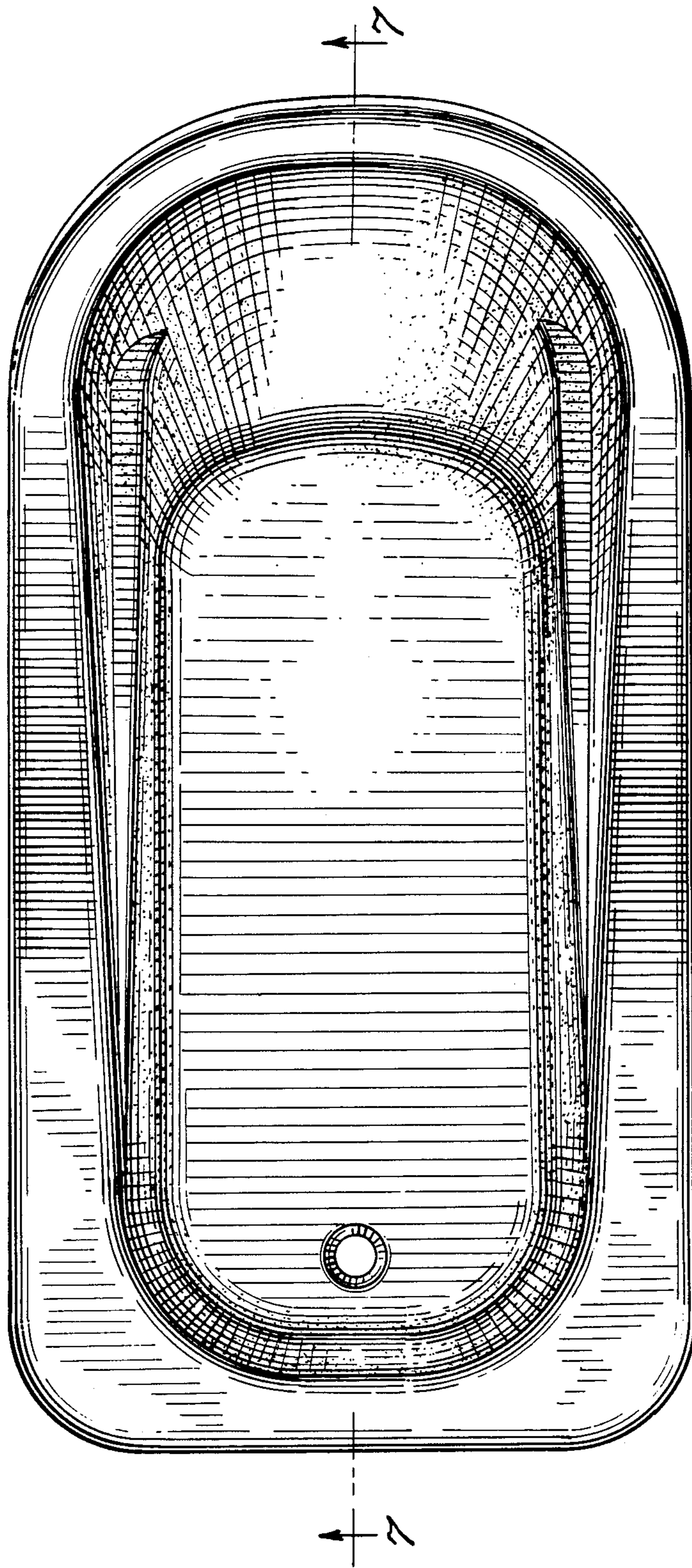


Fig. 6.



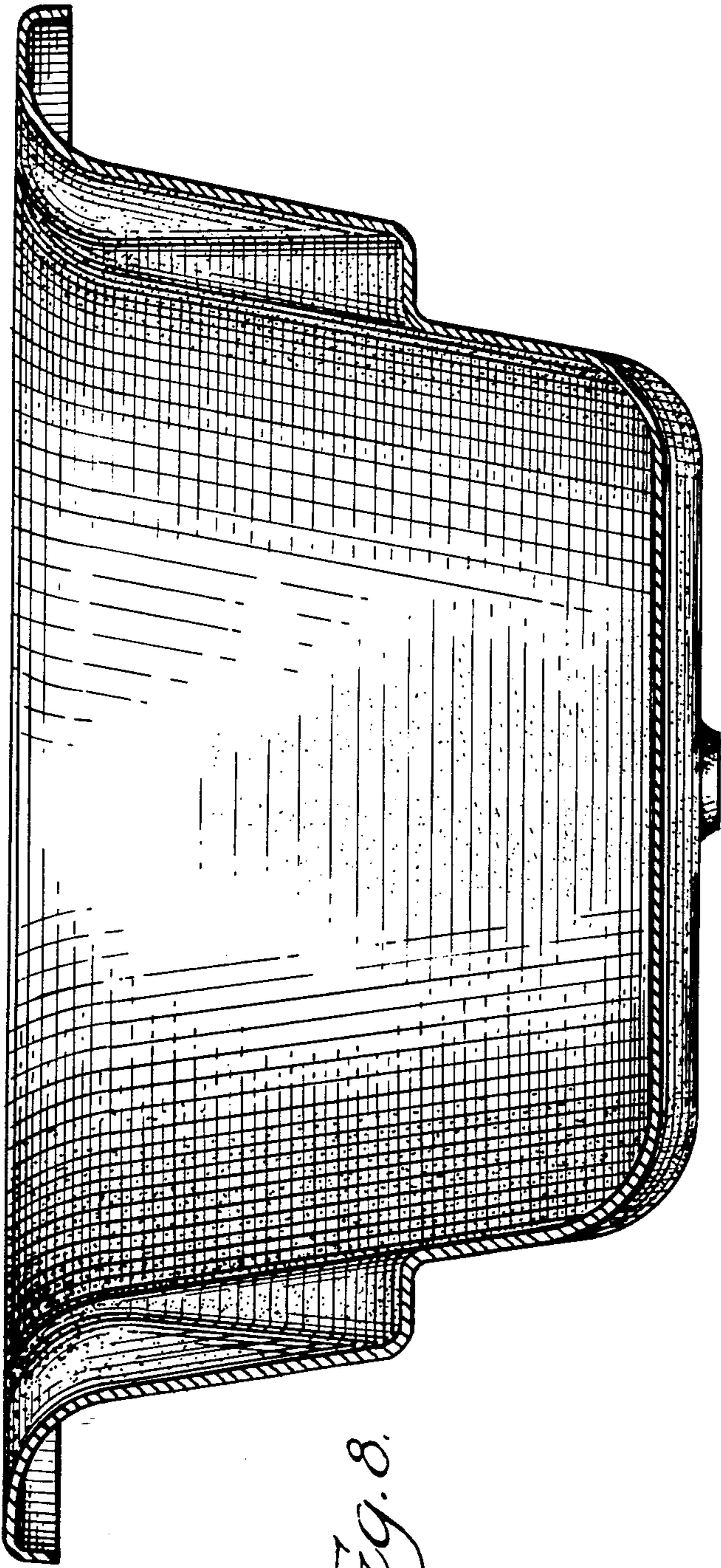


Fig. 8.

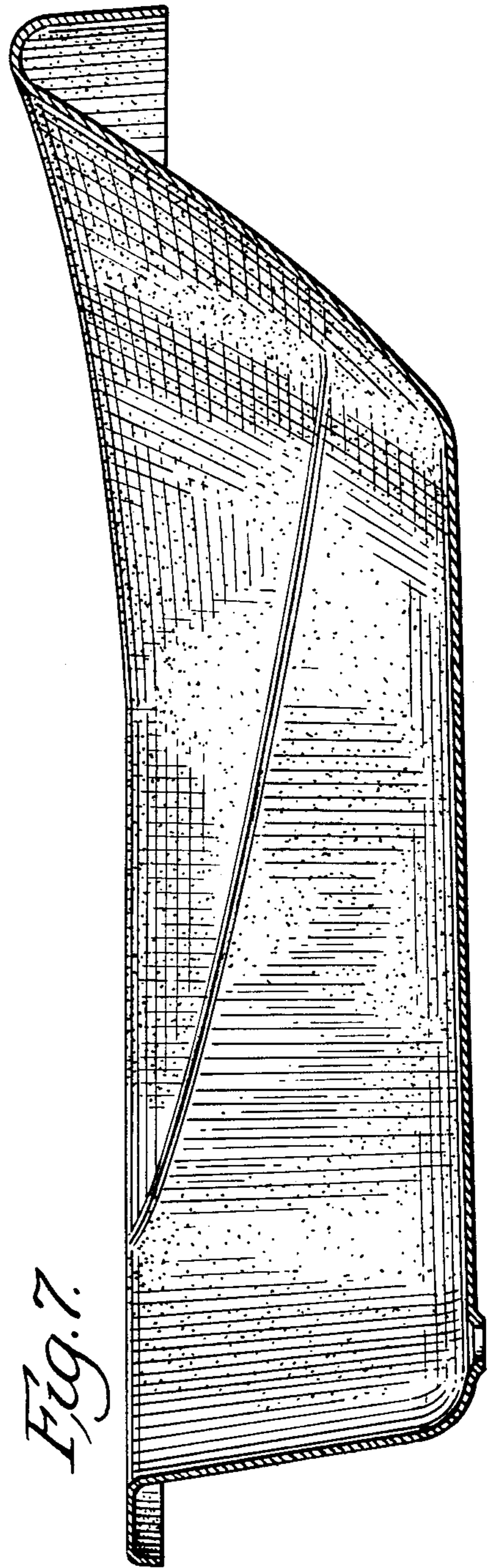


Fig. 7.

Fig. 9.

