

[54] HAND-HELD PROTECTIVE ELECTRIC PROD

[76] Inventor: John L. Bugler, 401 E. 105th Ter., Kansas City, Mo. 64131

[**] Term: 14 Years

[21] Appl. No.: 832,077

[22] Filed: Sep. 9, 1977

Related U.S. Application Data

[63] Continuation-in-part of Ser. No. 718,391, Aug. 27, 1976, Pat. No. Des. 247,324.

[51] Int. Cl. D22-02

[52] U.S. Cl. D22/1

[58] Field of Search D22/1, 3, 10, 99; 42/1 G; 273/84 ES

[56] References Cited

U.S. PATENT DOCUMENTS

D. 203,599	2/1966	Hiser	D22/3
D. 224,738	9/1972	Hogarth	D22/99
2,253,315	8/1941	Andrus	273/84 ES X
3,707,793	1/1973	Holton	42/1 G
4,034,497	7/1977	Yanda	42/1 G

Primary Examiner—A. Hugo Word
Attorney, Agent, or Firm—Gordon D. Schmidt

[57] CLAIM

The ornamental design for a hand-held protective electric prod, as shown.

DESCRIPTION

FIG. 1 is a side elevational view of the hand-held protective electric prod showing my new design; FIG. 2 is a top plan view thereof; FIG. 3 is a front elevational view thereof; FIG. 4 is a bottom plan view thereof; FIG. 5 is a rear elevational view thereof; and FIG. 6 is a side elevational view showing the side opposite to that shown in FIG. 1.

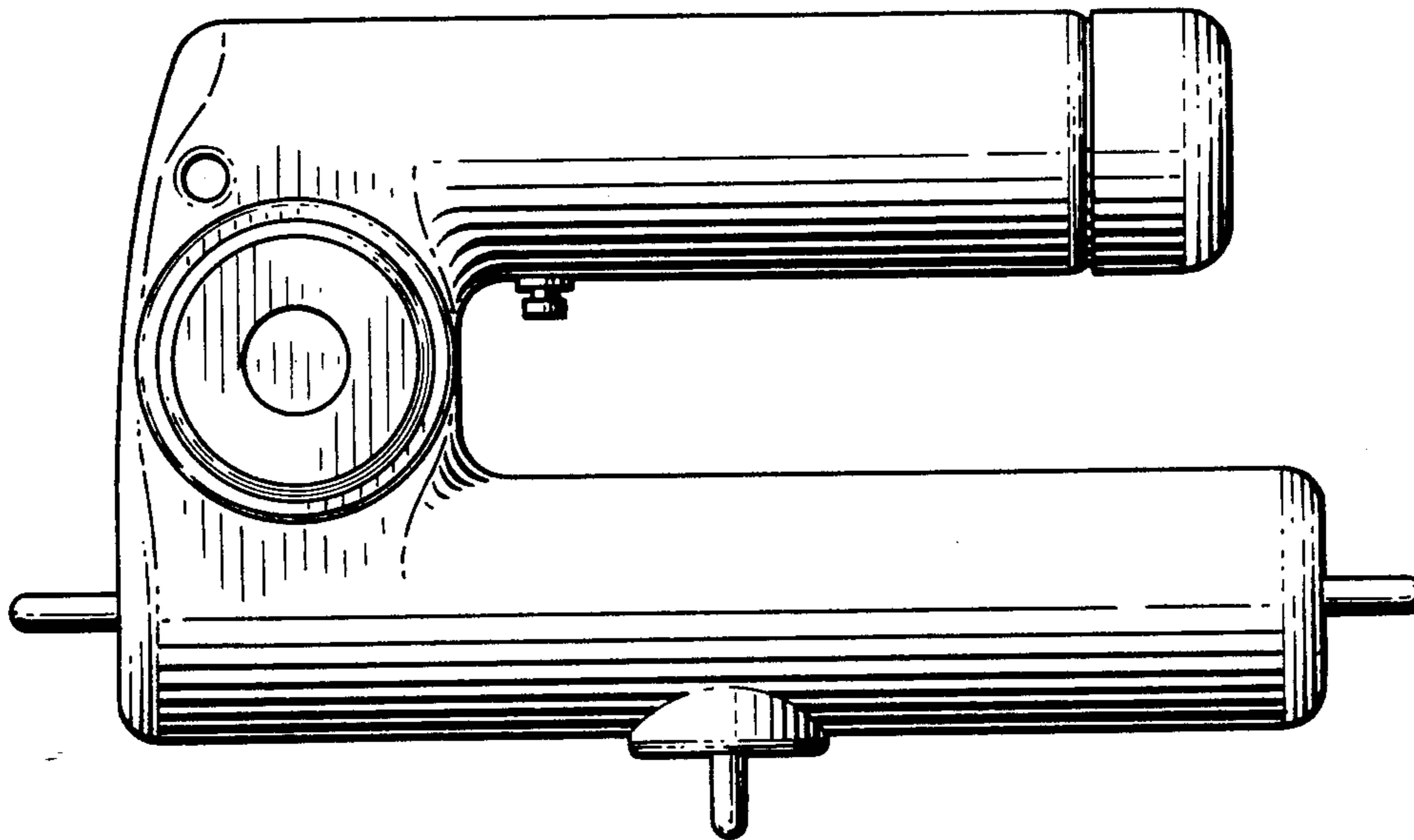


Fig. 2.

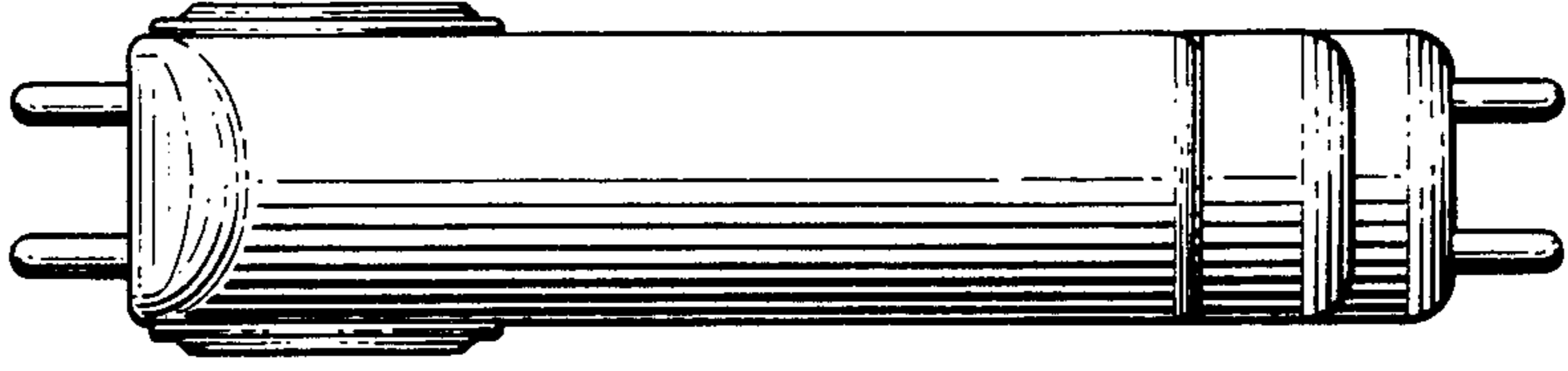


Fig. 3.

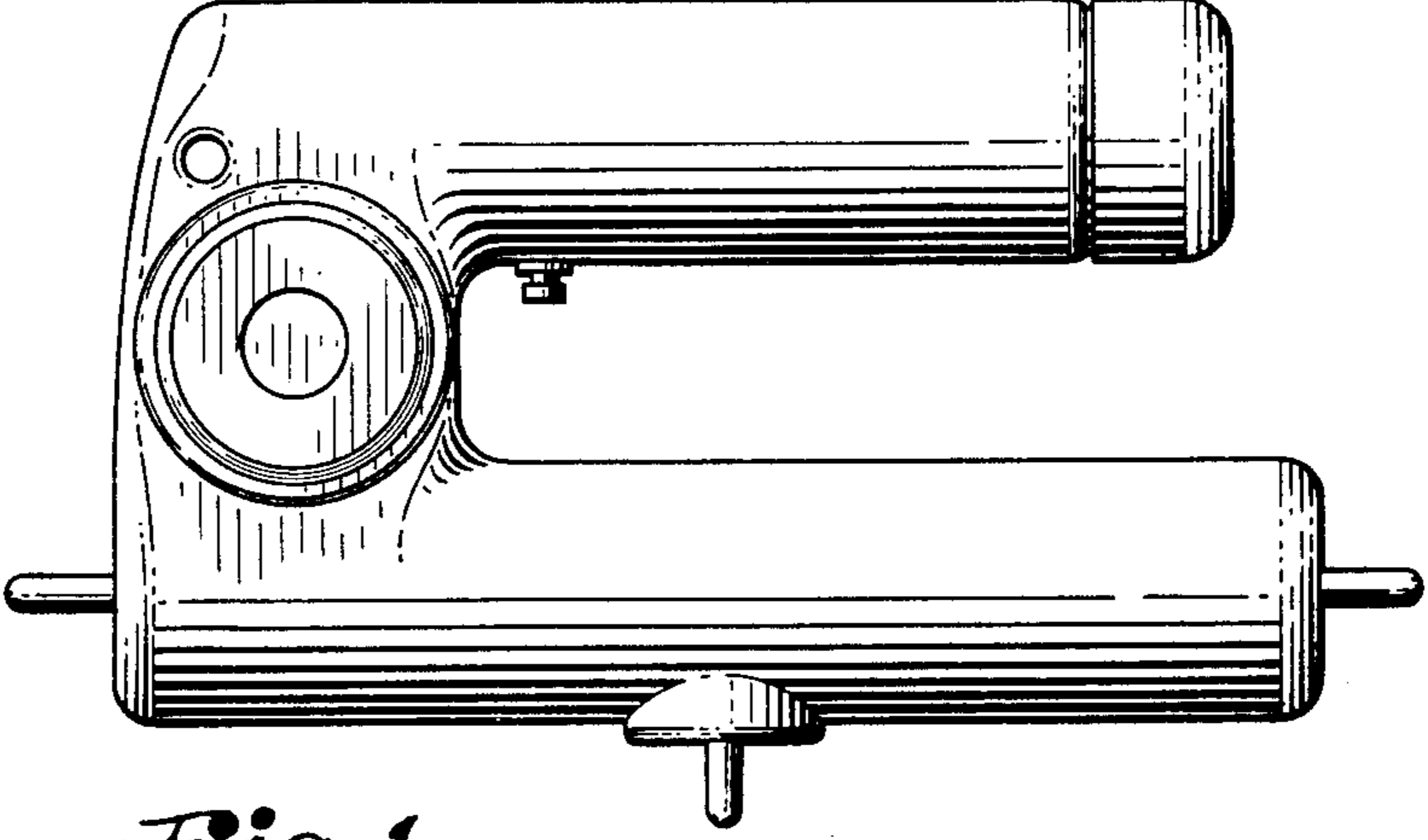
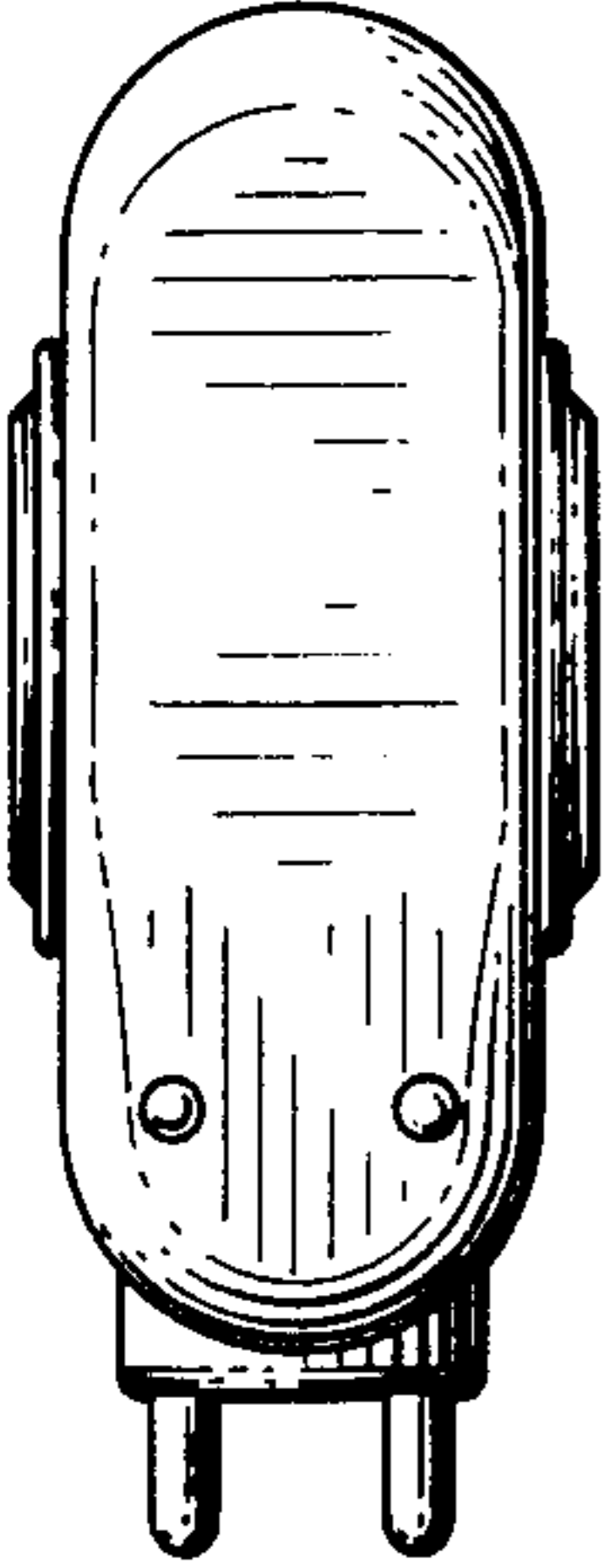


Fig. 1.

Fig. 4.

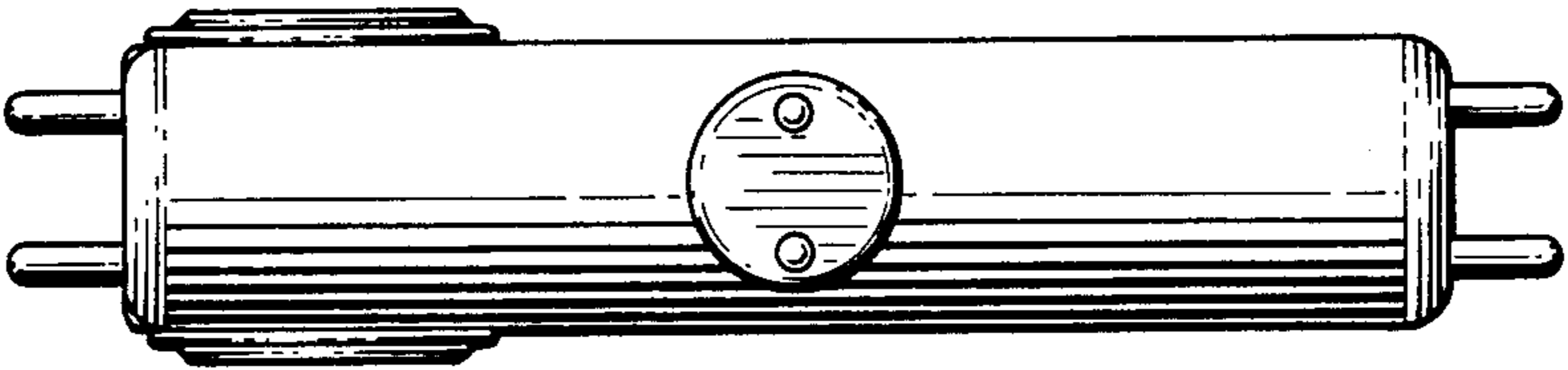


Fig. 5.

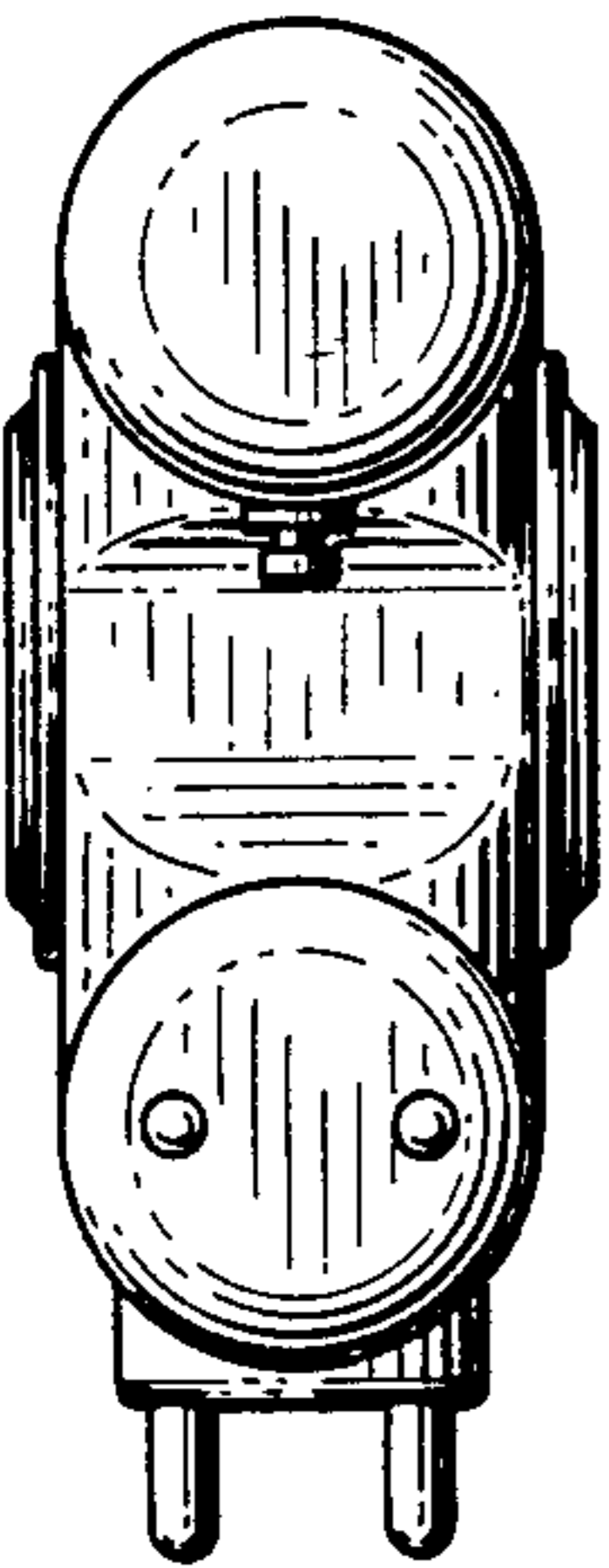


Fig. 6.

