

[54] PRINTING MACHINE

[76] Inventor: Alfred Schott, Ludwig-Richter-Allee 24,, 8122 Radebeul, German Democratic Rep.

[**] Term: 14 Years

[21] Appl. No.: 815,412

[22] Filed: Jul. 13, 1977

[51] Int. Cl. D18-02

[52] U.S. Cl. D18/13

[58] Field of Search D64/10.1, 11 R; D14/50; 101/174, 183, 181; D18/13

[56] References Cited

U.S. PATENT DOCUMENTS

D. 192,394	3/1962	Behnk	D64/11 R
3,847,079	11/1974	Dahlgren	101/174 X
3,960,079	6/1976	Capetti	101/183 X

OTHER PUBLICATIONS

HCM Champion 438, Flyer-Photo on Front & Diagrams on back.

Inland Printer/American Lithographer, Aug. 1973, p. 64-Harris N-1680, at top right.

Primary Examiner—Louis S. Zarfes

Attorney, Agent, or Firm—Michael J. Striker

[57] CLAIM

The ornamental design for a printing machine, substantially as shown and described.

DESCRIPTION

FIG. 1 is a top perspective view from the front and left side showing my new design;

FIG. 2 is a top perspective view from the rear and right side thereof;

FIG. 3 is a front elevational view thereof;

FIG. 4 is a top-plan view thereof;

FIG. 5 is an end view from the left thereof; and

FIG. 6 is an end view from the right of my novel design.

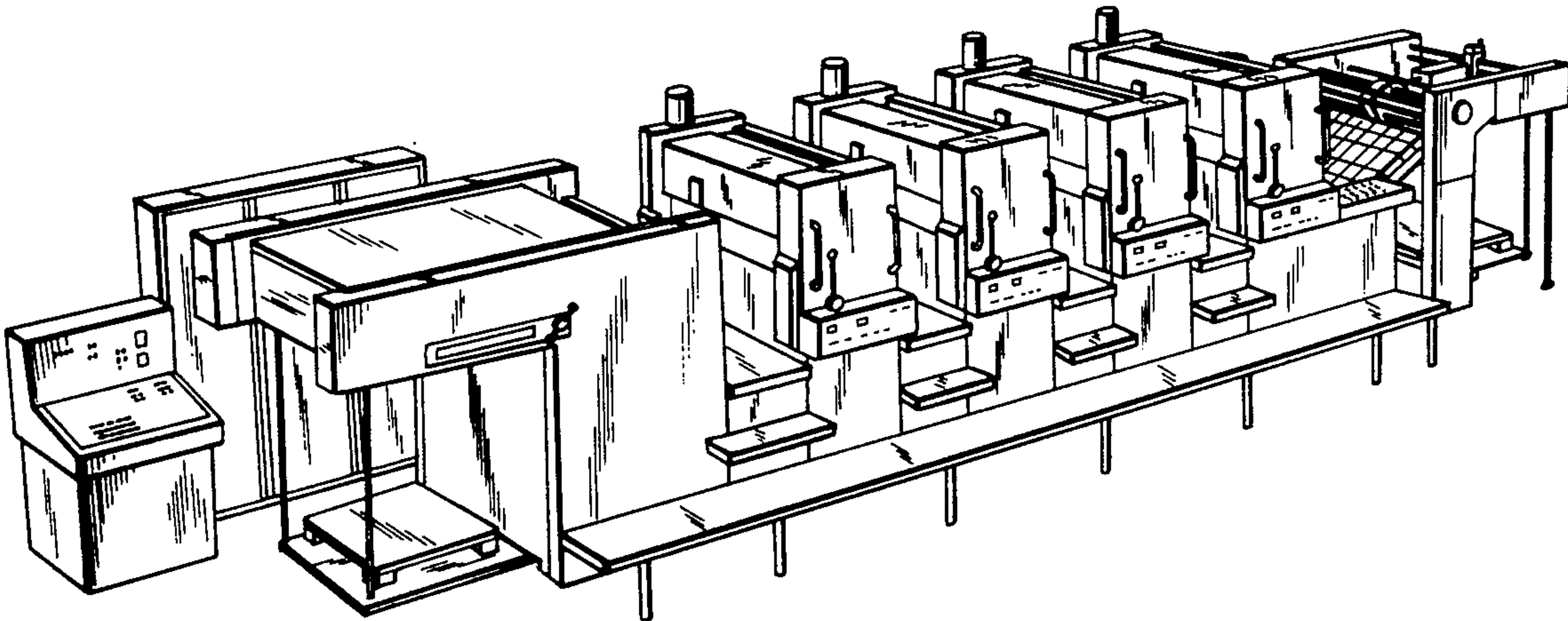


FIG. 1

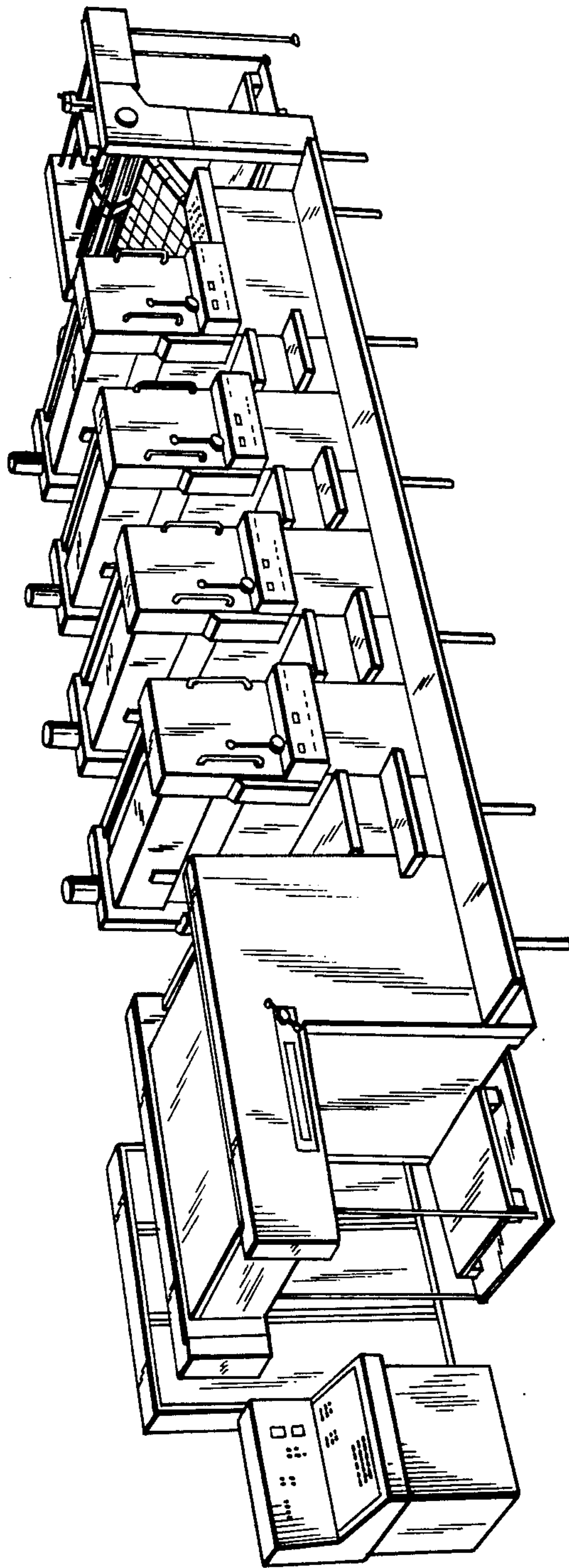


FIG. 2

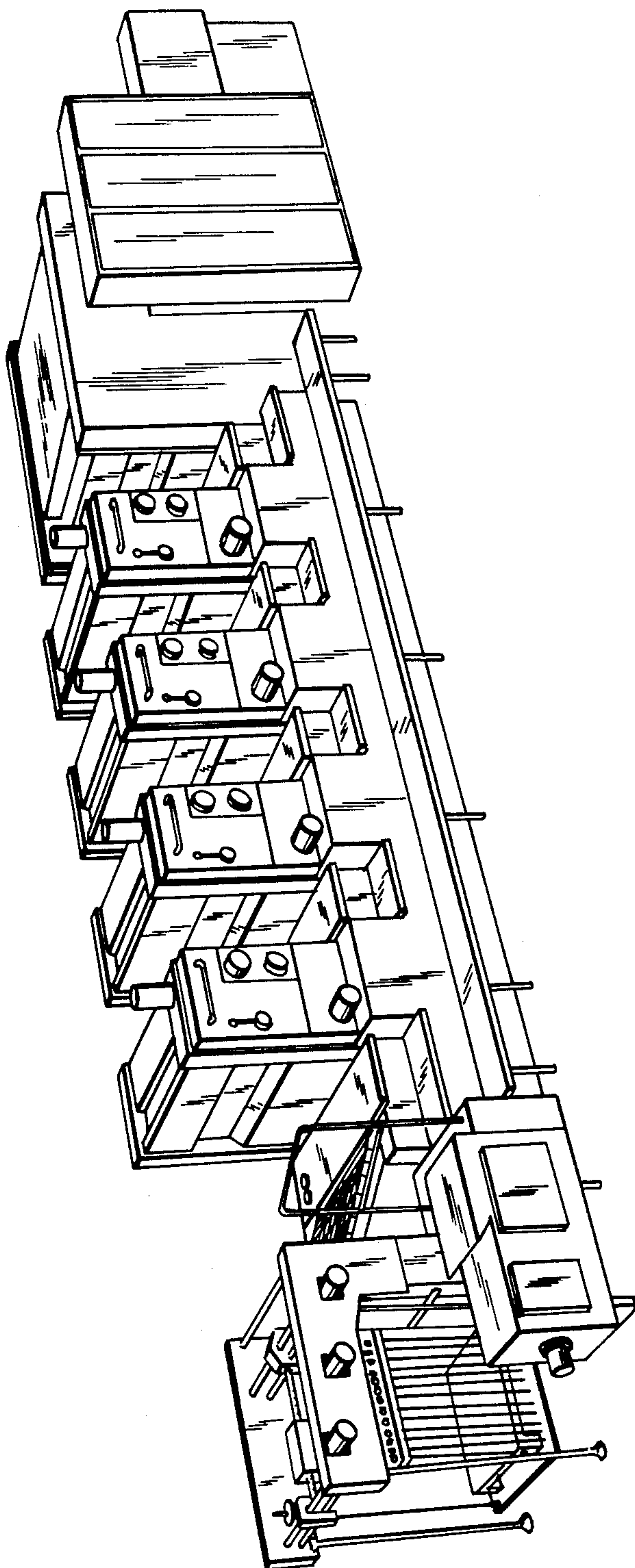


FIG. 3

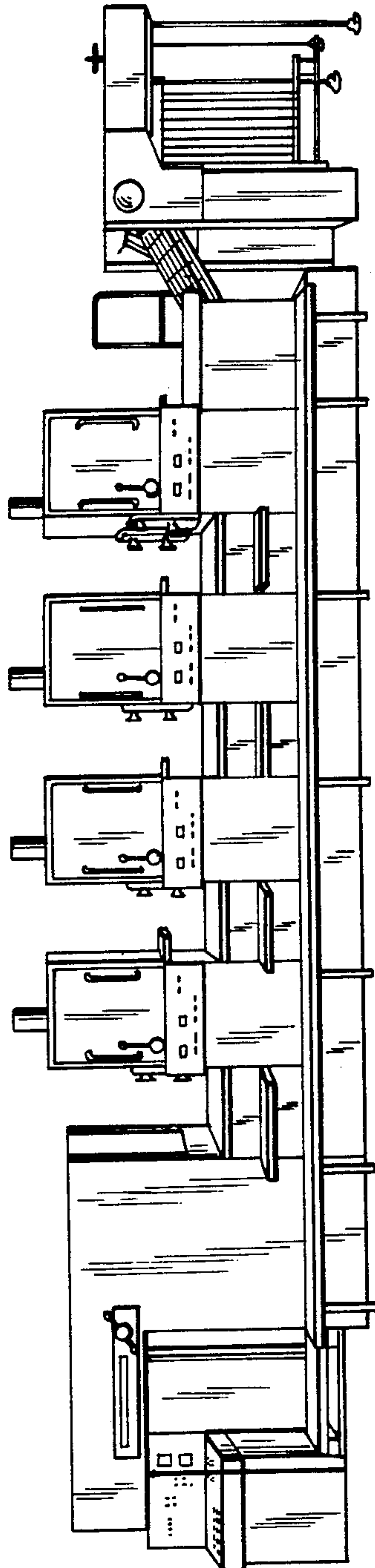


FIG. 4

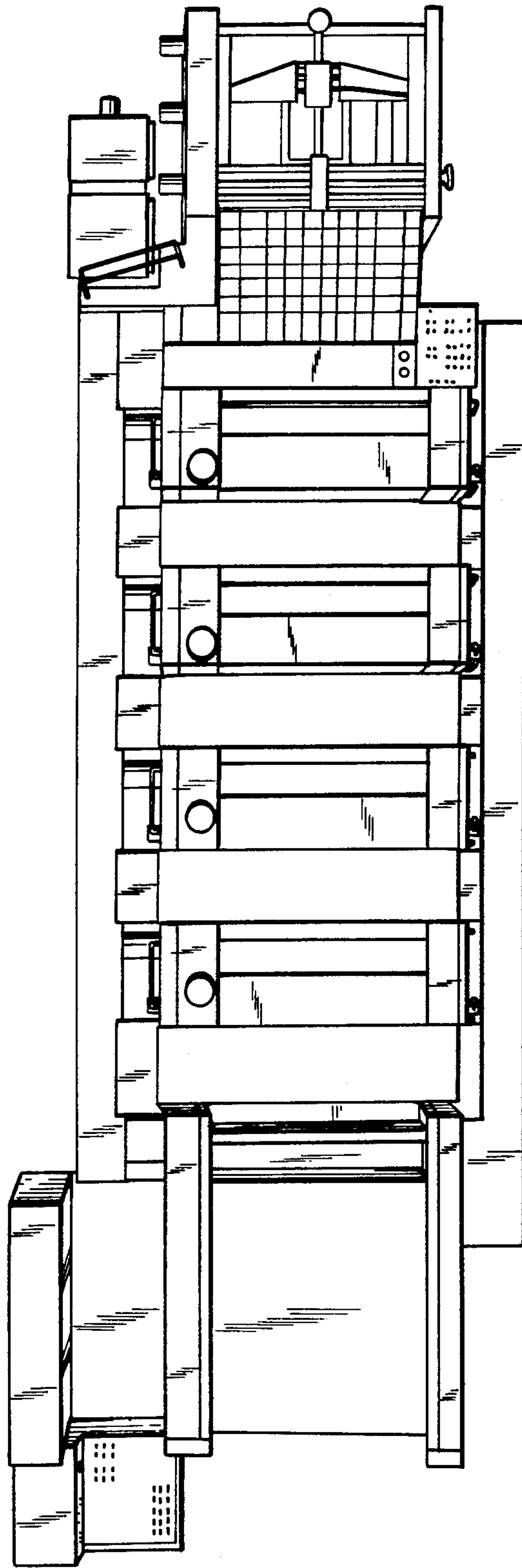


FIG. 5

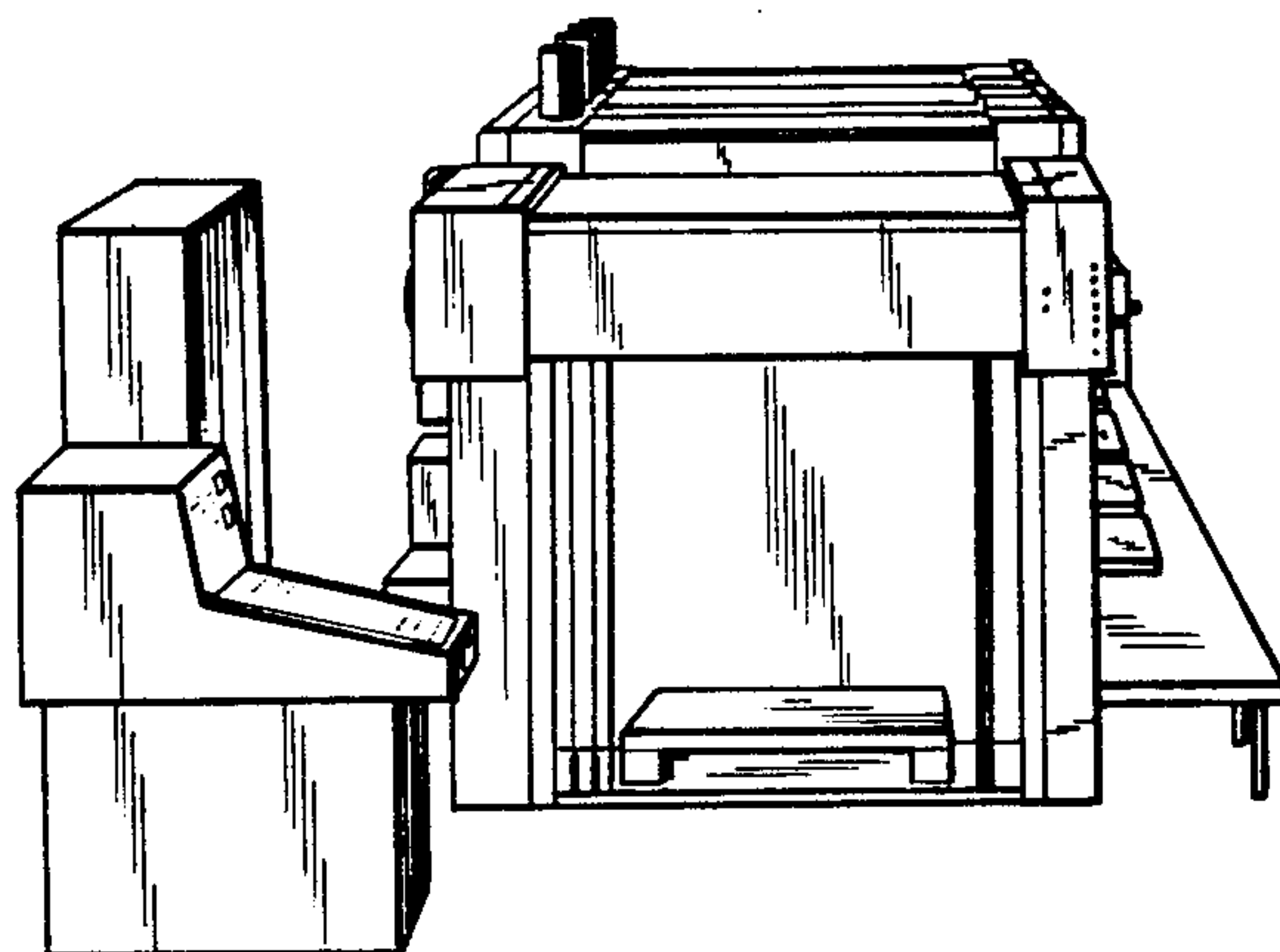


FIG. 6

