

[54] TELEVISION CAMERA

[76] Inventors: John D. Wheeler; Linda D. Wheeler, both of 21113 Superior St., Chatsworth, Calif. 91311

[**] Term: 14 Years

[21] Appl. No.: 799,749

[22] Filed: May 23, 1977

[51] Int. Cl. D16-01; D14-03

[52] U.S. Cl. D14/78; D16/04

[58] Field of Search D16/1, 2, 3, 4; D14/78; 352/1, 34, 95, 72, 242; 354/126, 145; 361/3-18

[56] References Cited

U.S. PATENT DOCUMENTS

- D. 223,410 4/1972 Larson D14/78
- D. 241,072 8/1976 McMann, Jr. et al. D14/78

- D. 241,738 10/1976 Lee et al. D16/1
- D. 243,171 1/1977 Sakashita D16/1
- D. 243,600 3/1977 Slany D16/1
- 3,295,425 1/1967 Bing et al. D16/4 X

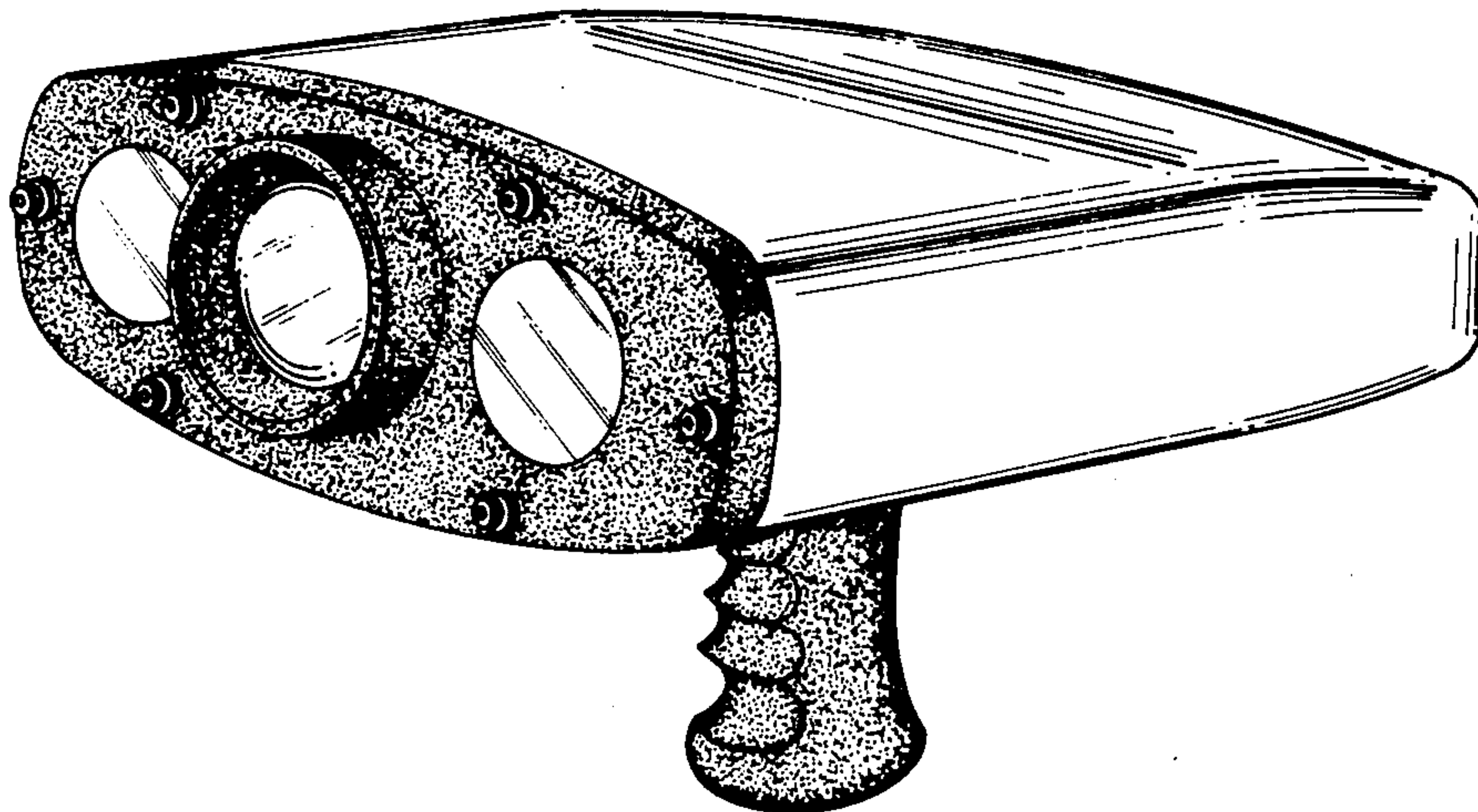
Primary Examiner—Wallace R. Burke
Assistant Examiner—Catherine Kemper
Attorney, Agent, or Firm—Saul Epstein

[57] CLAIM

The ornamental design for a television camera, substantially as shown and described.

DESCRIPTION

FIG. 1 is a perspective view of a television camera showing our new design;
FIG. 2 is a front elevational view thereof;
FIG. 3 is a top plan view thereof;
FIG. 4 is a right side elevational view thereof;
FIG. 5 is a rear elevational view thereof;
FIG. 6 is a bottom plan view thereof.



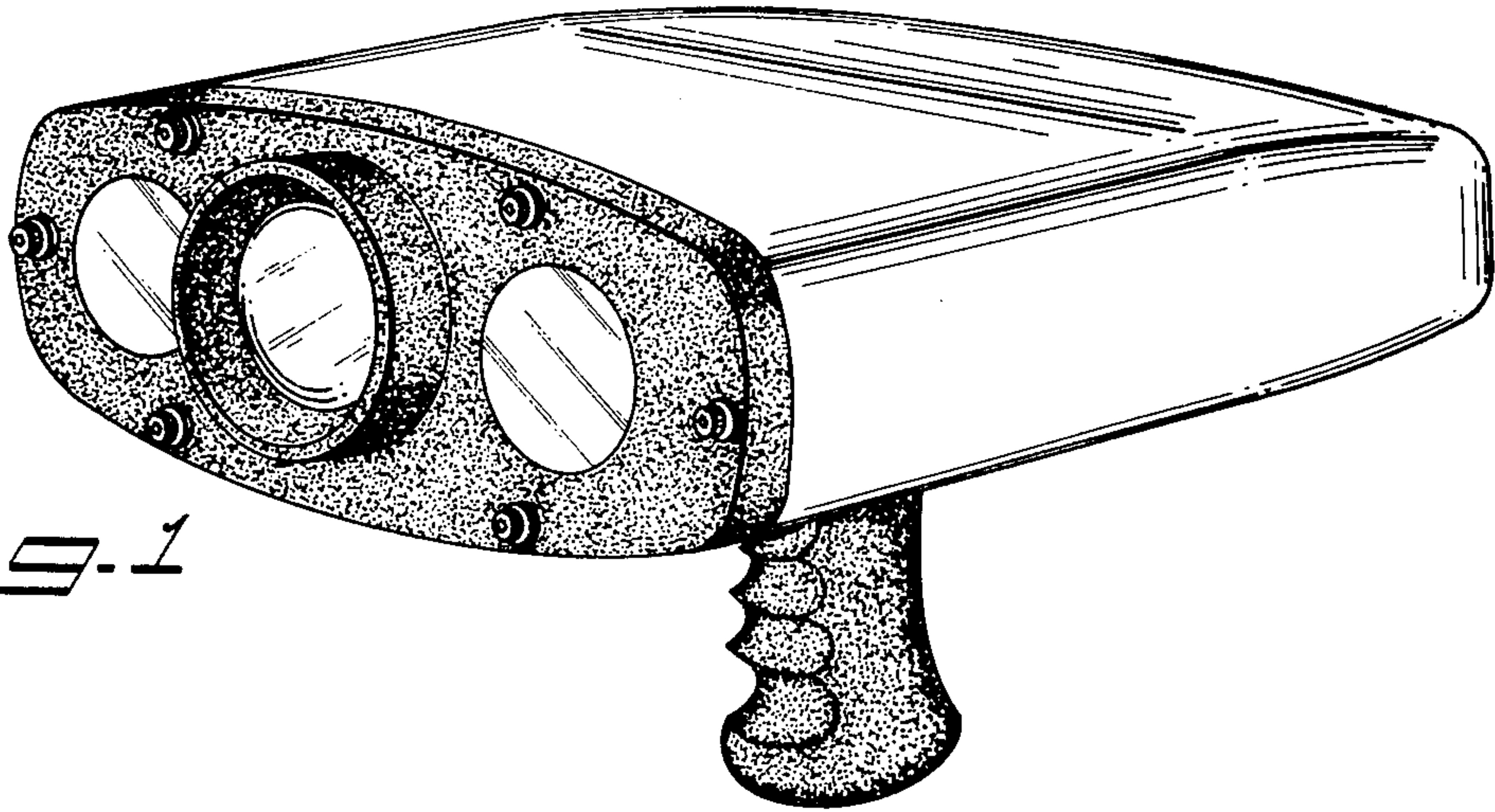


Fig. 1

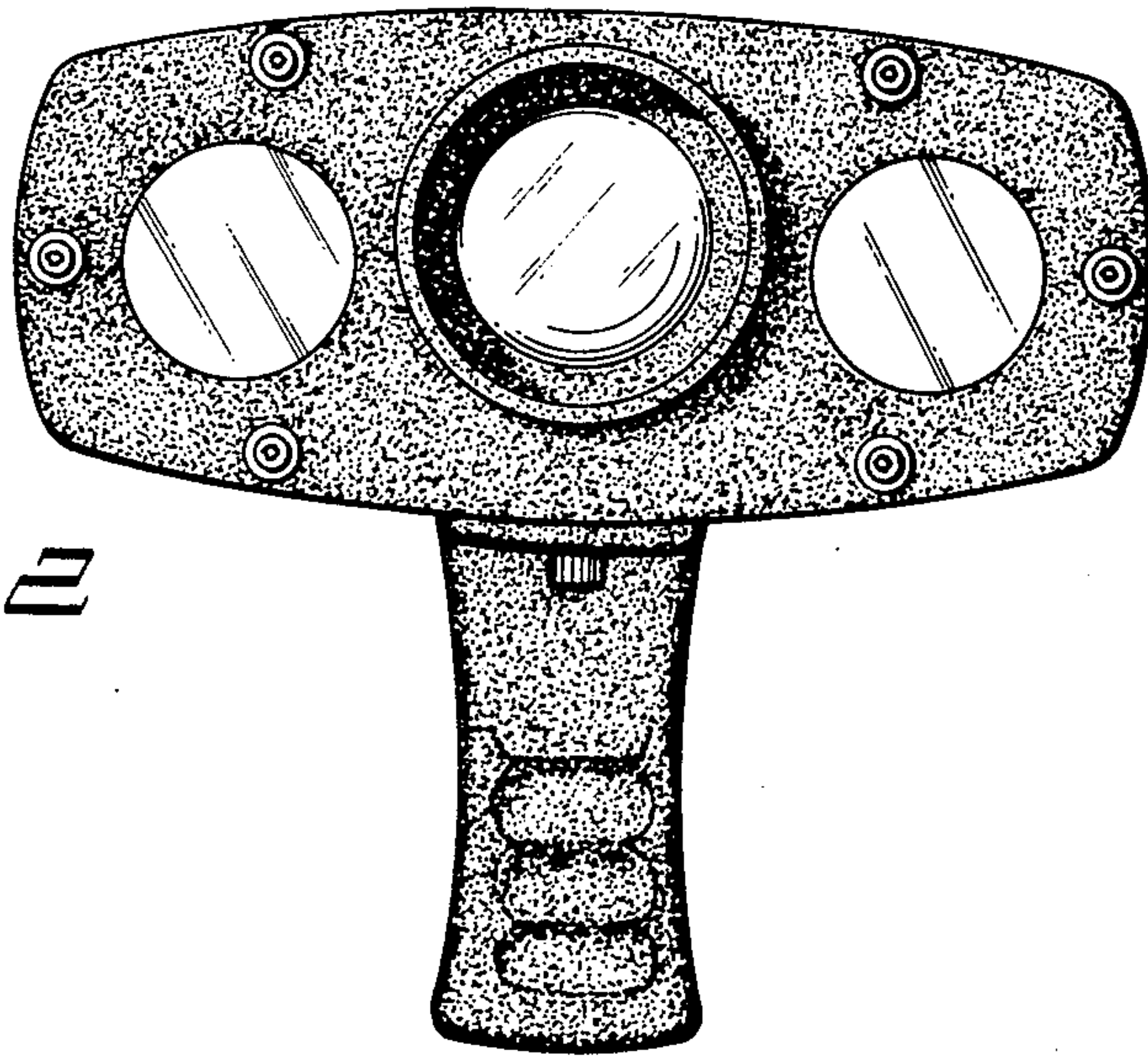


Fig. 2

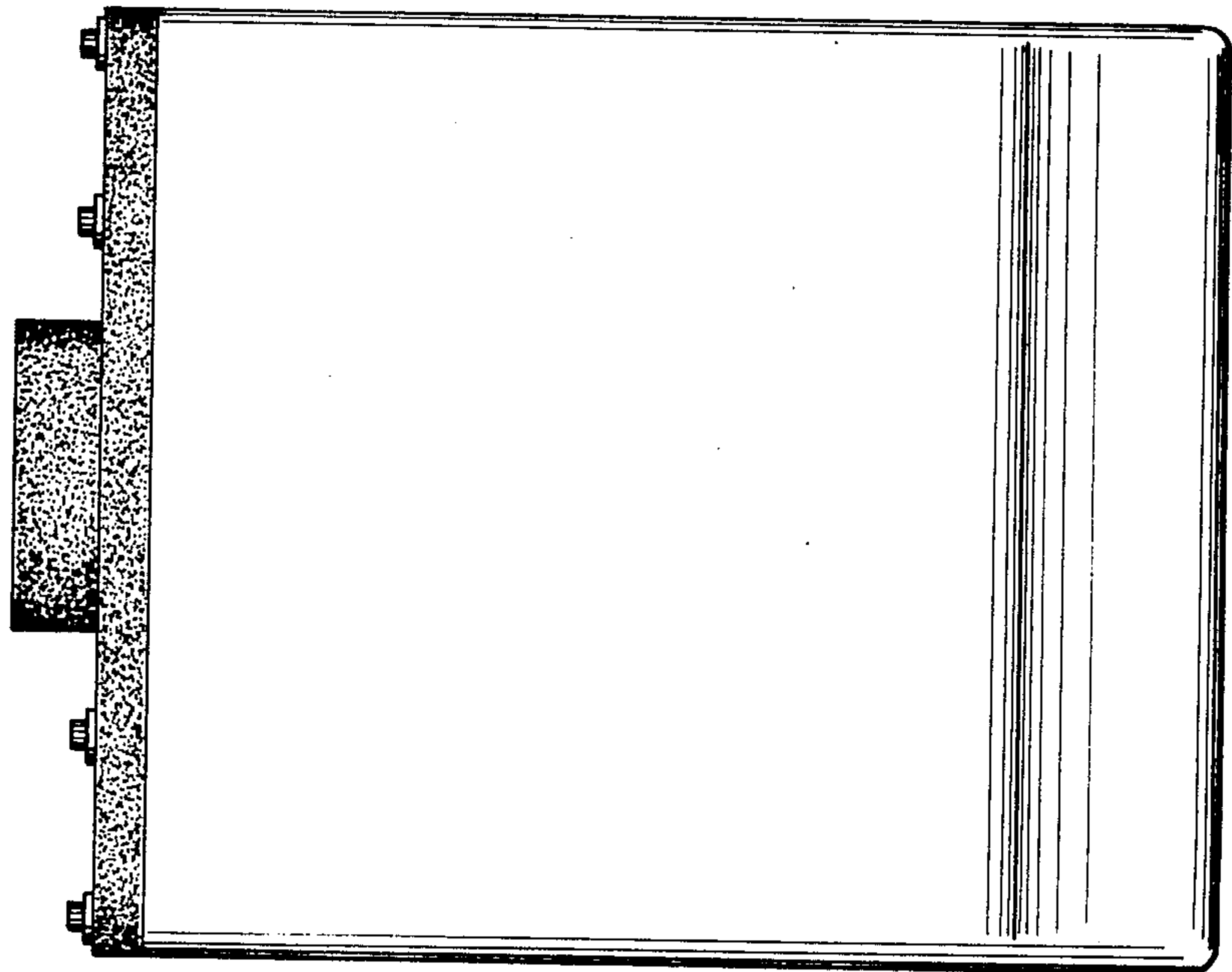


Fig. 3

FIG. 4

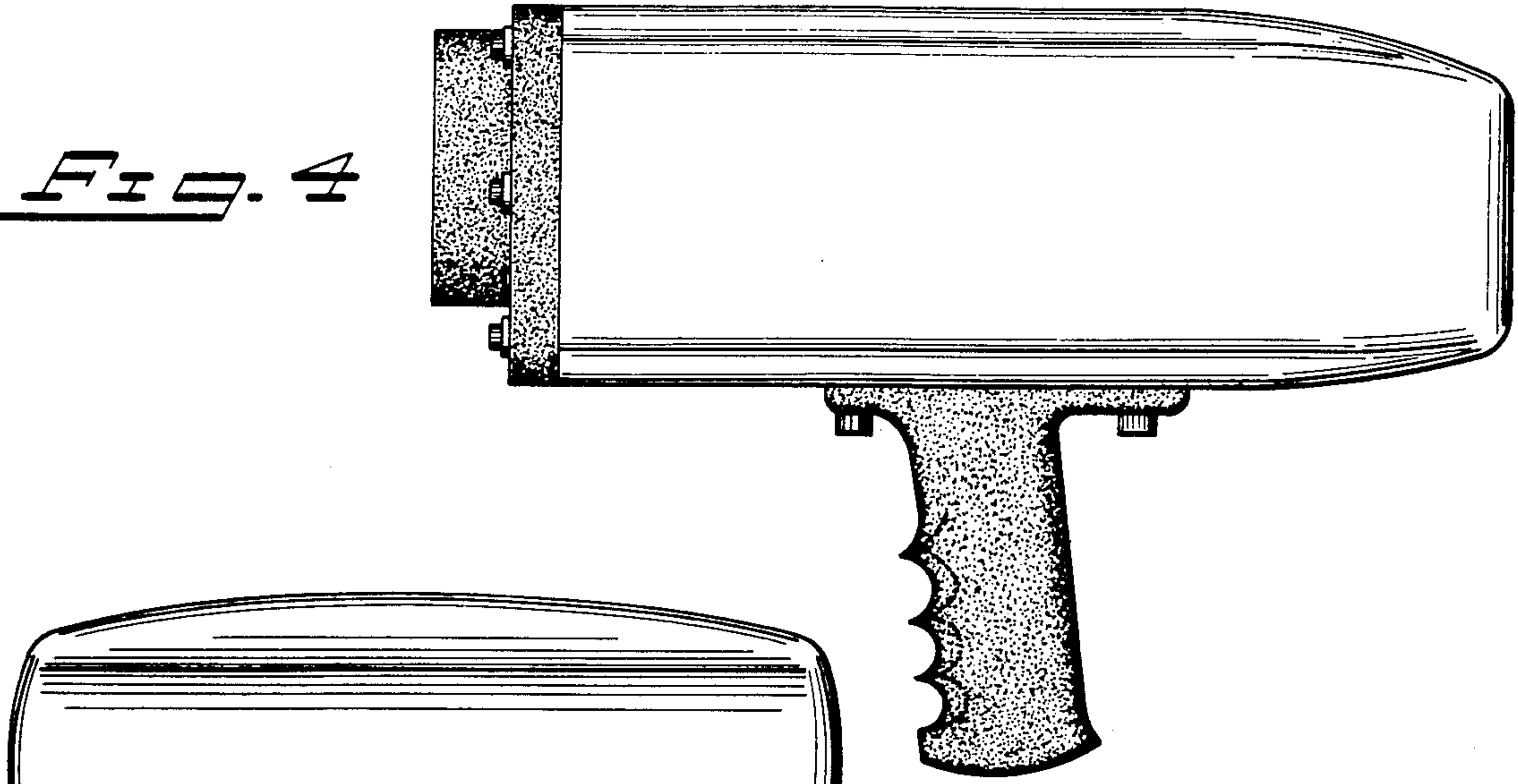


FIG. 5

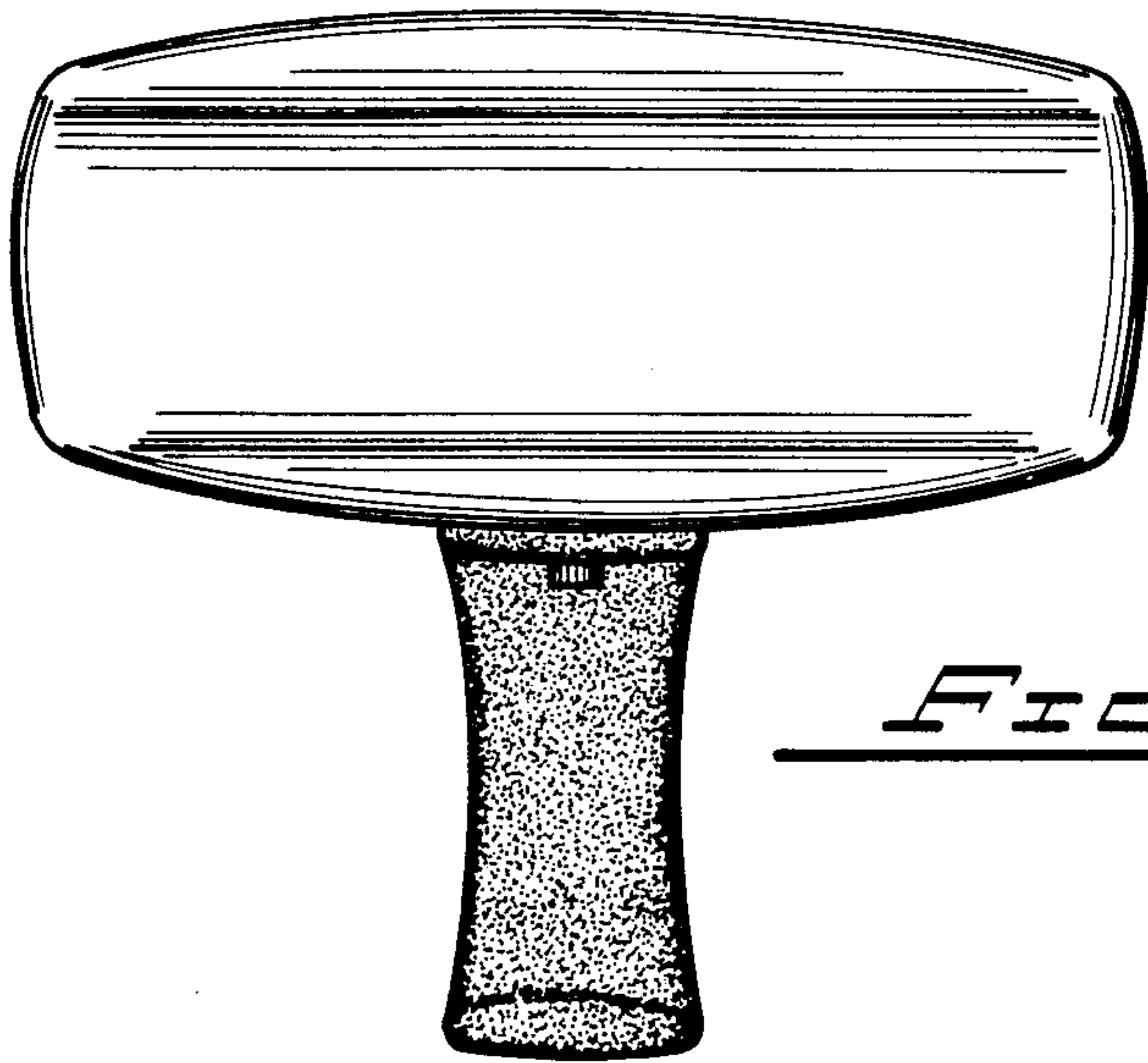


FIG. 6

