

[54] CYCLE BUMPER

[76] Inventor: Anthony Montenare, 326 N. 4th St., Reading, Pa. 19601

[**] Term: 14 Years

[21] Appl. No.: 814,840

[22] Filed: Jul. 11, 1977

[51] Int. Cl. D12-11

[52] U.S. Cl. D12/186

[58] Field of Search D12/114, 186; D11/96; 296/78.1; 280/152.1, 155.5 A, 160.1; 293/61

[56] References Cited

U.S. PATENT DOCUMENTS

D. 130,852 12/1941 Rothschild D11/96
651,660 6/1900 Green 296/78.1

FOREIGN PATENT DOCUMENTS

331745 11/1935 Italy 296/78.1

Primary Examiner—James M. Gandy
Attorney, Agent, or Firm—Penrose Lucas Albright

[57] CLAIM

The ornamental design for a cycle bumper, substantially as shown and described.

DESCRIPTION

FIG. 1 is a perspective view of a cycle bumper showing my new design mounted on a bicycle which has been shown in broken lines for illustrative purposes only.

FIG. 2 is a front elevation view thereof.

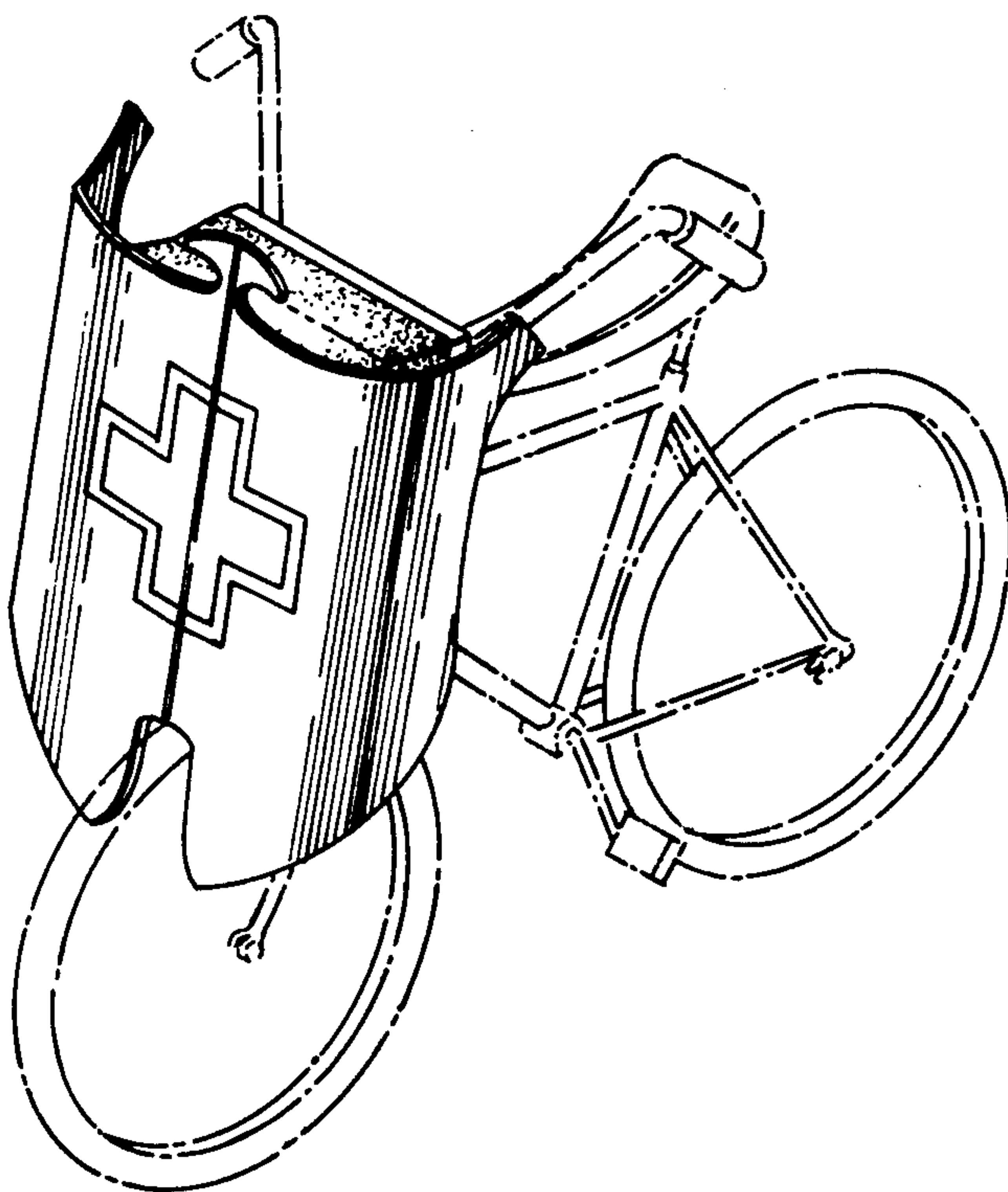
FIG. 3 is a rear elevation view thereof.

FIG. 4 is a side elevation view thereof.

FIG. 5 is a top plan view thereof.

FIG. 6 is a bottom plan view thereof.

FIG. 7 is an enlarged front elevation view of a cycle bumper showing a second embodiment of my new design, the only differences being in the configuration of the cutout in the shield and the size of the cross thereon, it being understood that the mounting assembly shown in FIGS. 1, 3, 4, 5 and 6 has been omitted for convenience of illustration.



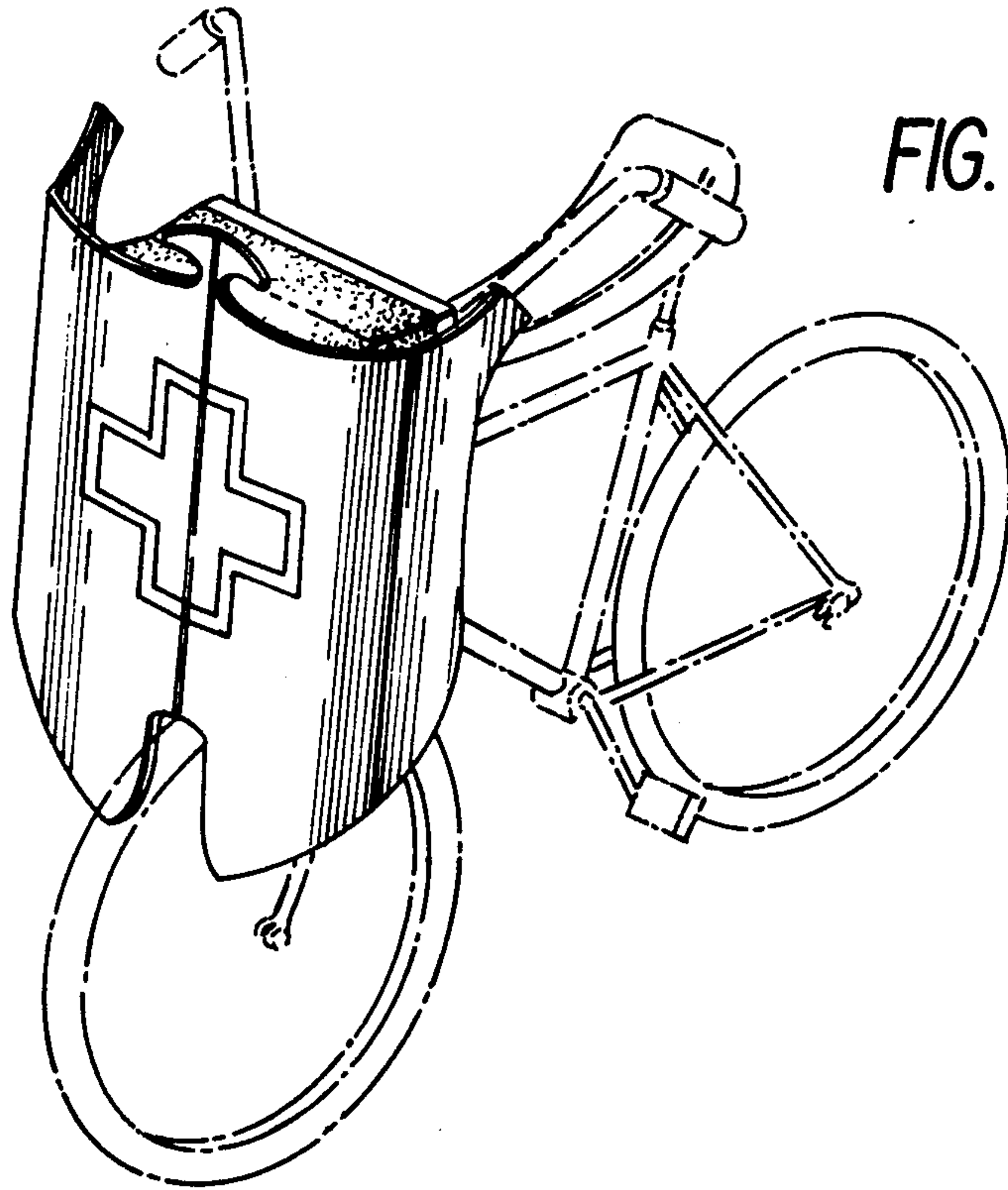


FIG. 1

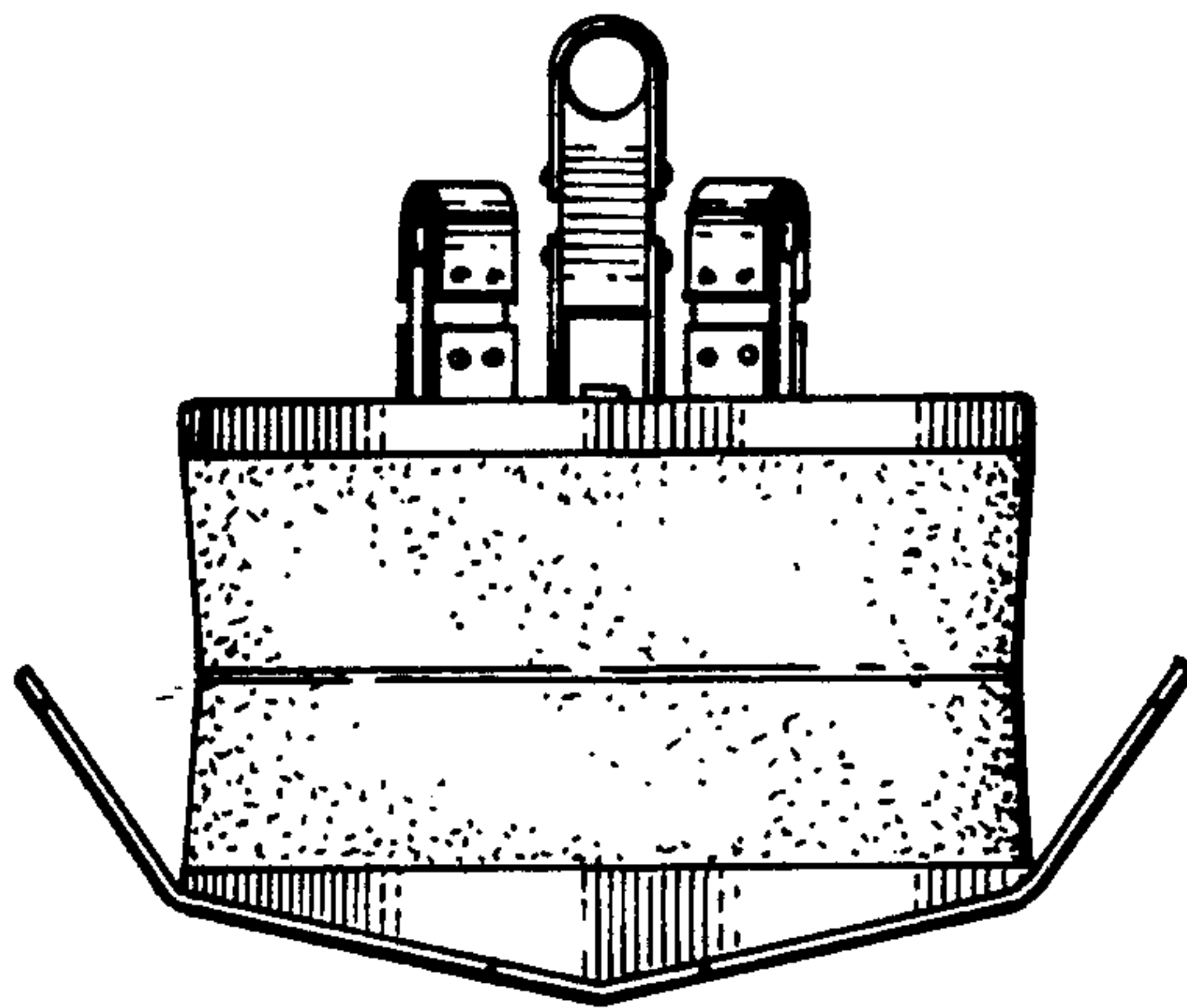


FIG. 5

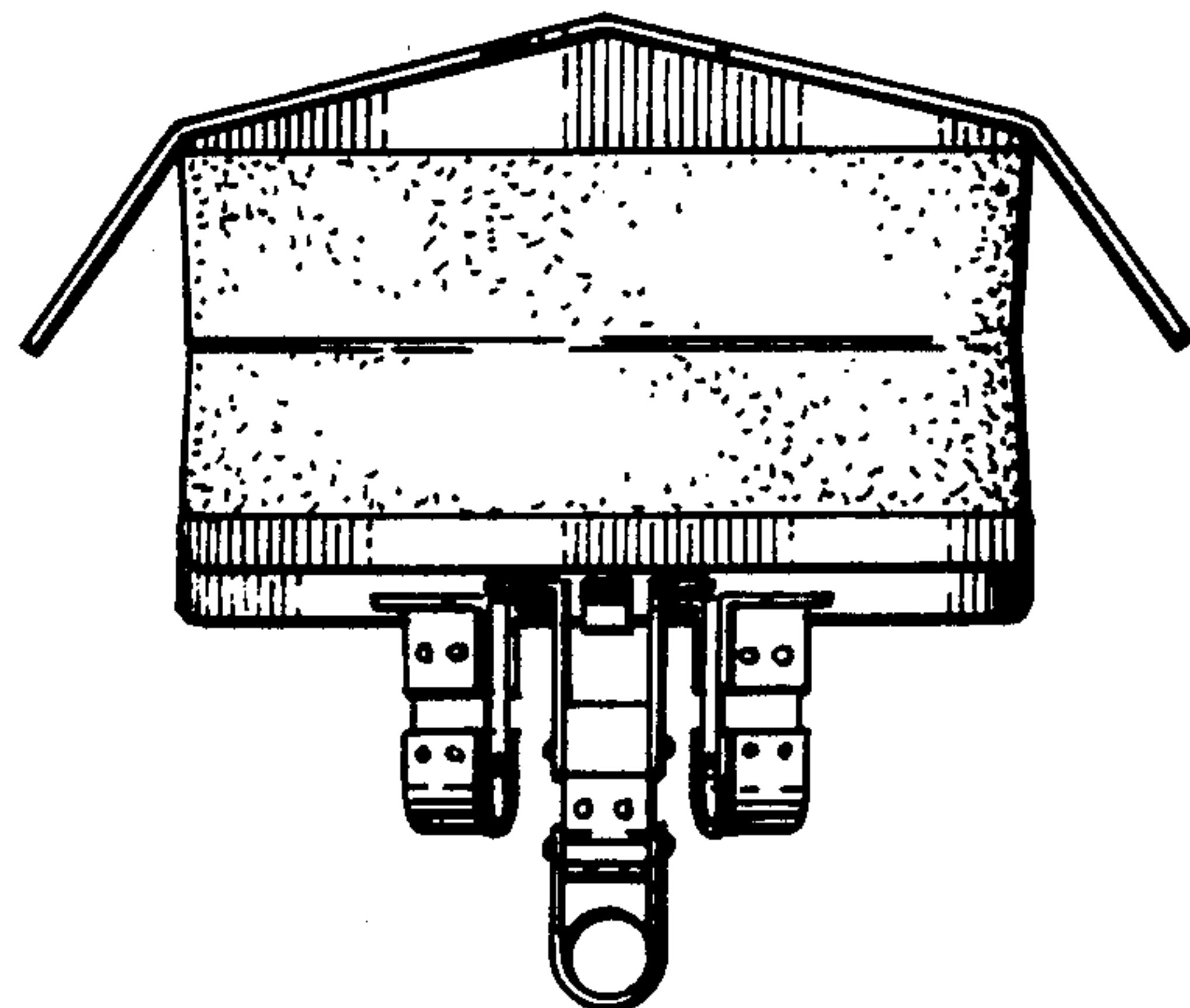


FIG. 6

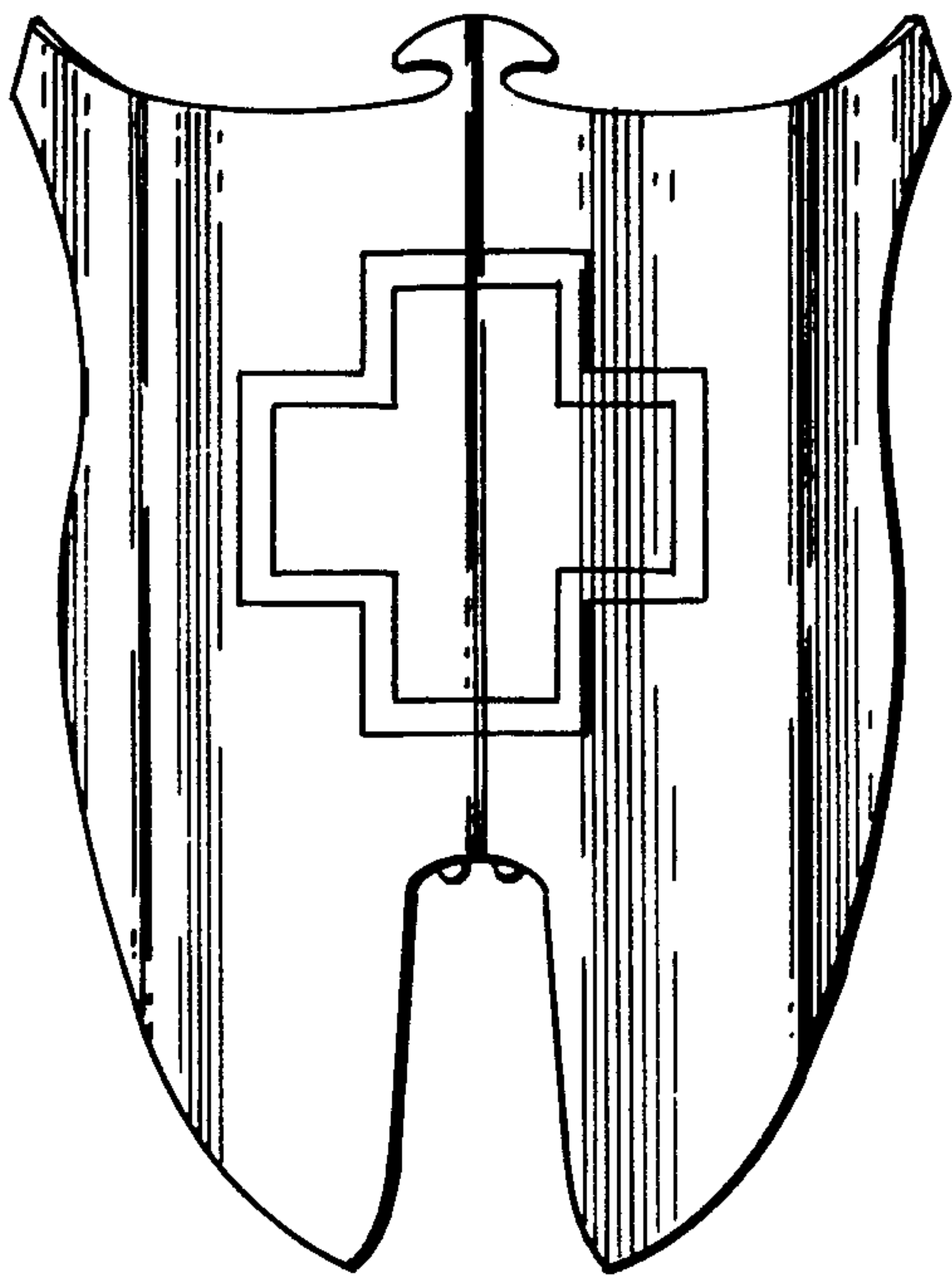


FIG. 2

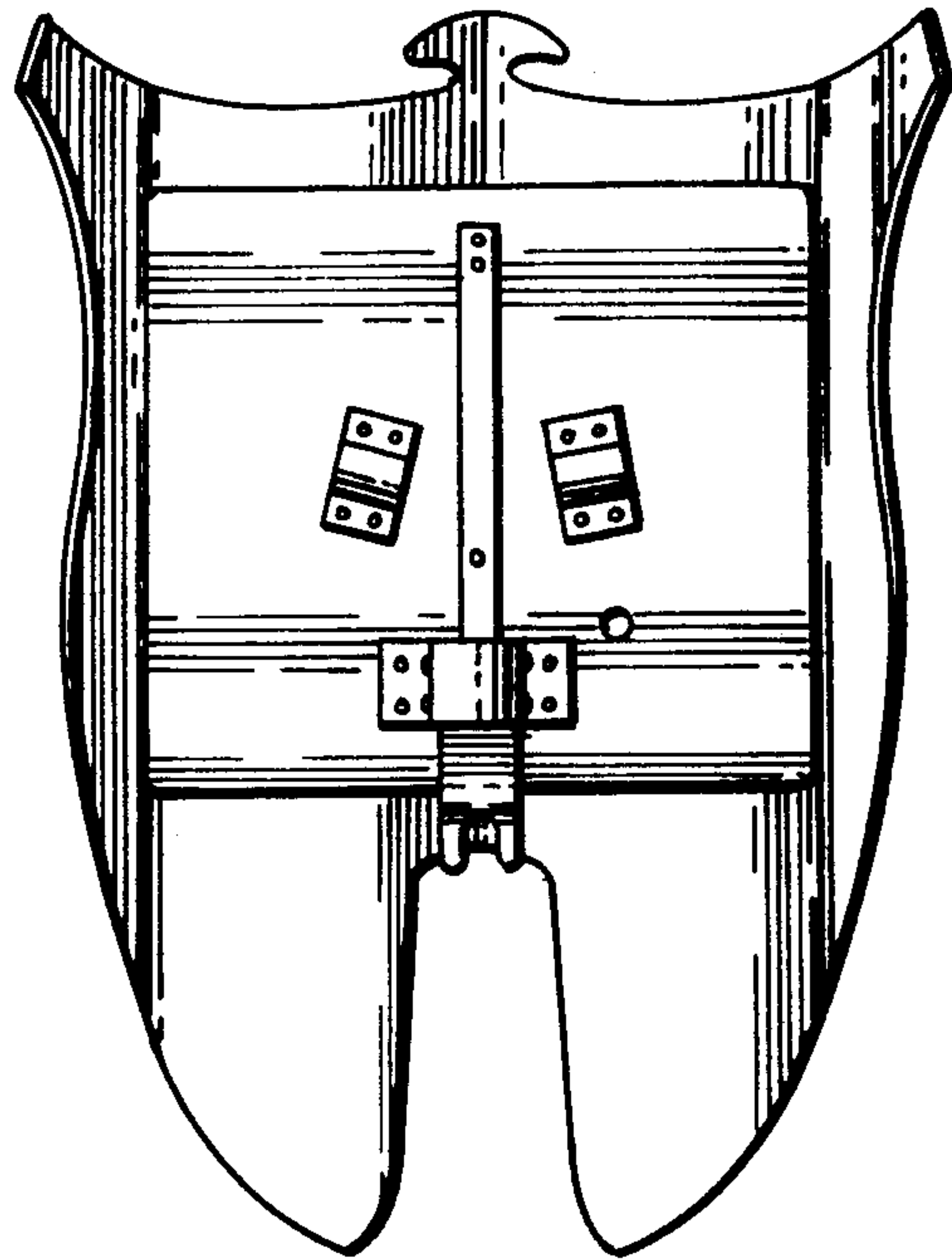


FIG. 3

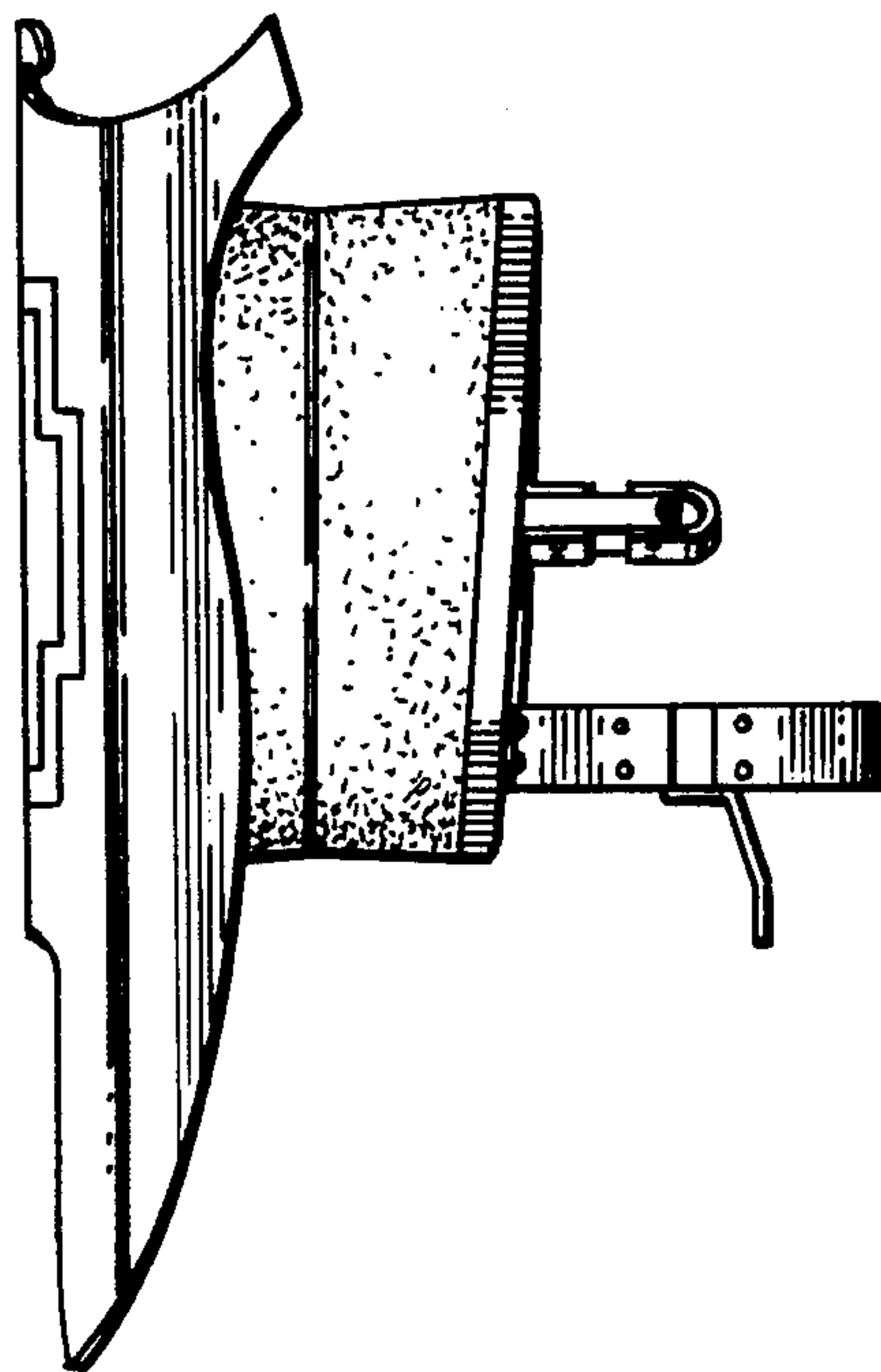


FIG. 4

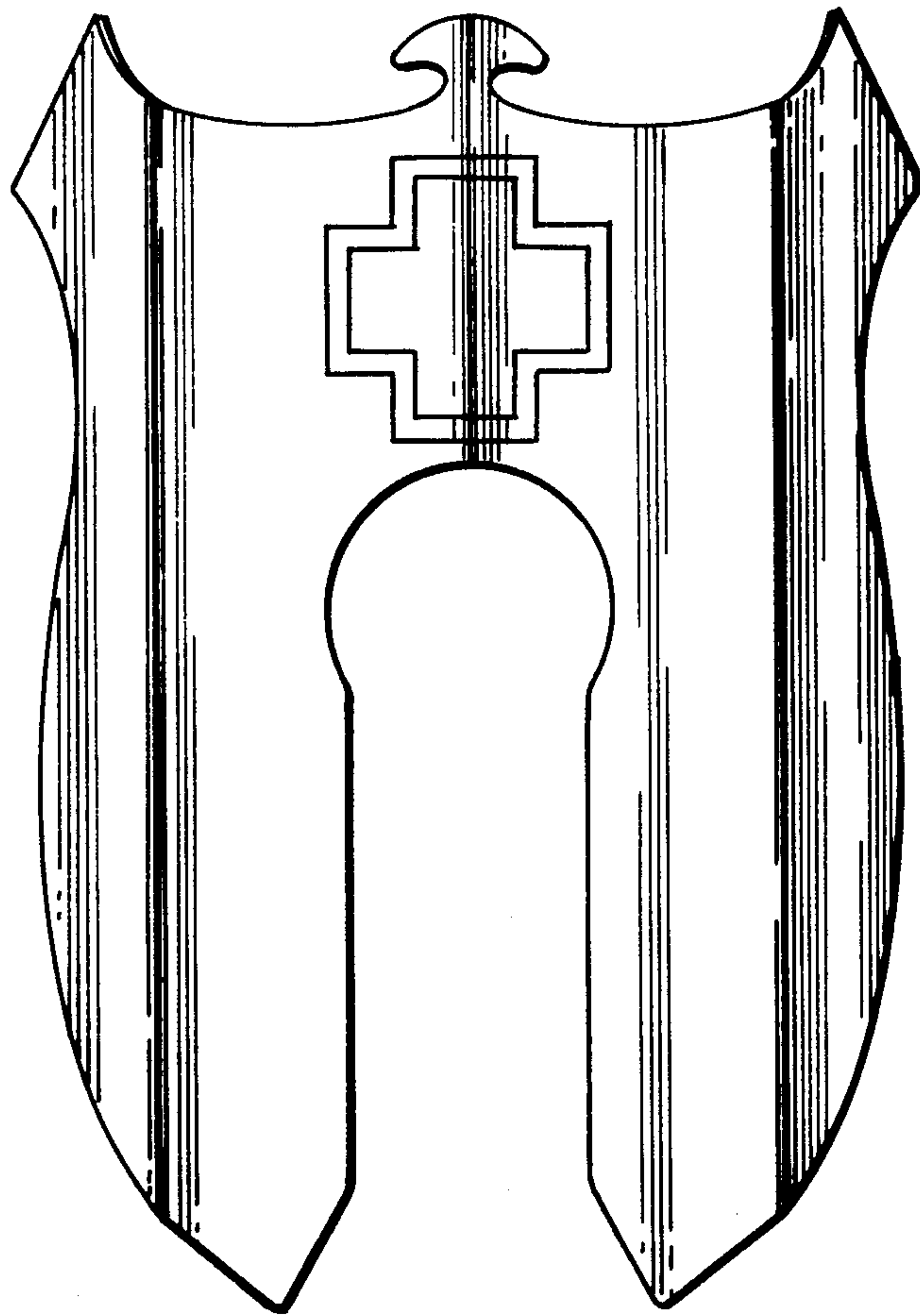


FIG. 7