

[54] AUTOMATIC BUILDER'S LEVEL OR THE LIKE

[75] Inventor: J. Peter E. Kooi, Succasunna, N.J.

[73] Assignee: Keuffel & Esser Company, Morristown, N.J.

[**] Term: 14 Years

[21] Appl. No.: 826,093

[22] Filed: Aug. 19, 1977

[51] Int. Cl. D10-04

[52] U.S. Cl. D10/66

[58] Field of Search D10/66; 33/281, 290, 33/291, 292; D16/57-60

[56] References Cited

U.S. PATENT DOCUMENTS

D. 235,318 6/1975 Kooi D10/66

D. 235,319 6/1975 Kooi D10/66
D. 235,524 6/1975 Kooi D10/66
D. 235,525 6/1975 Kooi D10/66
3,475,101 10/1969 Jeffery 33/290

OTHER PUBLICATIONS

Keuffel & Esser Cat. #10, 1976, p. 32, Ni2, Self-Leveling Level.

Primary Examiner—Nelson C. Holtje
Attorney, Agent, or Firm—Lionel N. White

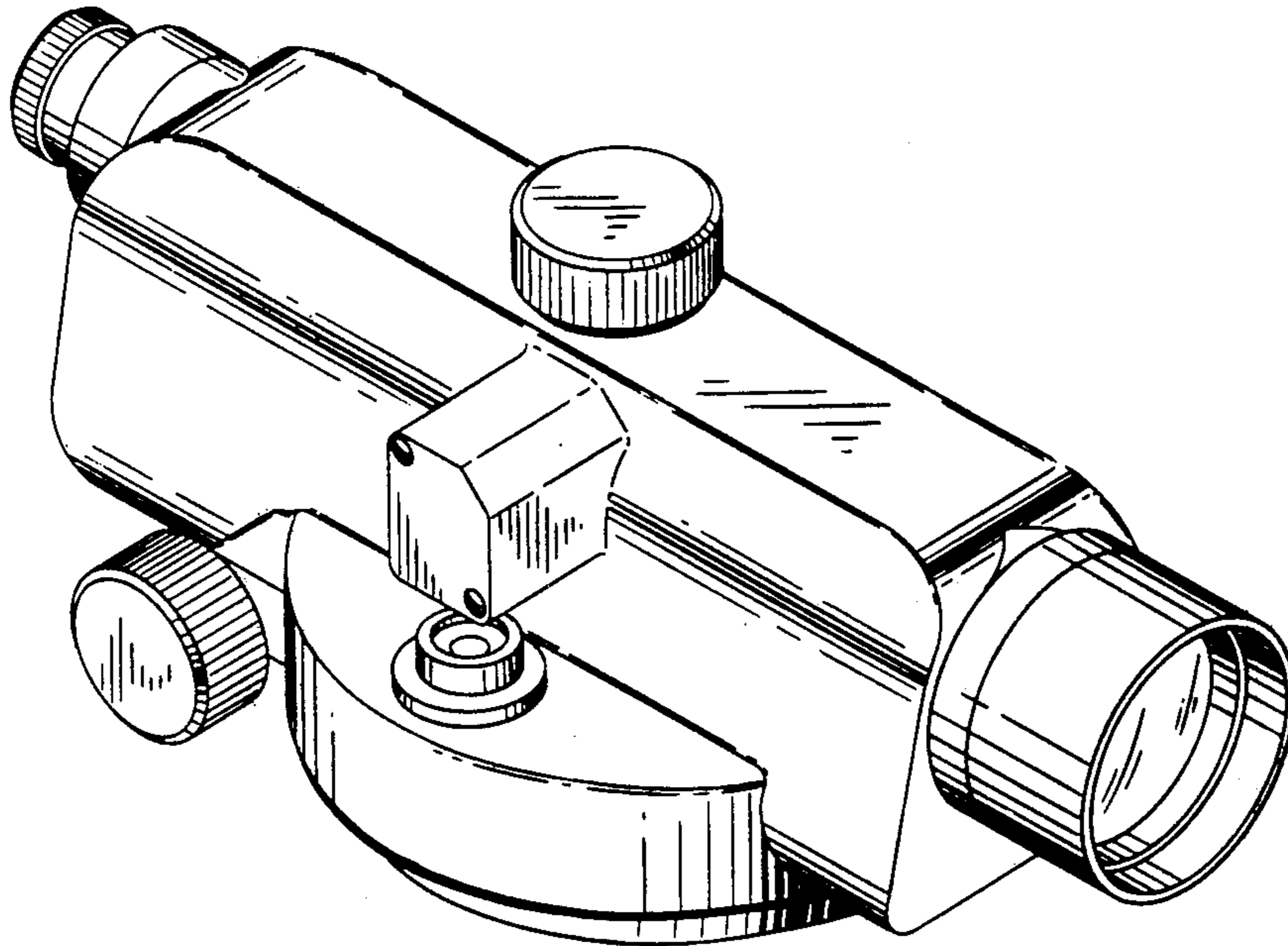
[57] CLAIM

The ornamental design for an automatic builder's level or the like, substantially as shown.

DESCRIPTION

FIG. 1 is a top left front perspective view of an automatic builder's level or the like showing my new design;

FIG. 2 is a rear elevational view thereof.



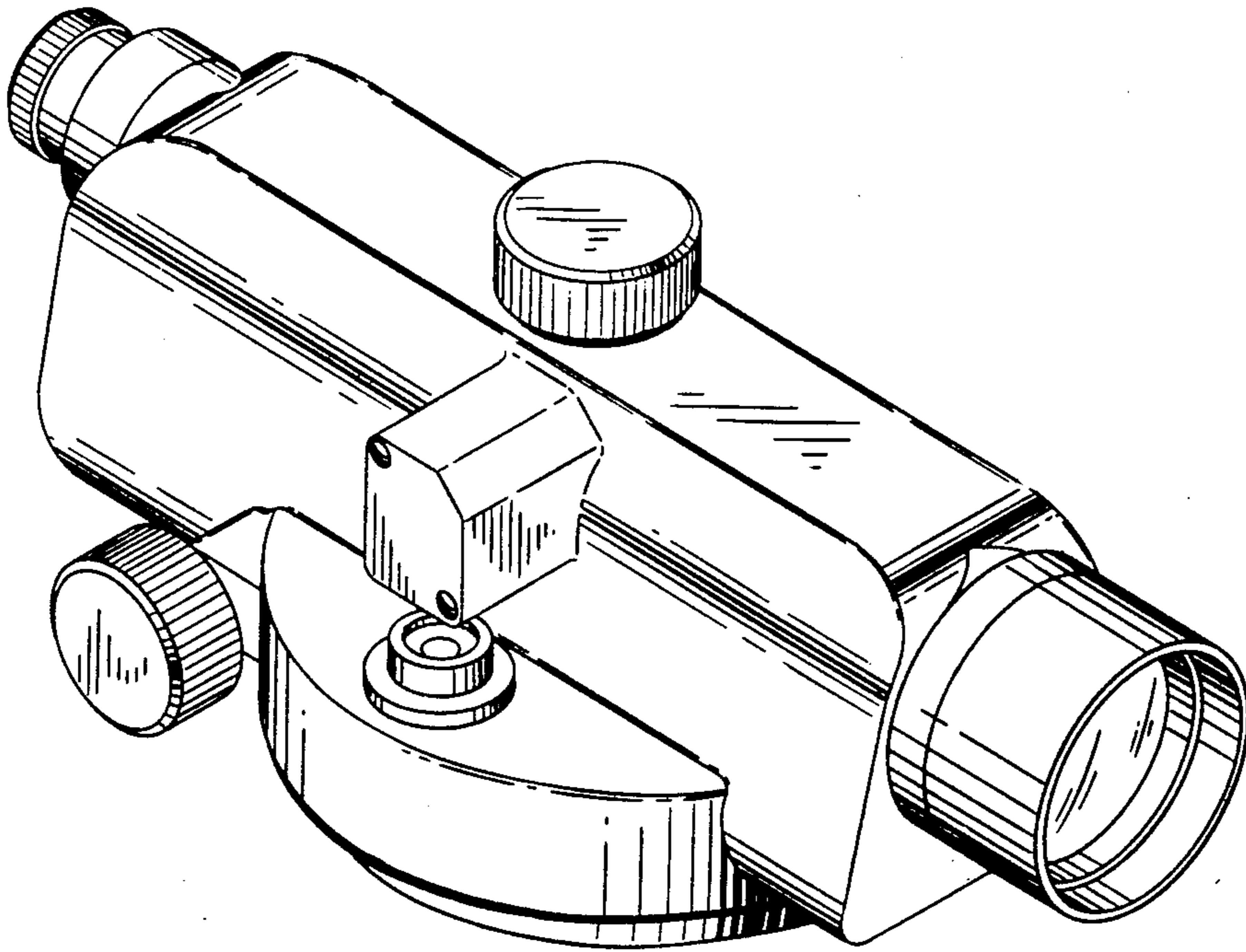


FIG. 1

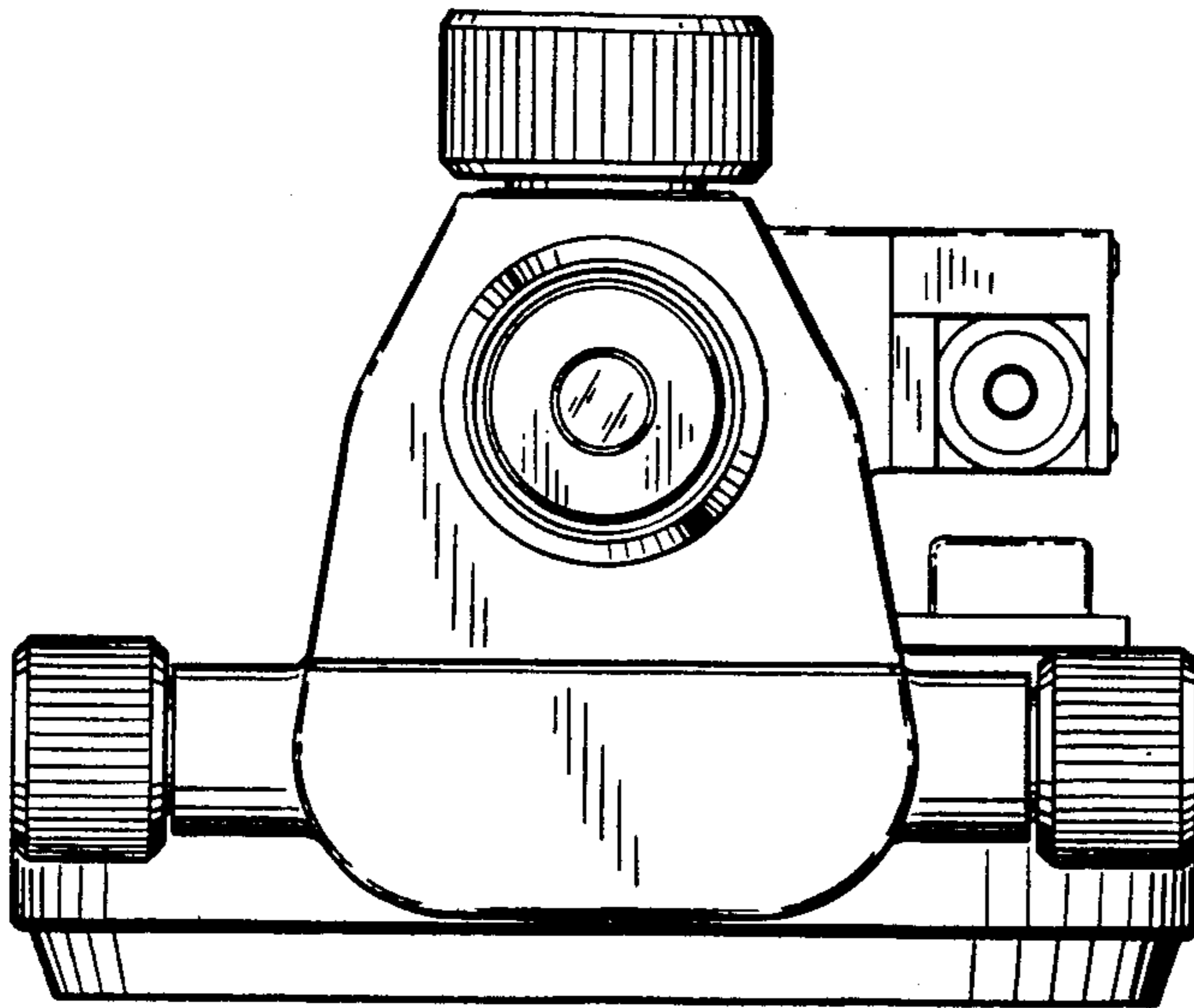


FIG. 2