

[54] SURVEYING INSTRUMENT OR THE LIKE

4,084,327 4/1978 Kooi 33/281

[75] Inventor: J. Peter E. Kooi, Succasunna, N.J.

OTHER PUBLICATIONS

[73] Assignee: Keuffel & Esser Company, Morristown, N.J.

Keuffel & Esser Co., Cat. 10, 1976, pp. 4-5, items #Th2 and Th43 and RTa4 at top.

[**] Term: 14 Years

Primary Examiner—Nelson C. Holtje
Attorney, Agent, or Firm—Lionel N. White

[21] Appl. No.: 825,993

[57] CLAIM

[22] Filed: Aug. 19, 1977

The ornamental design for the surveying instrument or the like, substantially as shown.

[51] Int. Cl. D10-04

[52] U.S. Cl. D10/66

[58] Field of Search D10/66; 33/281, 290, 33/291, 292; D16/57-59, 60

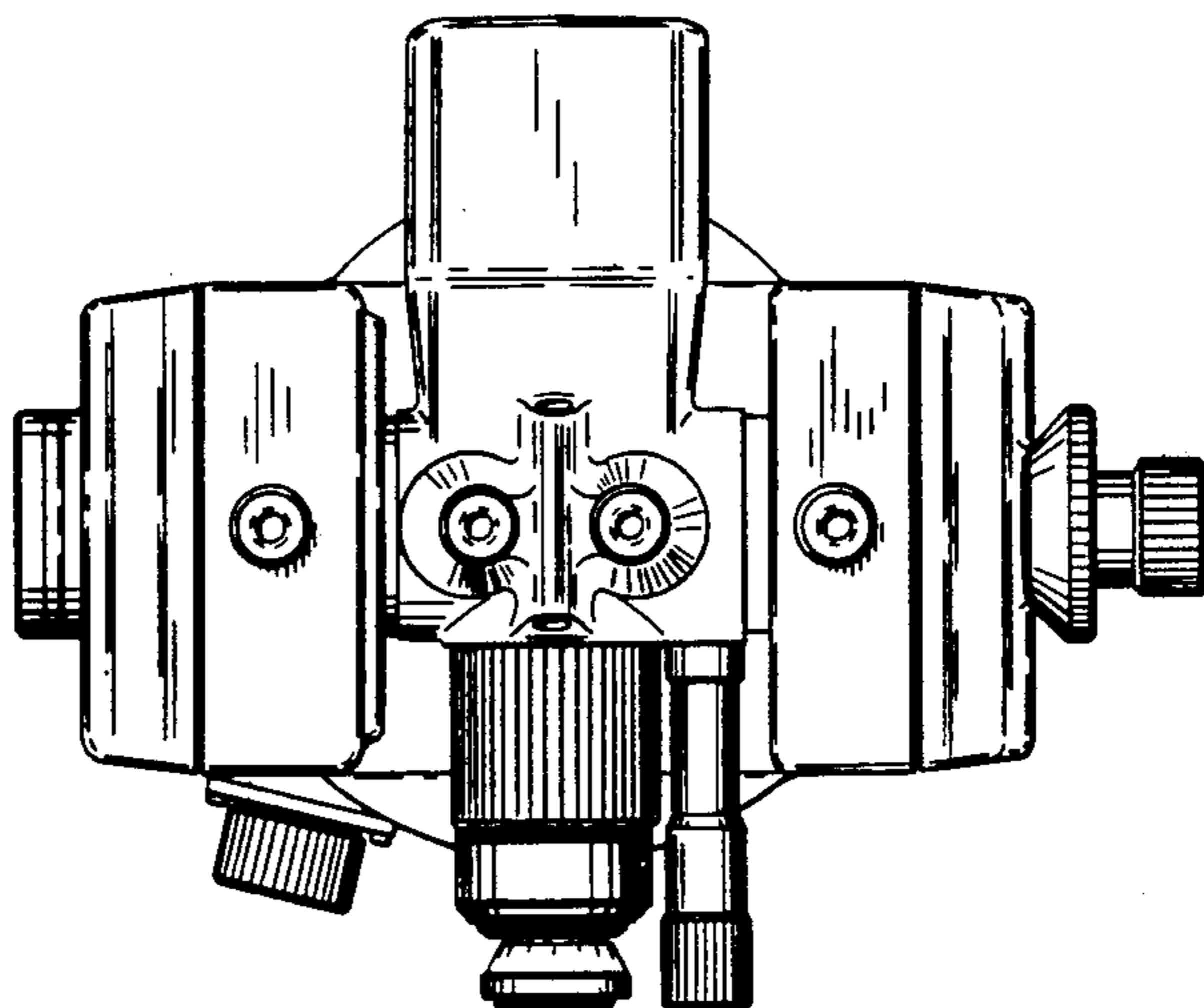
DESCRIPTION

[56] References Cited

U.S. PATENT DOCUMENTS

FIG. 1 is a right side elevational view of a surveying instrument or the like showing my new design;
FIG. 2 is a rear elevational view thereof;
FIG. 3 is a top plan view thereof;
FIG. 4 is a front elevational view thereof;
FIG. 5 is a left side elevational view thereof.

- D. 235,524 6/1975 Kooi D10/66
- D. 235,525 6/1975 Kooi D10/66



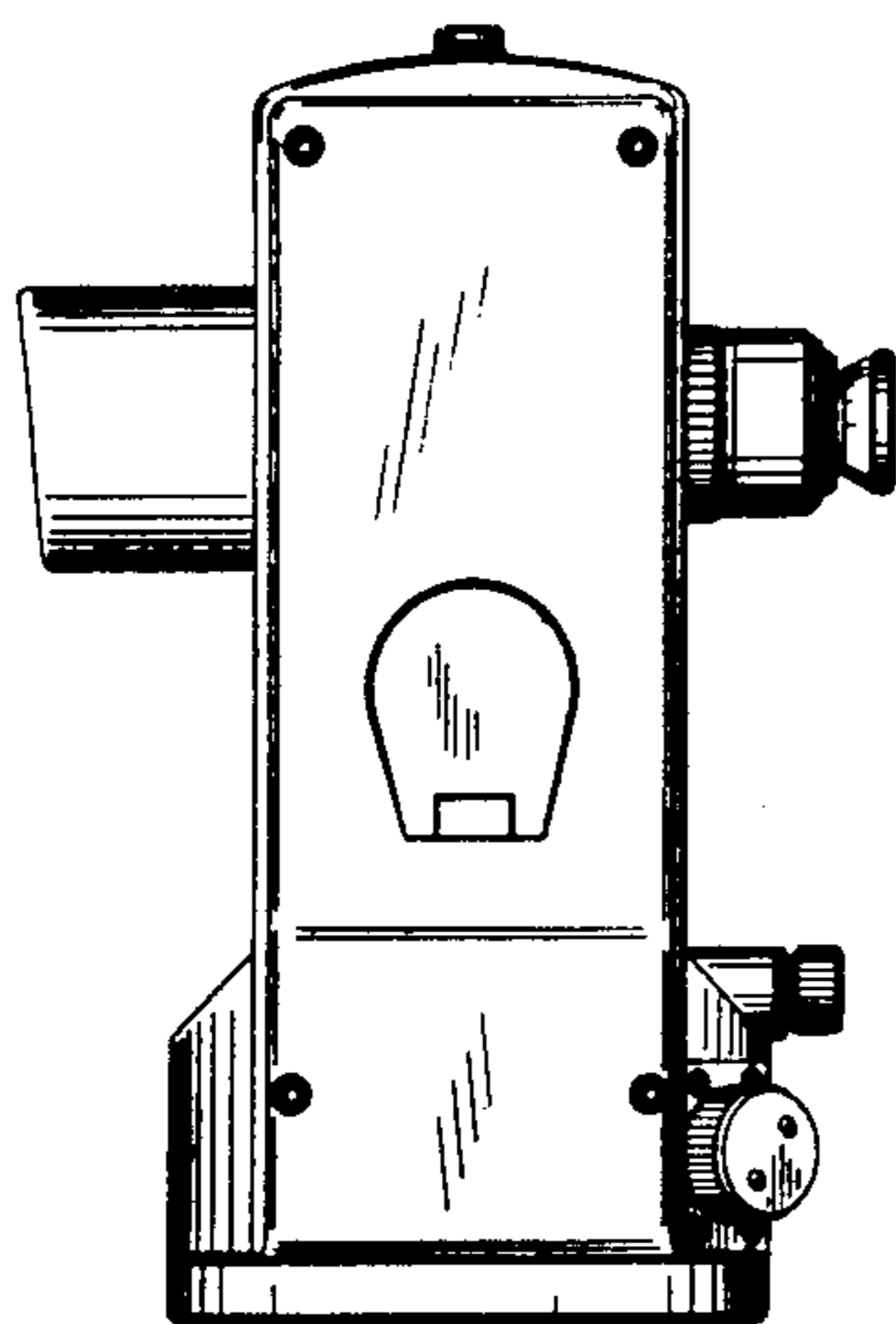


FIG. 1

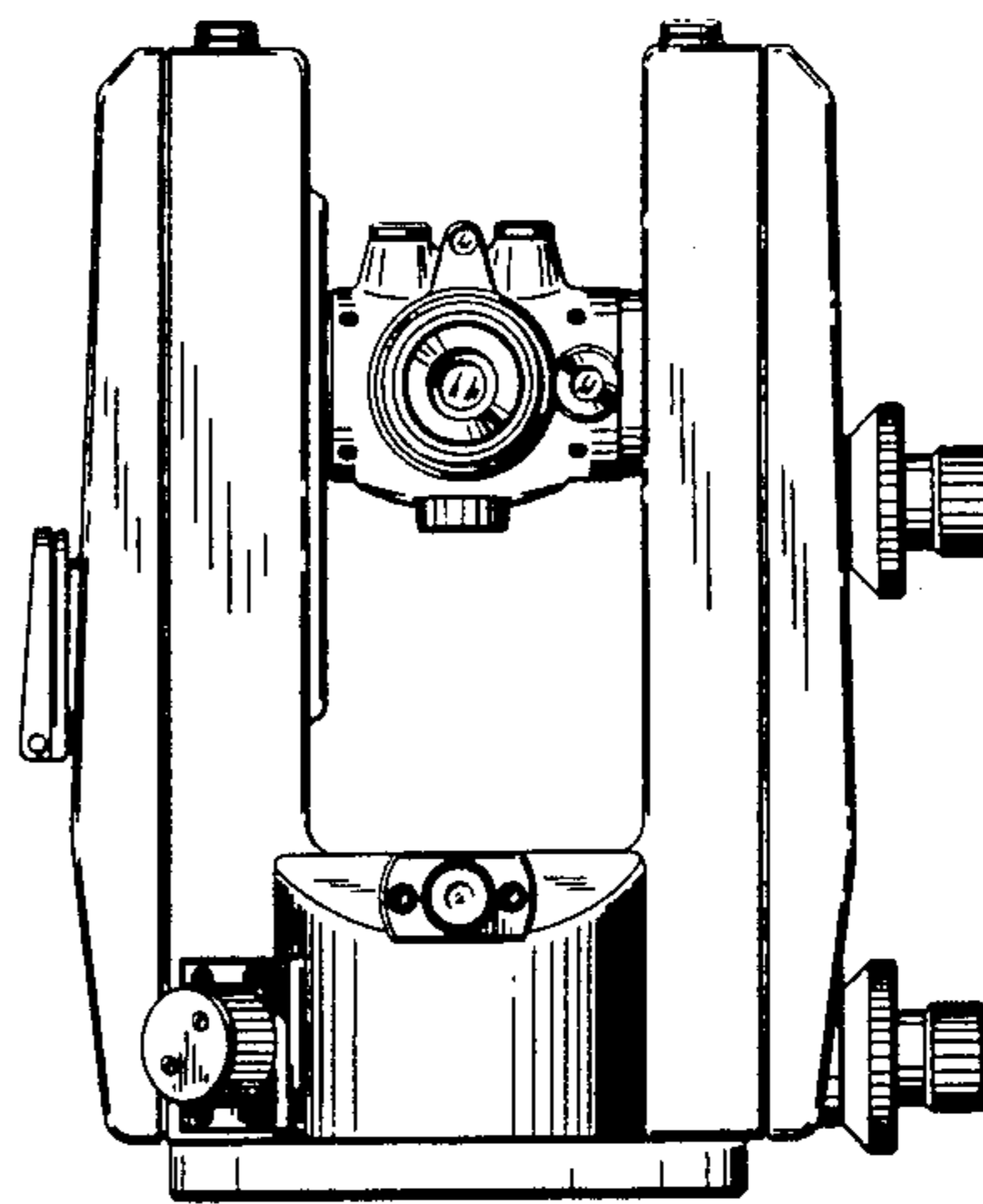


FIG. 2

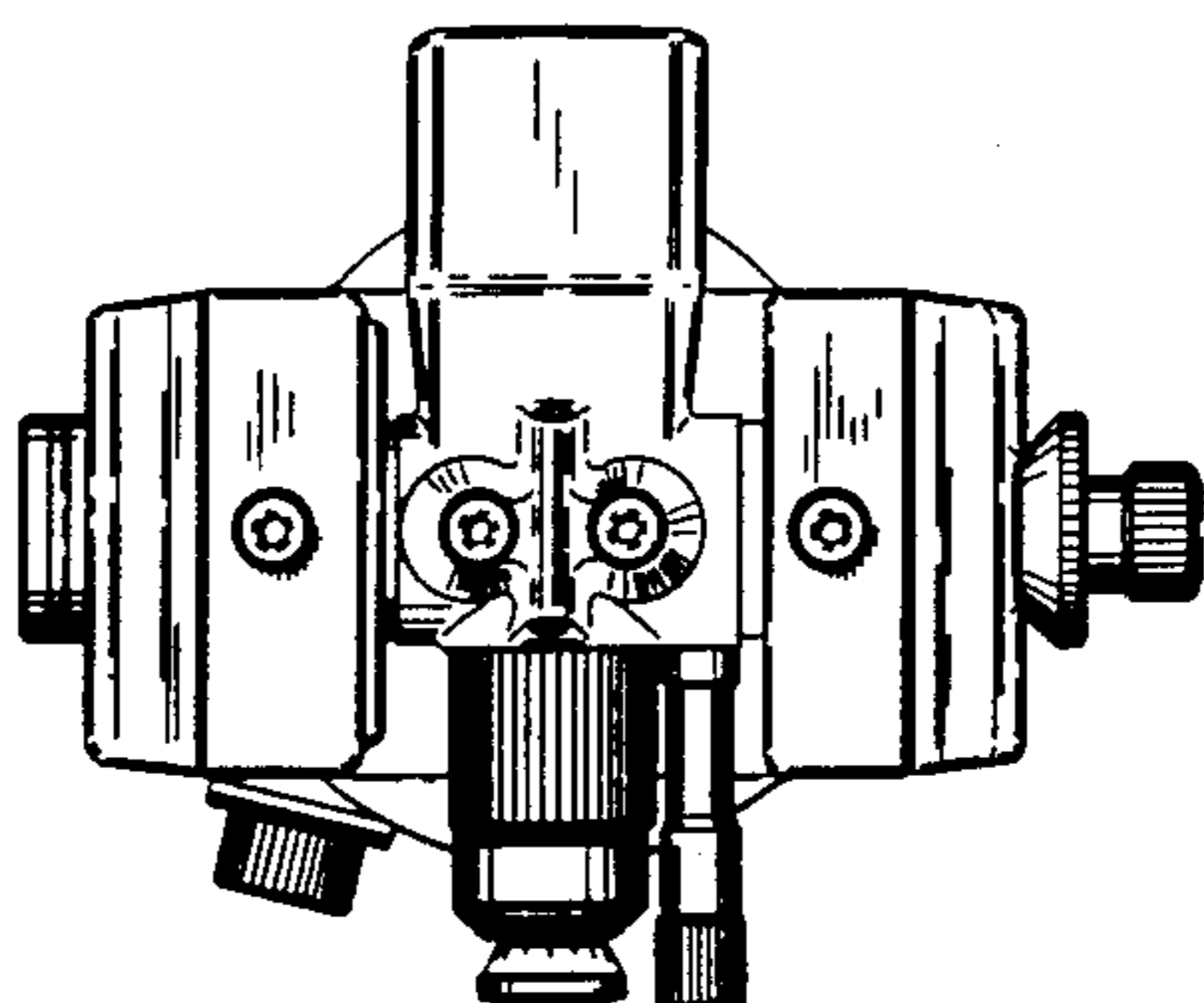


FIG. 3

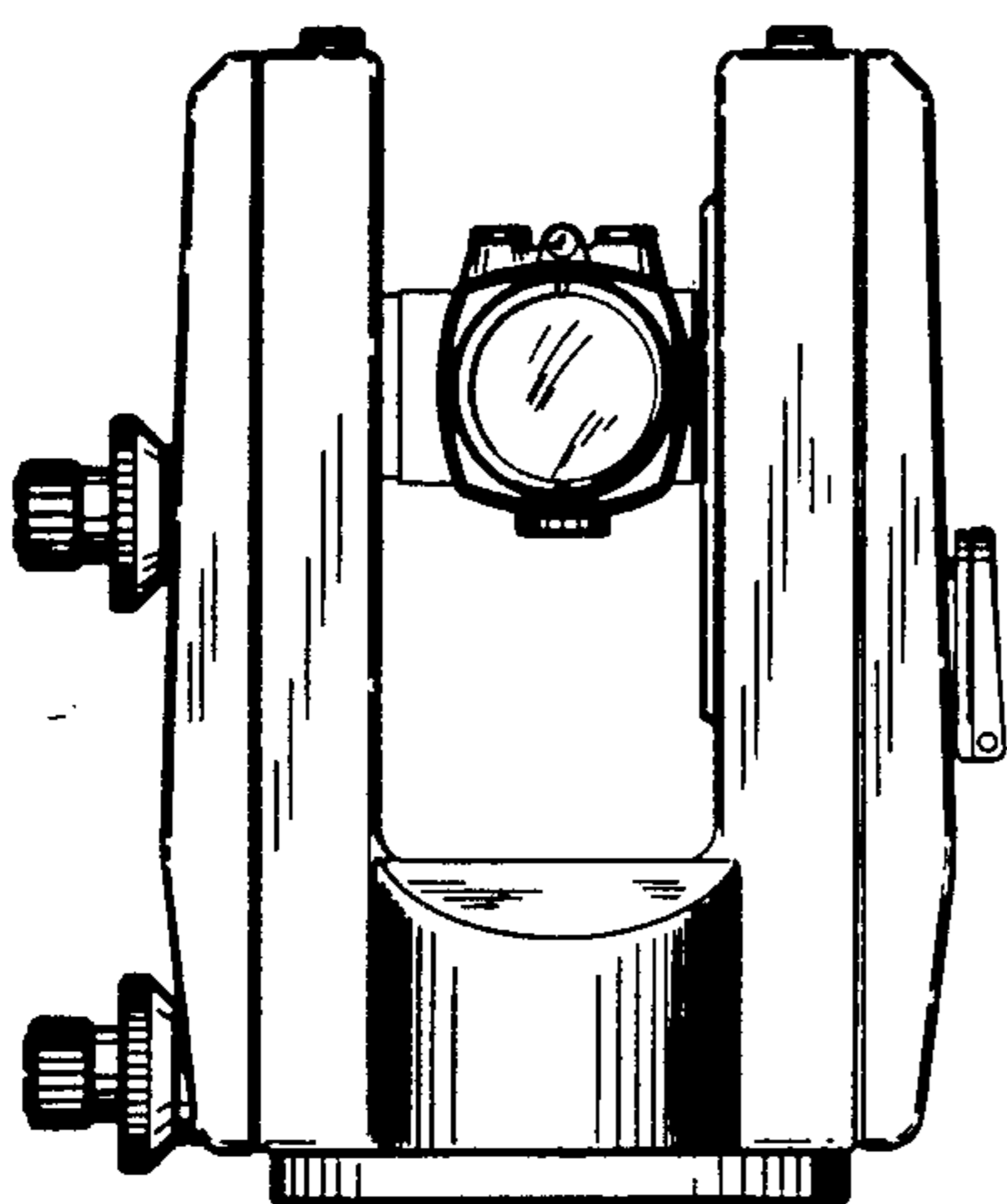


FIG. 4

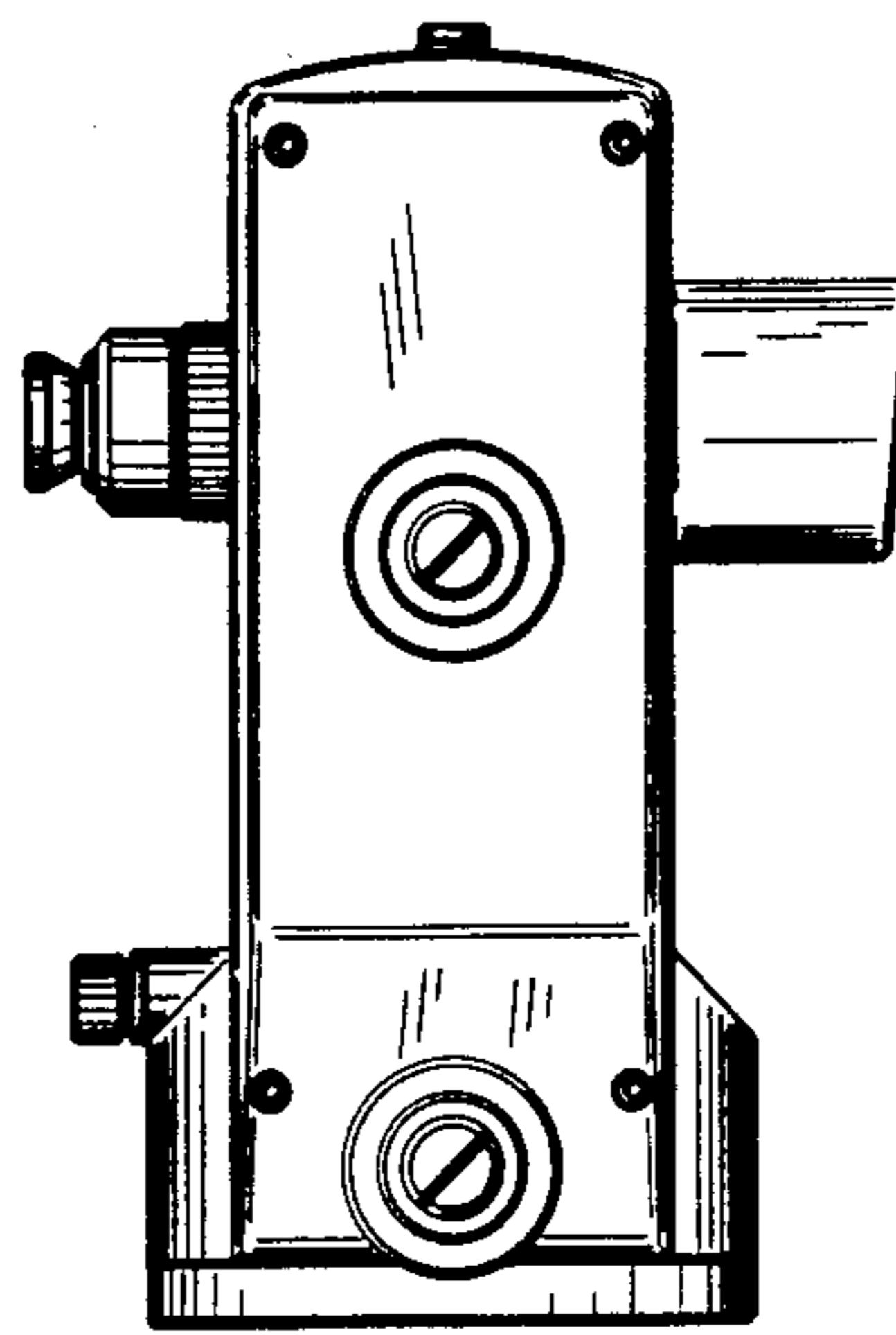


FIG. 5