

[54] CONTAINER FOR A PRINT ELEMENT

[75] Inventor: James P. Wang, Lexington, Ky.

[73] Assignee: International Business Machines Corporation, Armonk, N.Y.

[\*\*] Term: 14 Years

[21] Appl. No.: 806,225

[22] Filed: Jun. 13, 1977

[51] Int. Cl. .... D9-03

[52] U.S. Cl. .... D9/224

[58] Field of Search ..... D87/1 R, 1 D; D9/222, D9/224, 230-240, 242; 206/303, 310, 444

[56] References Cited

U.S. PATENT DOCUMENTS

- D. 121,995 8/1940 May ..... D9/240
- D. 135,619 5/1943 Maranick ..... D9/242

- D. 187,720 4/1960 Ketcham ..... D87/1 D
- D. 209,869 1/1968 David et al. .... D9/237
- D. 218,922 10/1970 De Vore et al. .... D87/1 D
- 3,949,872 4/1976 Paudras ..... 206/310

Primary Examiner—Robert C. Spangler  
Attorney, Agent, or Firm—John W. Girvin, Jr.

[57] CLAIM

The ornamental design for a container for a print element, substantially as shown.

DESCRIPTION

FIG. 1 is a top perspective view of a container for a print element showing my new design;  
 FIG. 2 is a bottom perspective view of the container for a print element in FIG. 1;  
 FIG. 3 is an interior perspective view of the container for a print element shown in FIG. 1;  
 FIG. 4 is a plan exterior view of the container for a print element in its fully open position.

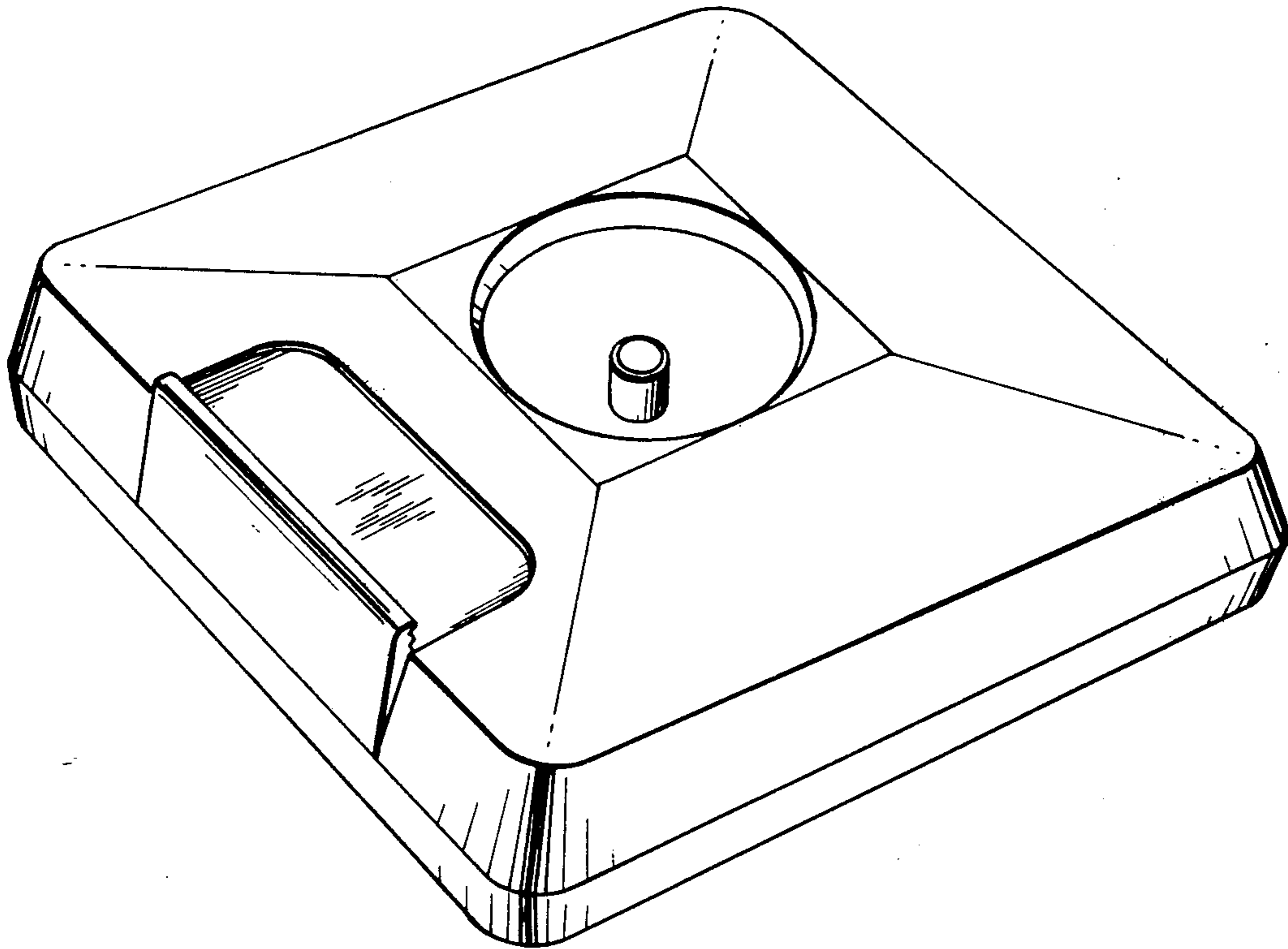


FIG. 1

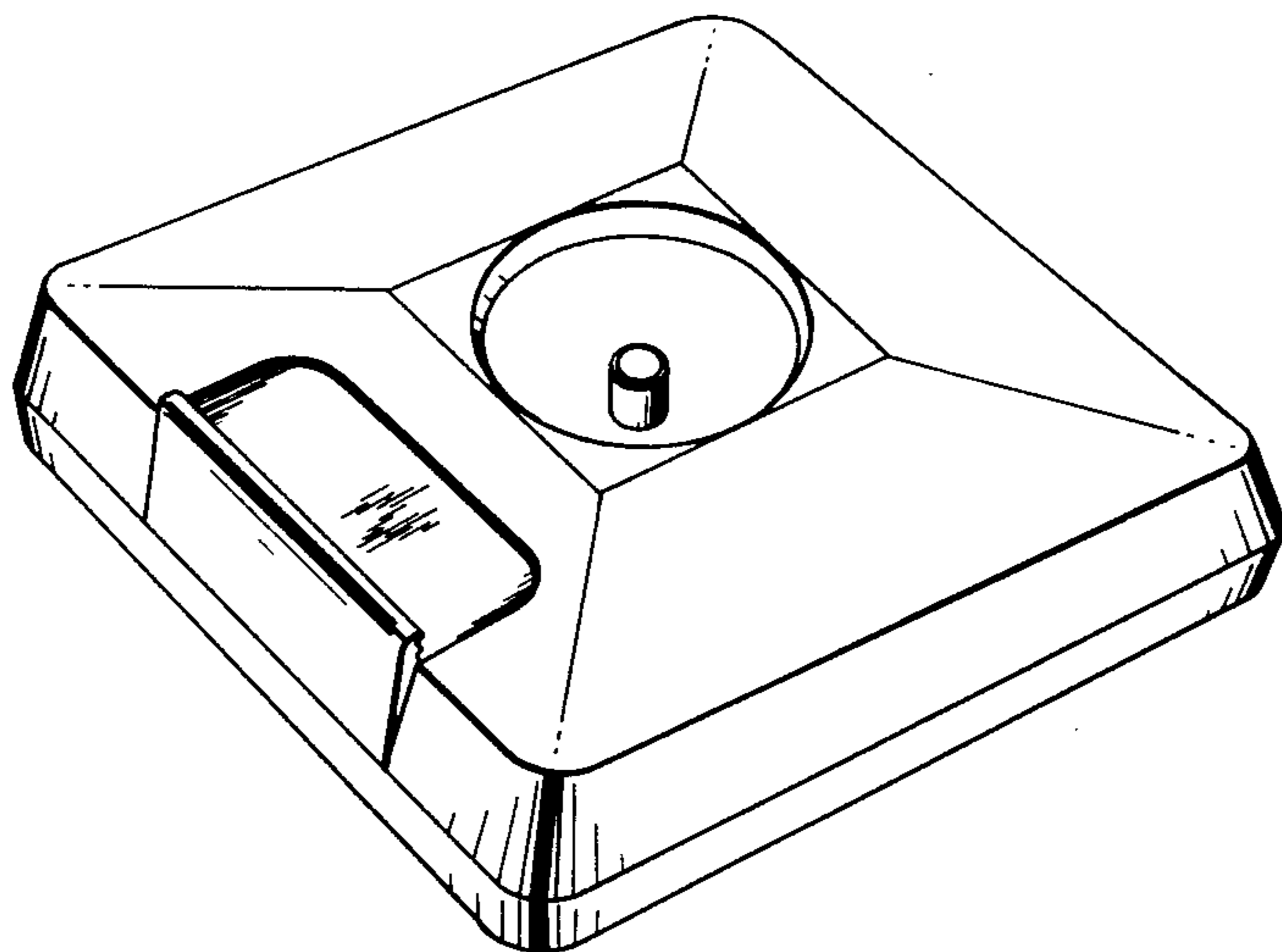


FIG. 2

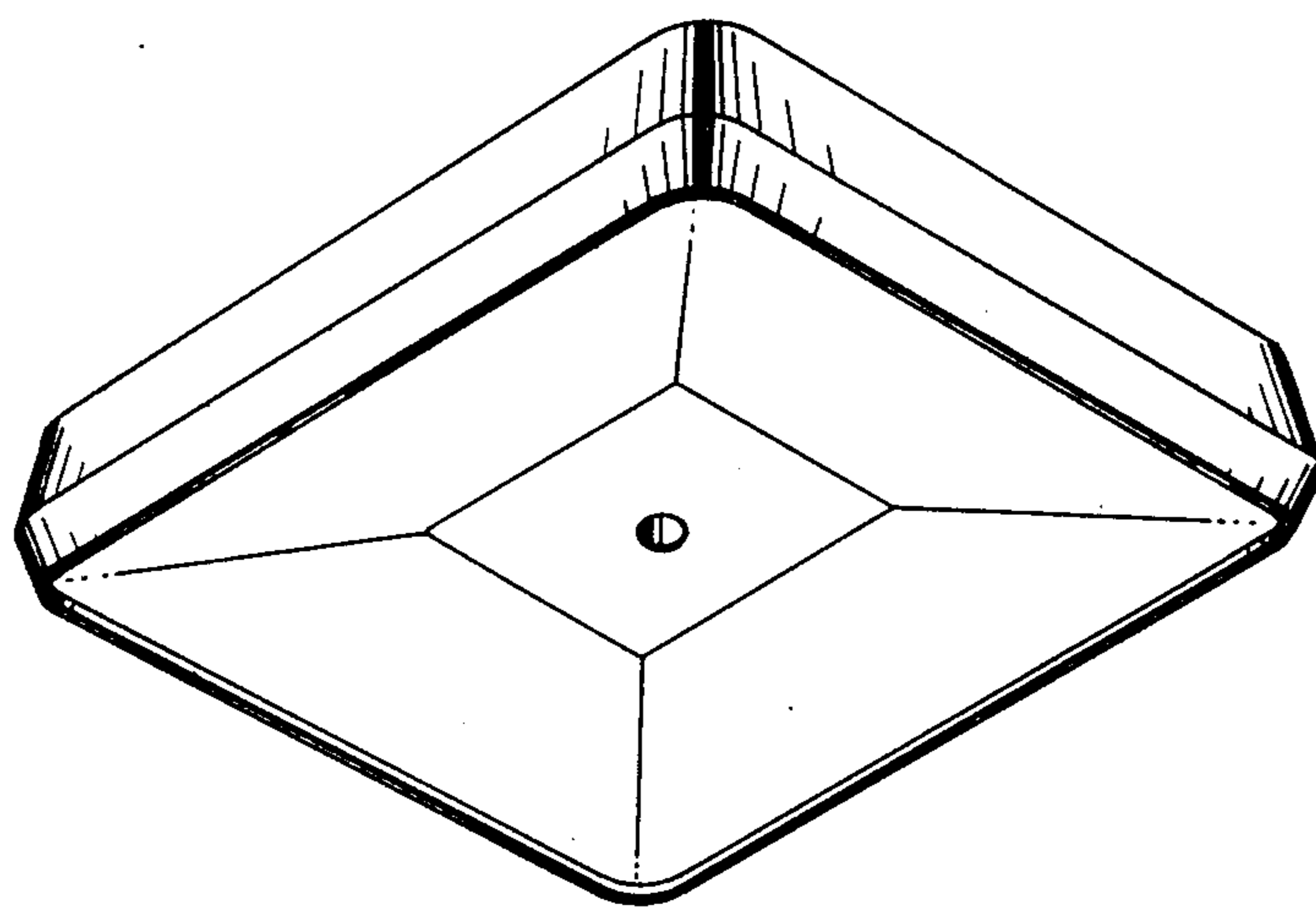


FIG. 3

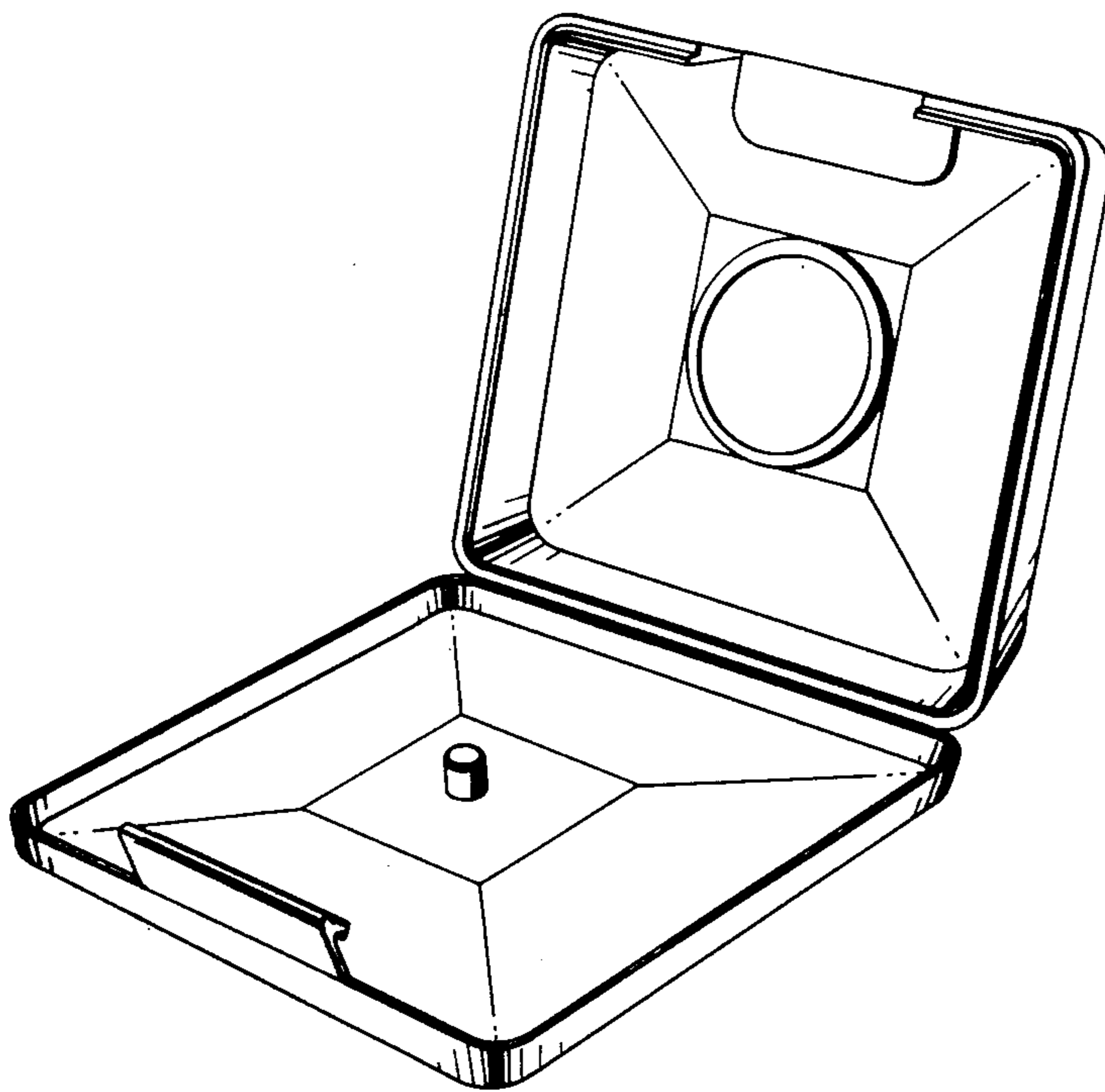


FIG. 4

