

[54] CHAIR BACK

3,159,428 12/1964 Schier 297/446

[75] Inventor: Billy J. Springfield, Temple, Tex.

Primary Examiner—Bruce W. Dunkins

[73] Assignee: American Desk Manufacturing Co.,
Temple, Tex.

Attorney, Agent, or Firm—Charles E. Brown

[**] Term: 14 Years

[57] CLAIM

The ornamental design for a chair back, as shown and described.

[21] Appl. No.: 828,932

[22] Filed: Aug. 29, 1977

DESCRIPTION

[51] Int. Cl. D6—06

[52] U.S. Cl. D6/197

[58] Field of Search D6/20, 26, 30, 31, 47,
D6/78, 197; 297/296, 445, 446, 447, 448, 449,
450, 451

FIG. 1 is a front view of the chair back;
FIG. 2 is a side view looking in the direction of the
arrow 2 of FIG. 1 of the chair back;
FIG. 3 is a back view looking in the direction of the
arrow 3 in FIG. 2 of the chair back;
FIG. 4 is a top view looking in the direction of the
arrow 4 of FIG. 3 of the chair back;
FIG. 5 is a bottom view looking in the direction of the
arrow 5 of FIG. 3 of the chair back; and
FIG. 6, which appears on sheet 1 of the drawings, is a
longitudinal sectional view taken along the line 6—6 of
FIG. 1.

[56] References Cited
U.S. PATENT DOCUMENTS

D. 215,712	10/1969	Duckett et al.	D6/197
D. 233,720	11/1974	Koepke	D6/197
2,747,654	5/1956	Chapman et al.	297/296

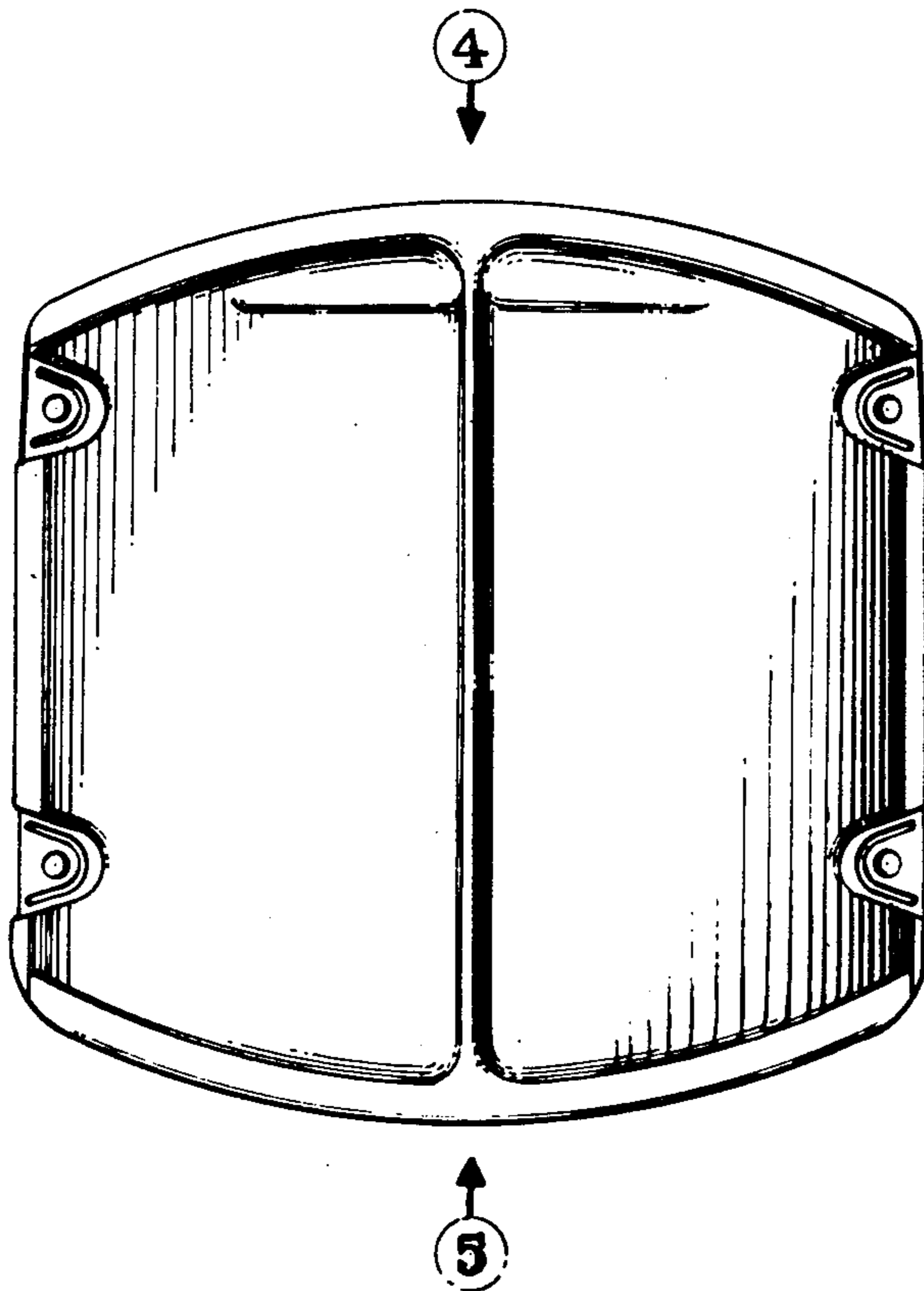


FIG.6

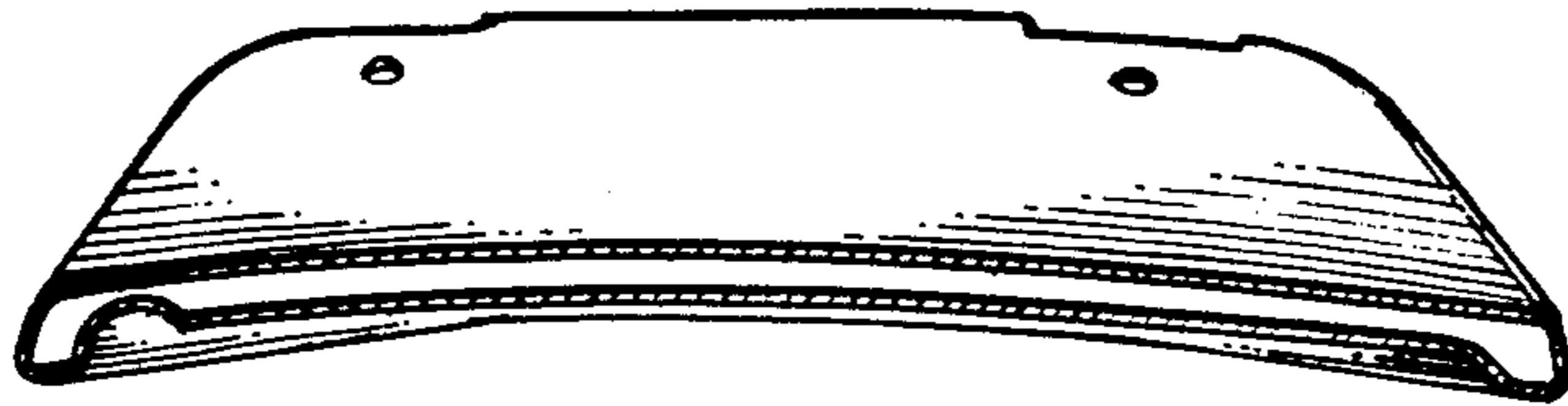


FIG.1

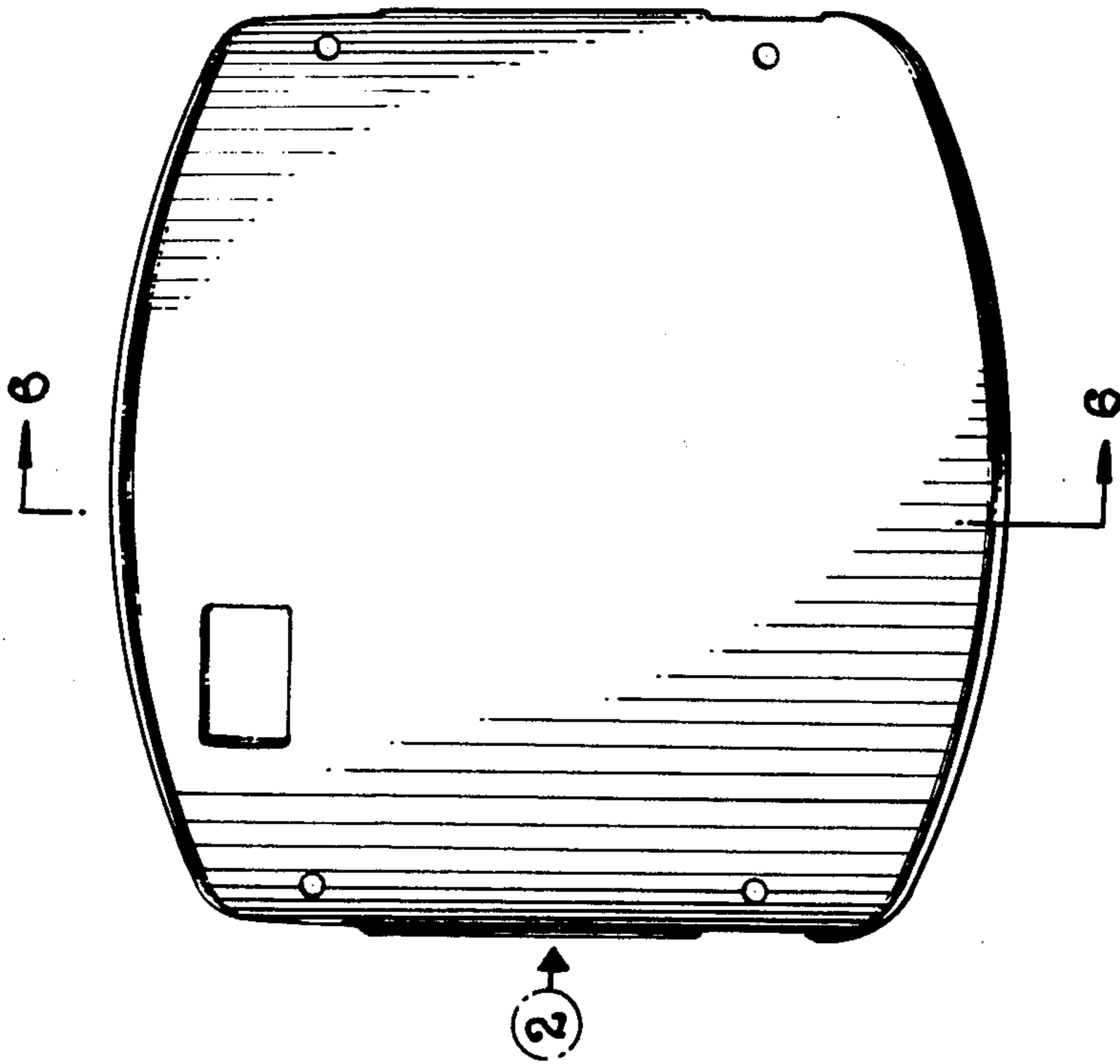


FIG.2

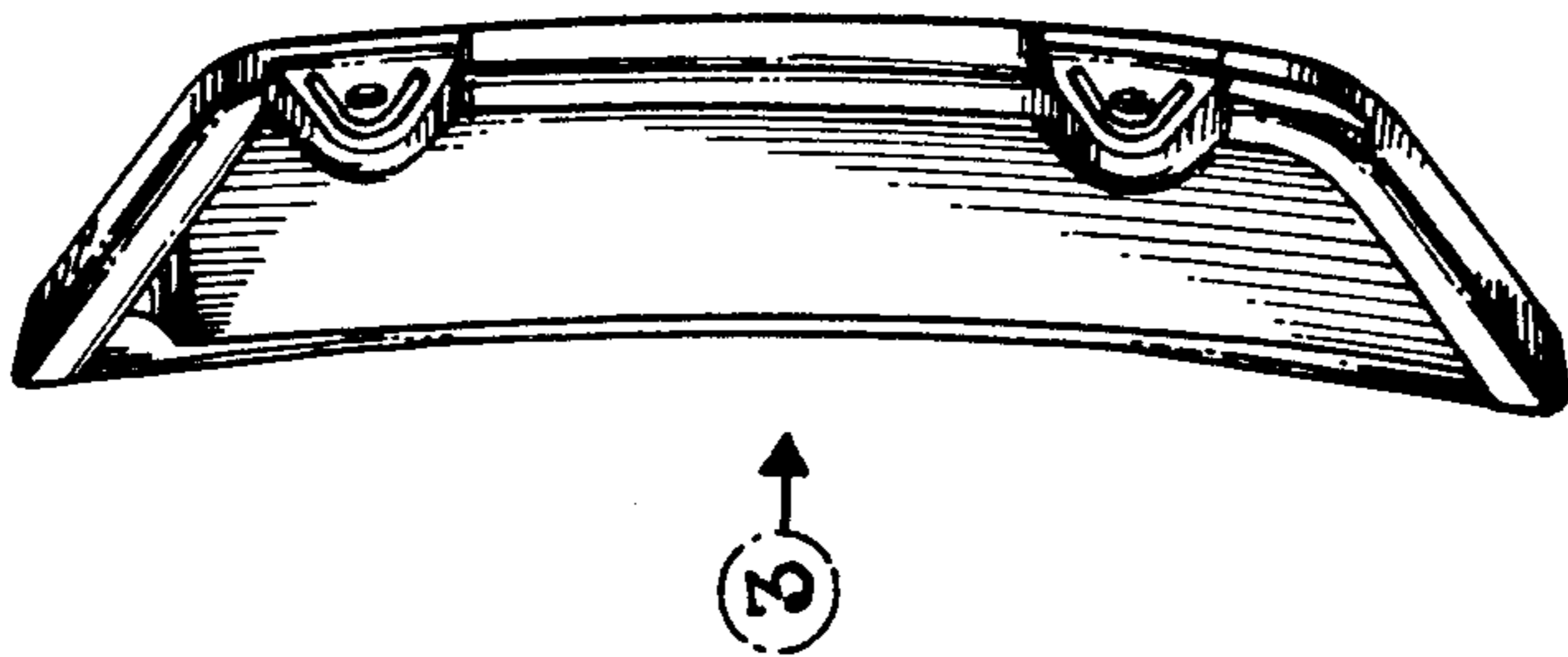


FIG. 3

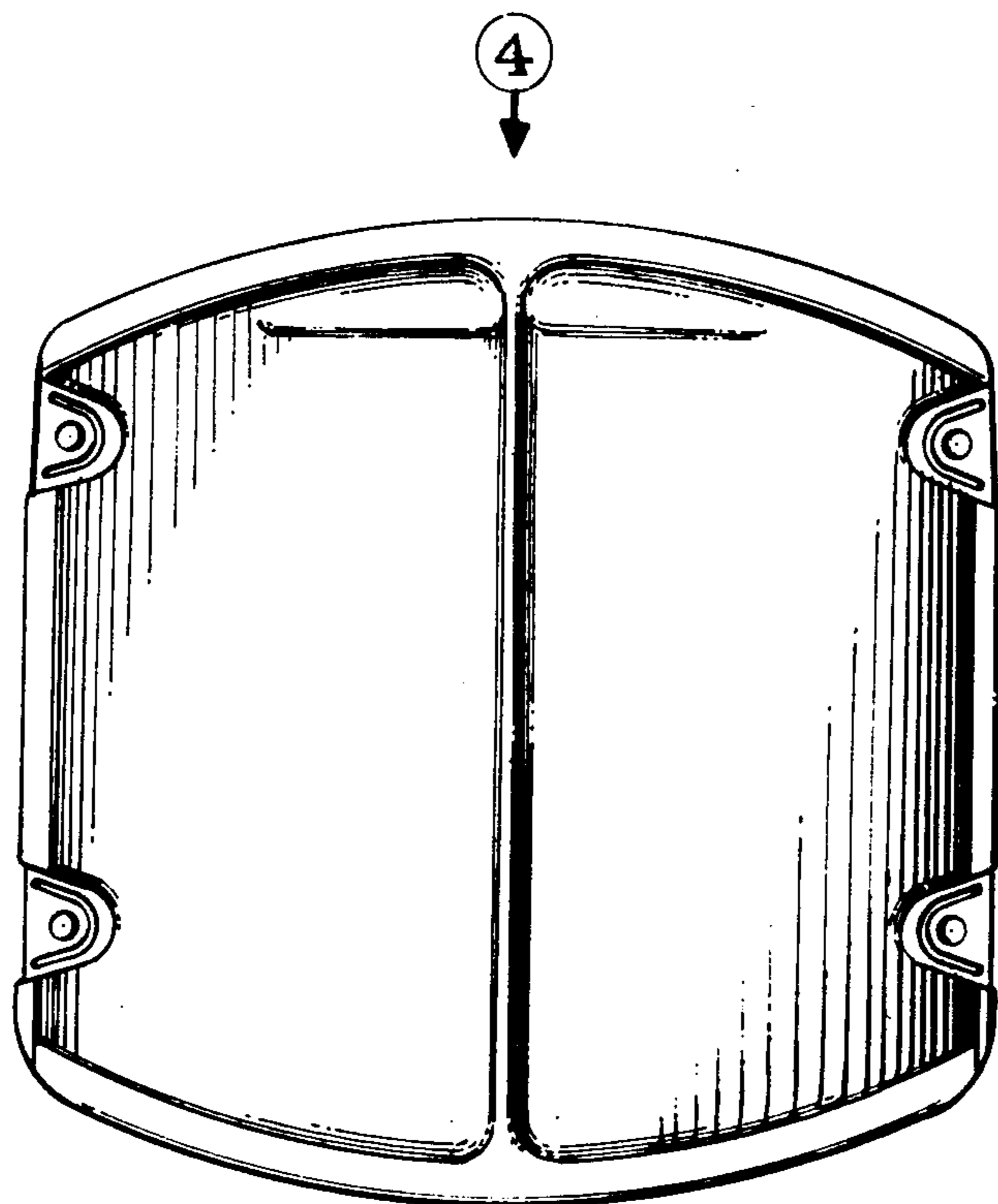


FIG. 4

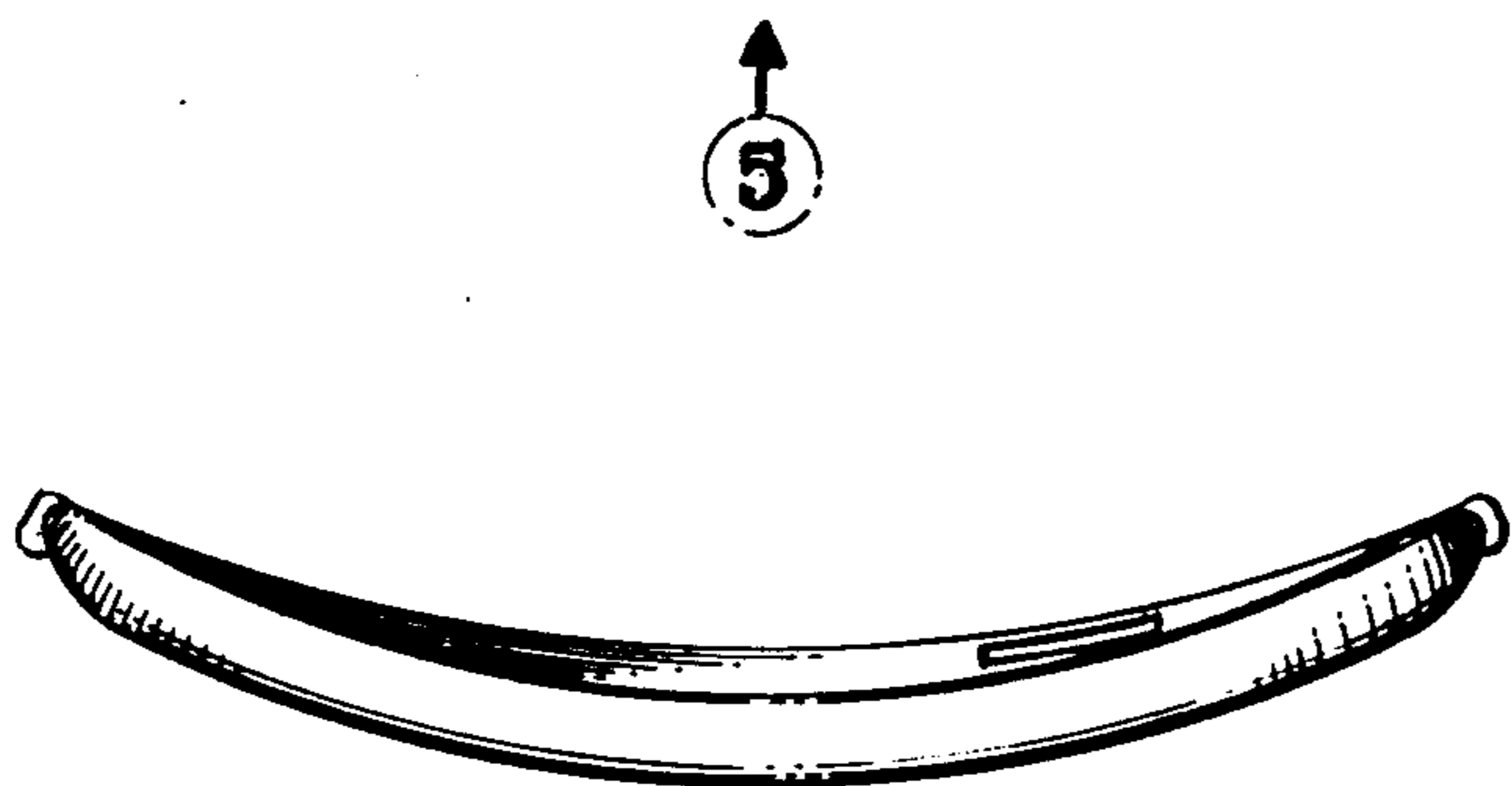


FIG. 5

