

[54] RECORD ALBUM HOLDER

[76] Inventors: Raymond A. Brien, 2224 19th Ave. #1, Rockford, Ill. 61108; Steven A. Brien, 8621 Indigo La., Rockford, Ill. 61111

[**] Term: 14 Years

[21] Appl. No.: 786,102

[22] Filed: Apr. 11, 1977

[51] Int. Cl. D6-04; D7-08

[52] U.S. Cl. D6/185; D6/85; D7/207

[58] Field of Search D6/85, 157, 184, 185, D6/186, 188; D7/207, 212; 211/13, 40, 181, 182; 248/300, 301, 300 R, 310, 311.1, 311.1 A, 312, 360

[56] References Cited

U.S. PATENT DOCUMENTS

D. 216,261 12/1969 Hamilton D7/207

D. 238,736 2/1976 Jaffe D6/185
D. 245,056 7/1977 Winther D6/185
2,281,845 5/1942 Kaplan 211/40

Primary Examiner—Wallace R. Burke
Assistant Examiner—B. J. Bullock
Attorney, Agent, or Firm—Timothy L. Tilton

[57] CLAIM

The ornamental design for a record album holder, as shown and described.

DESCRIPTION

FIG. 1 is a reduced perspective view of a record album holder showing our new design;
FIG. 2 is an end elevational view taken from the left of FIG. 1, shown at a 90° angle;
FIG. 3 is a top plan view thereof;
FIG. 4 is an end elevational view taken from the right of FIG. 1, shown at a 90° angle;
FIG. 5 is a bottom plan view thereof;
FIG. 6 is a front elevational view thereof; and
FIG. 7 is a rear elevational view.

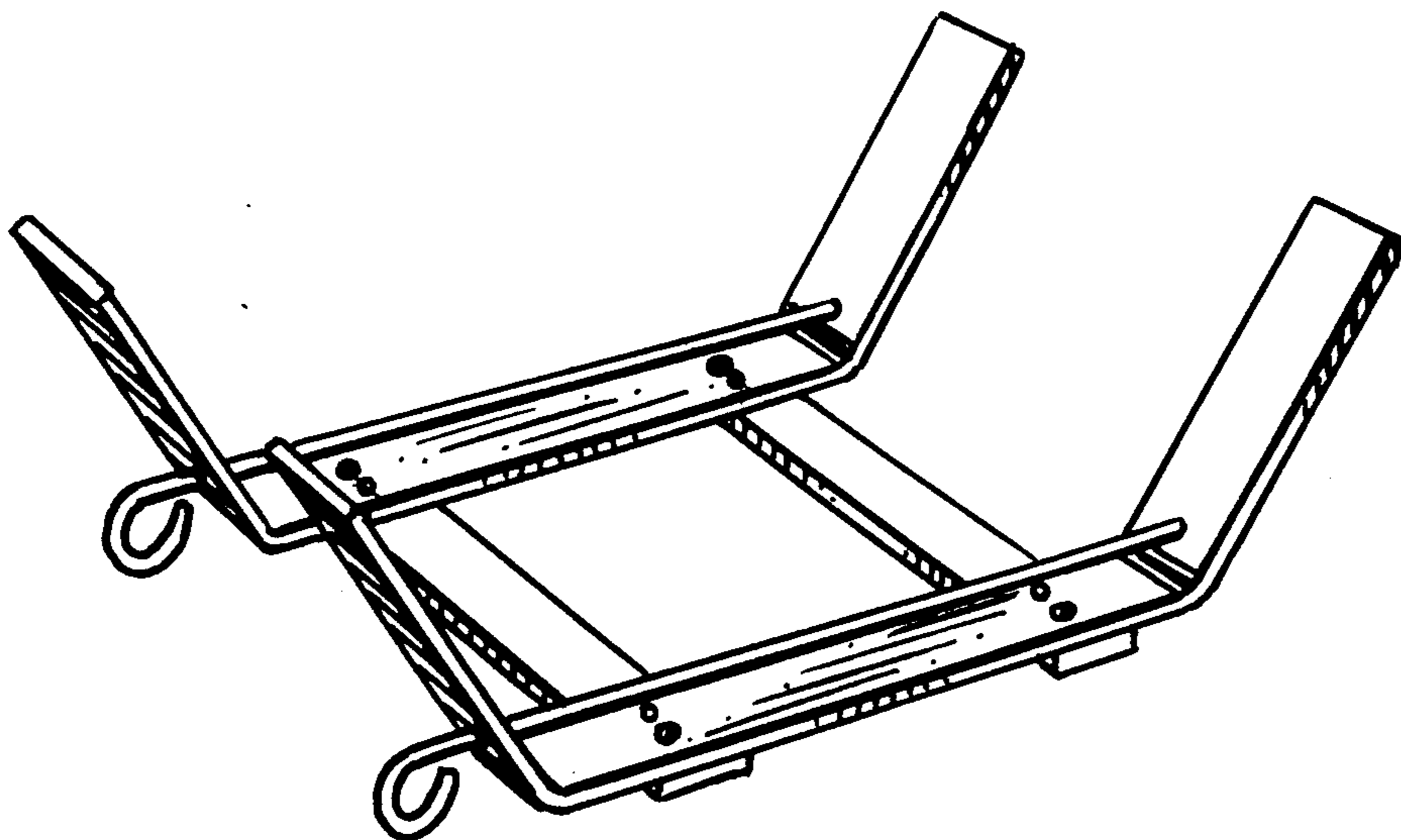


FIG. 1

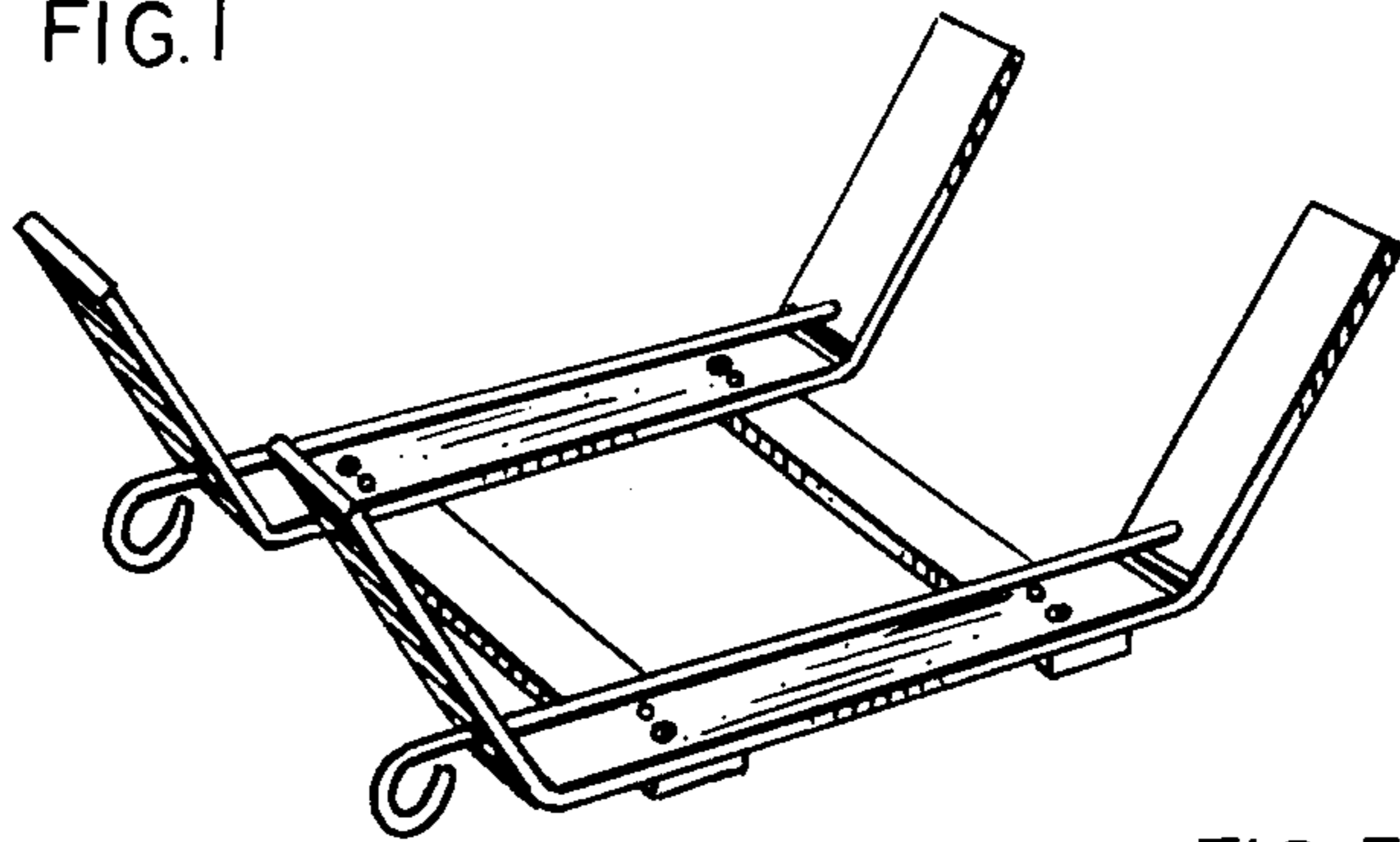


FIG. 2

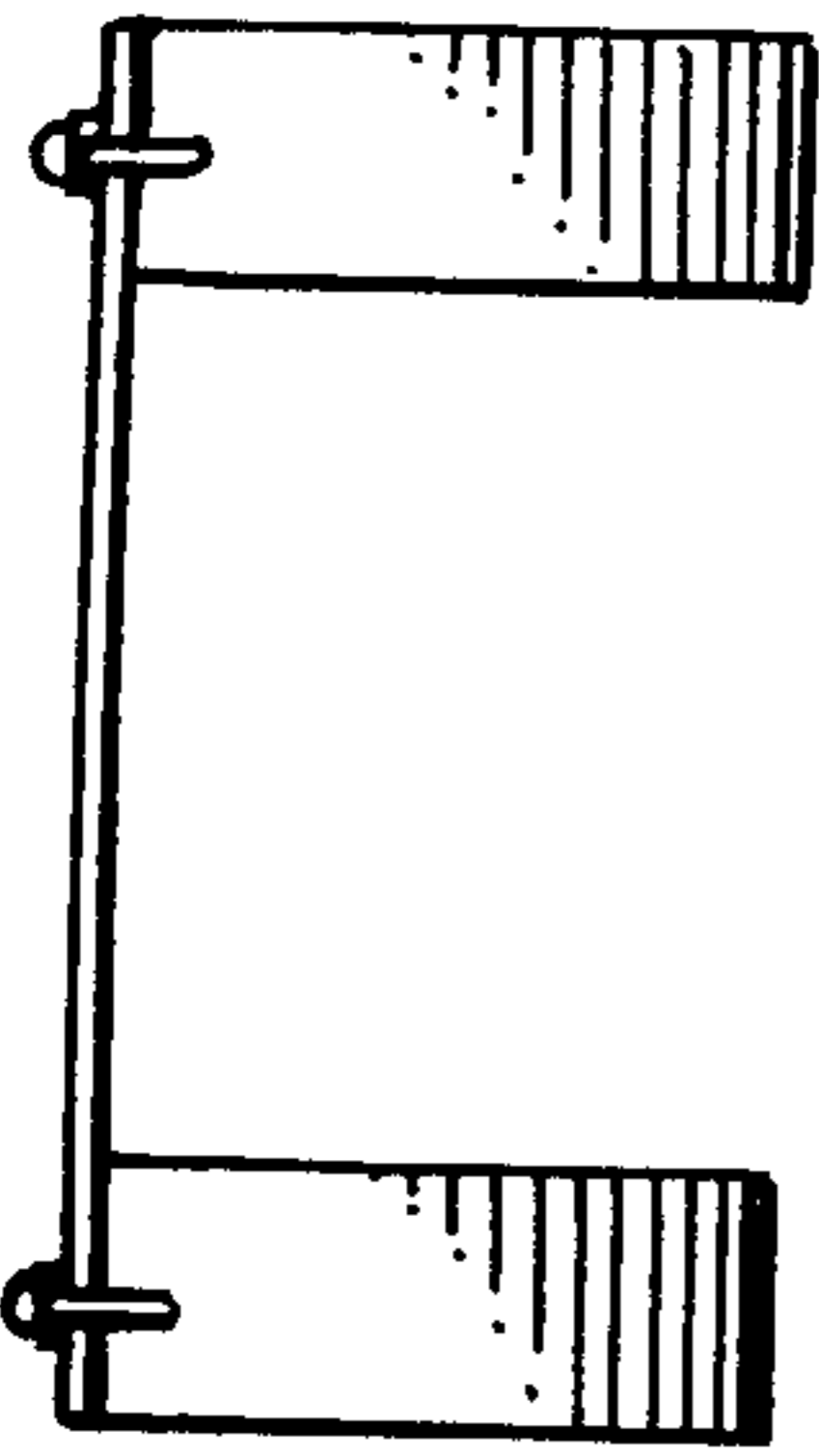


FIG. 3

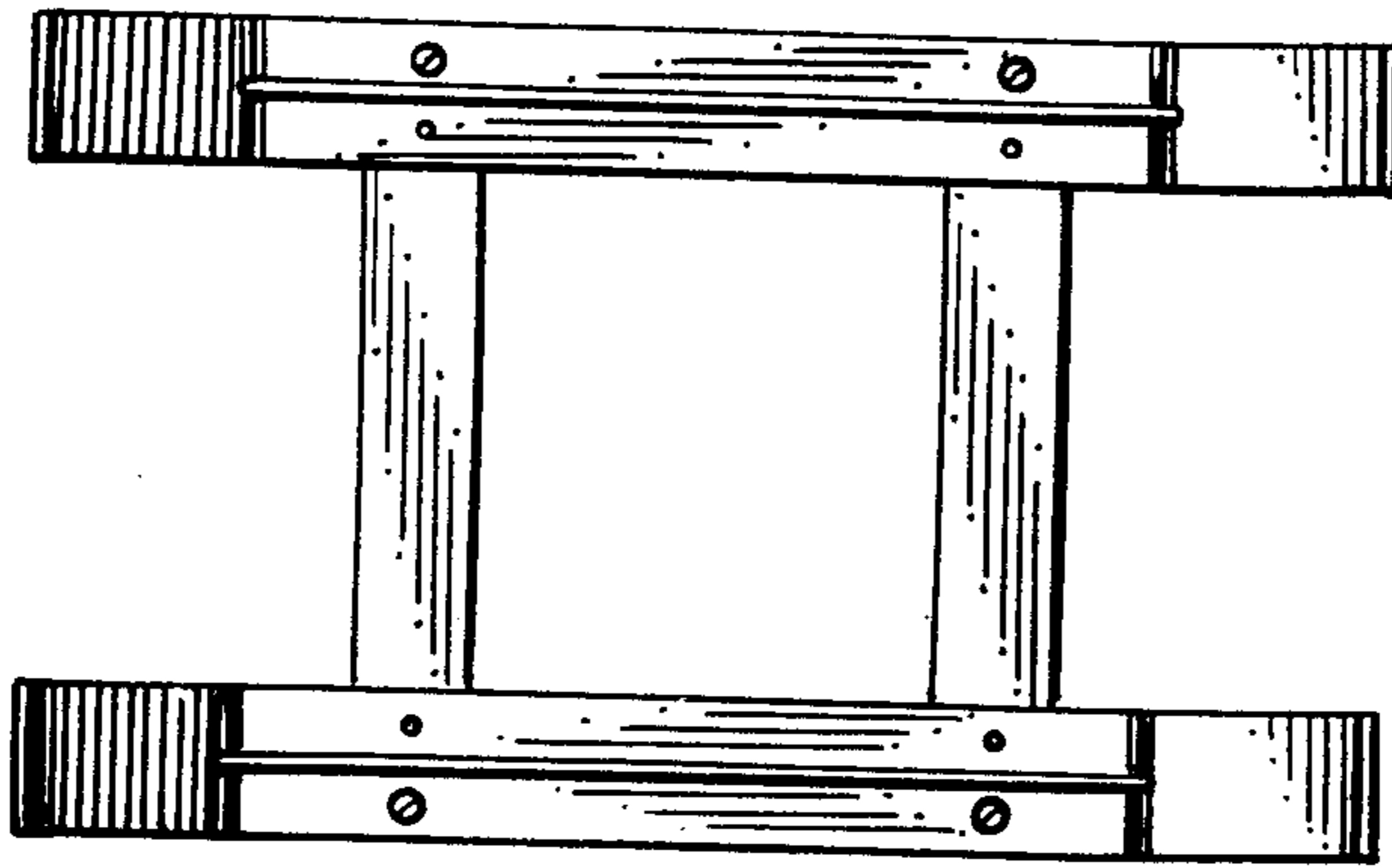


FIG. 4

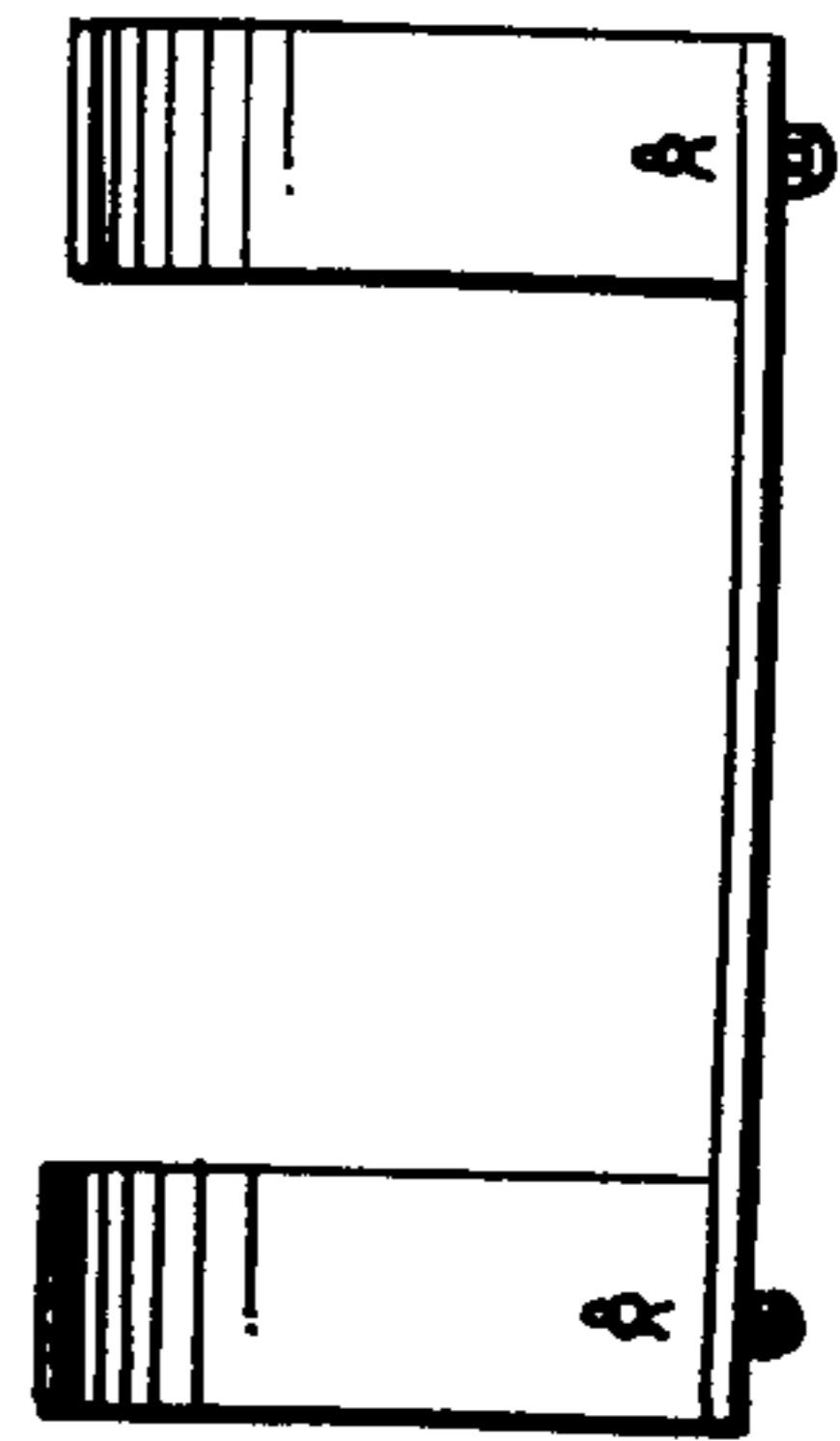


FIG. 5

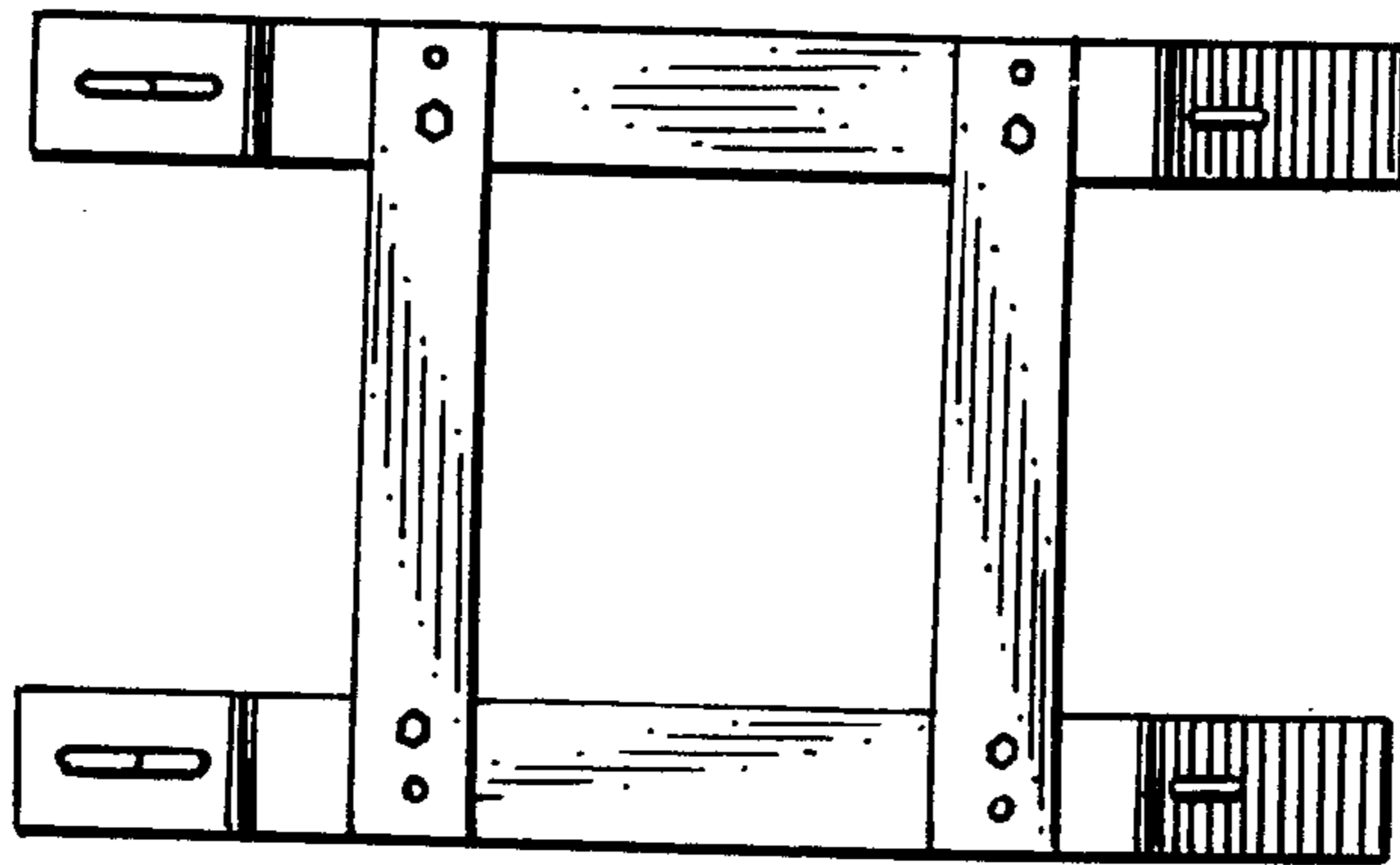


FIG. 6

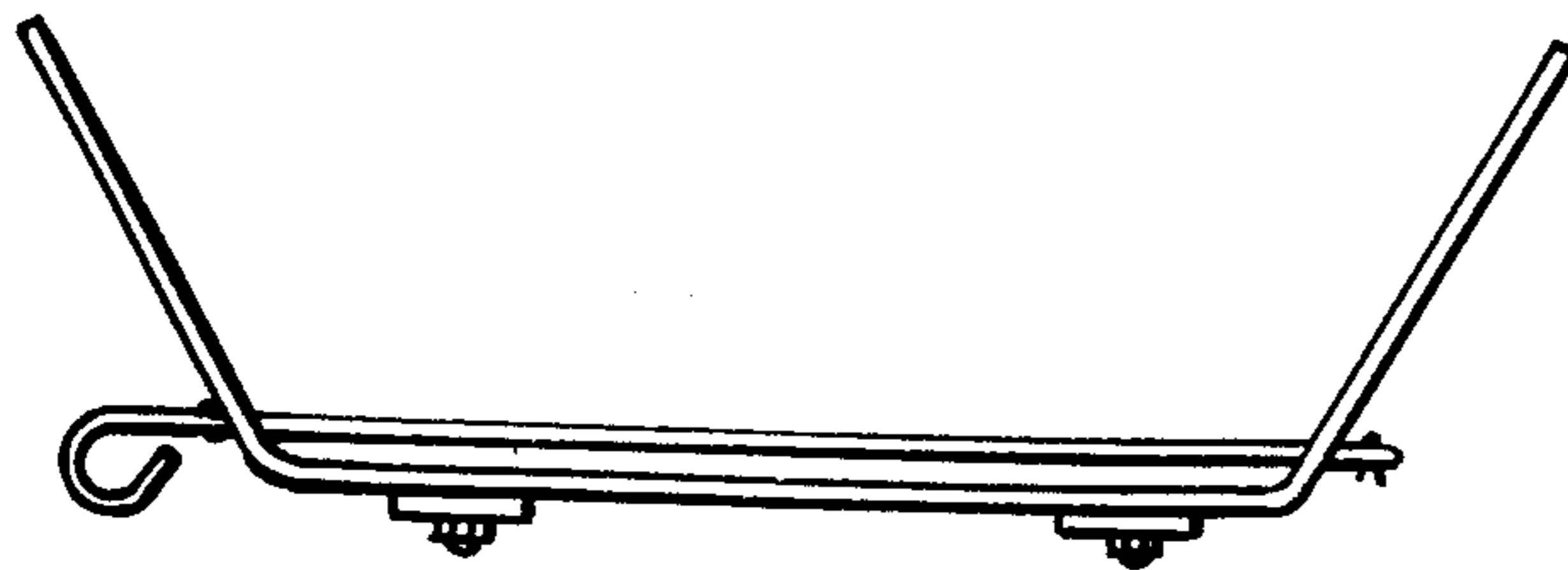


FIG. 7

