

[54] TABLE

[75] Inventor: Nicholas A. Ungaro, Louisville, Ky.

[73] Assignee: Peters-Revington Corporation, Amsterdam, N.Y.

[\*\*] Term: 14 Years

[21] Appl. No.: 822,483

[22] Filed: Aug. 8, 1977

[51] Int. Cl. .... D6-03

[52] U.S. Cl. .... D6/175

[58] Field of Search ..... D6/27, 146-149, D6/173, 175, 177-179

D. 220,704 5/1971 Kramer ..... D6/177

D. 247,733 4/1978 Robinson ..... D6/177

OTHER PUBLICATIONS

Interiors, 12-1974, p. 65, Table right foreground.  
Design Catalog, 2-1966, p. 44, Table.

Primary Examiner—Bruce W. Dunkins  
Attorney, Agent, or Firm—Joseph P. Flanagan

[57] CLAIM

The ornamental design for a table, as shown and described.

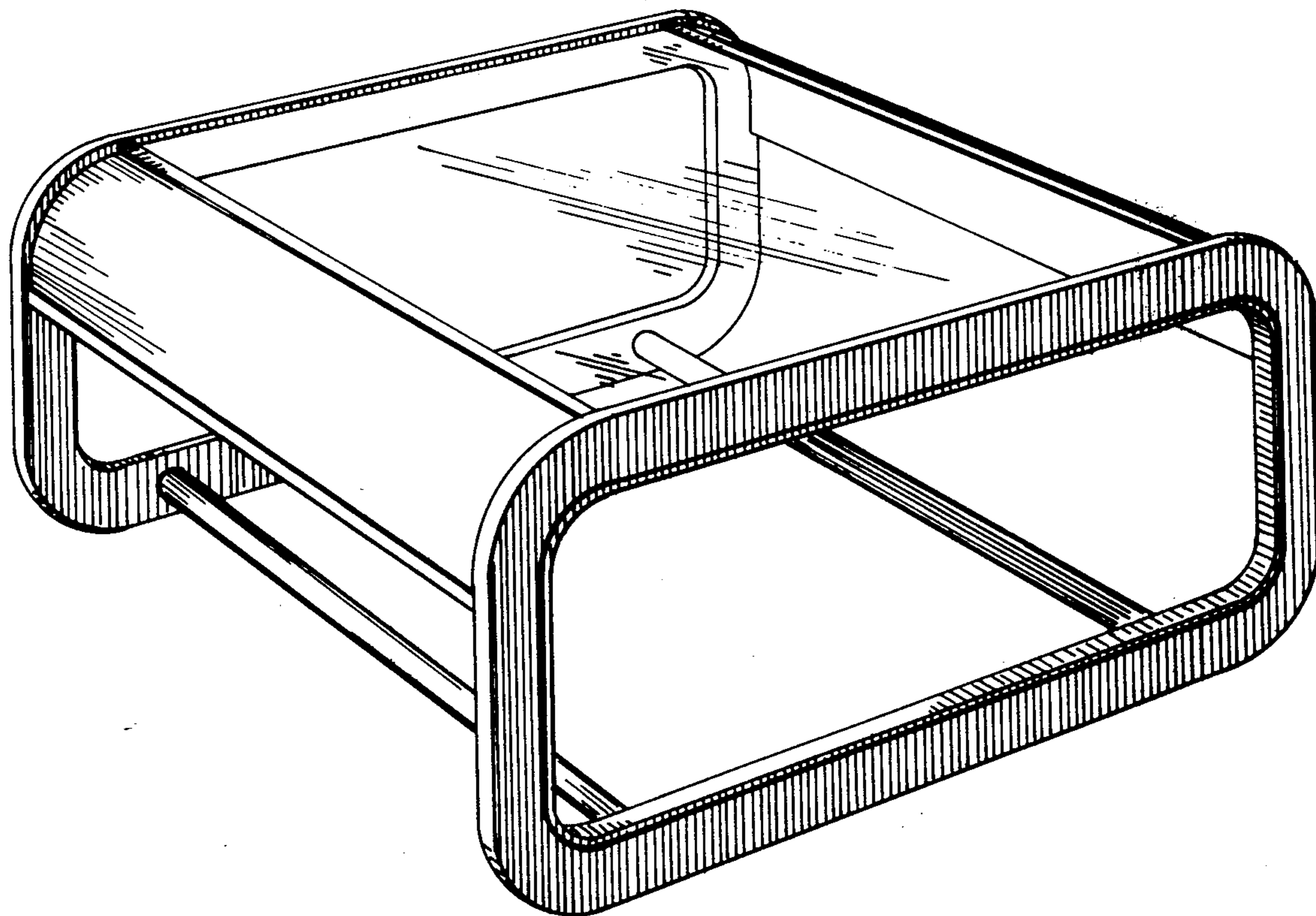
DESCRIPTION

FIG. 1 is a perspective view of a table showing my design; and  
FIG. 2 is a perspective view of a modified form thereof.  
The sides and ends of the table not shown are mirror images of the sides and ends shown respectively.

[56] References Cited

U.S. PATENT DOCUMENTS

D. 217,261 4/1970 Gianfagna ..... D6/177



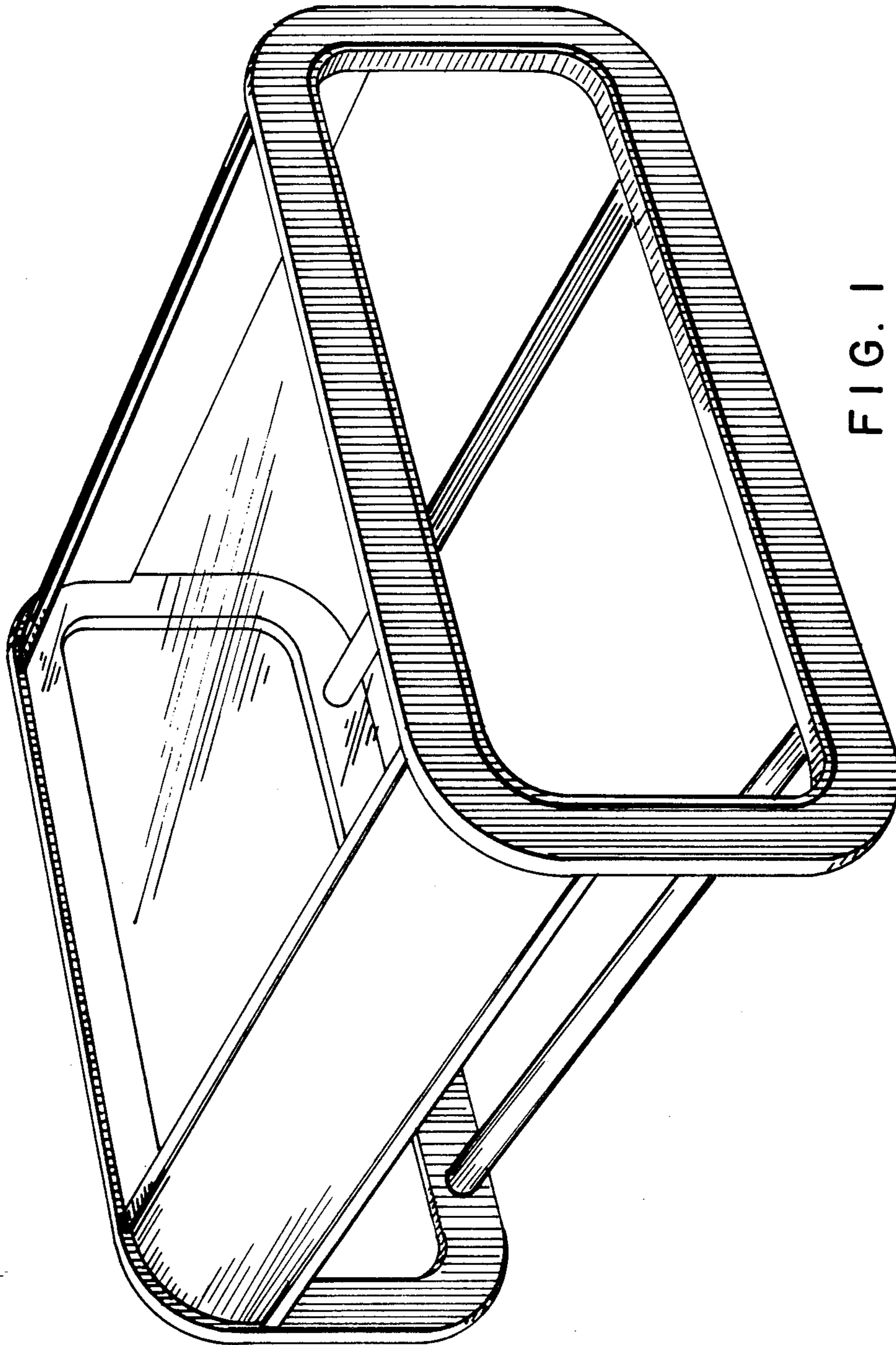


FIG. 1

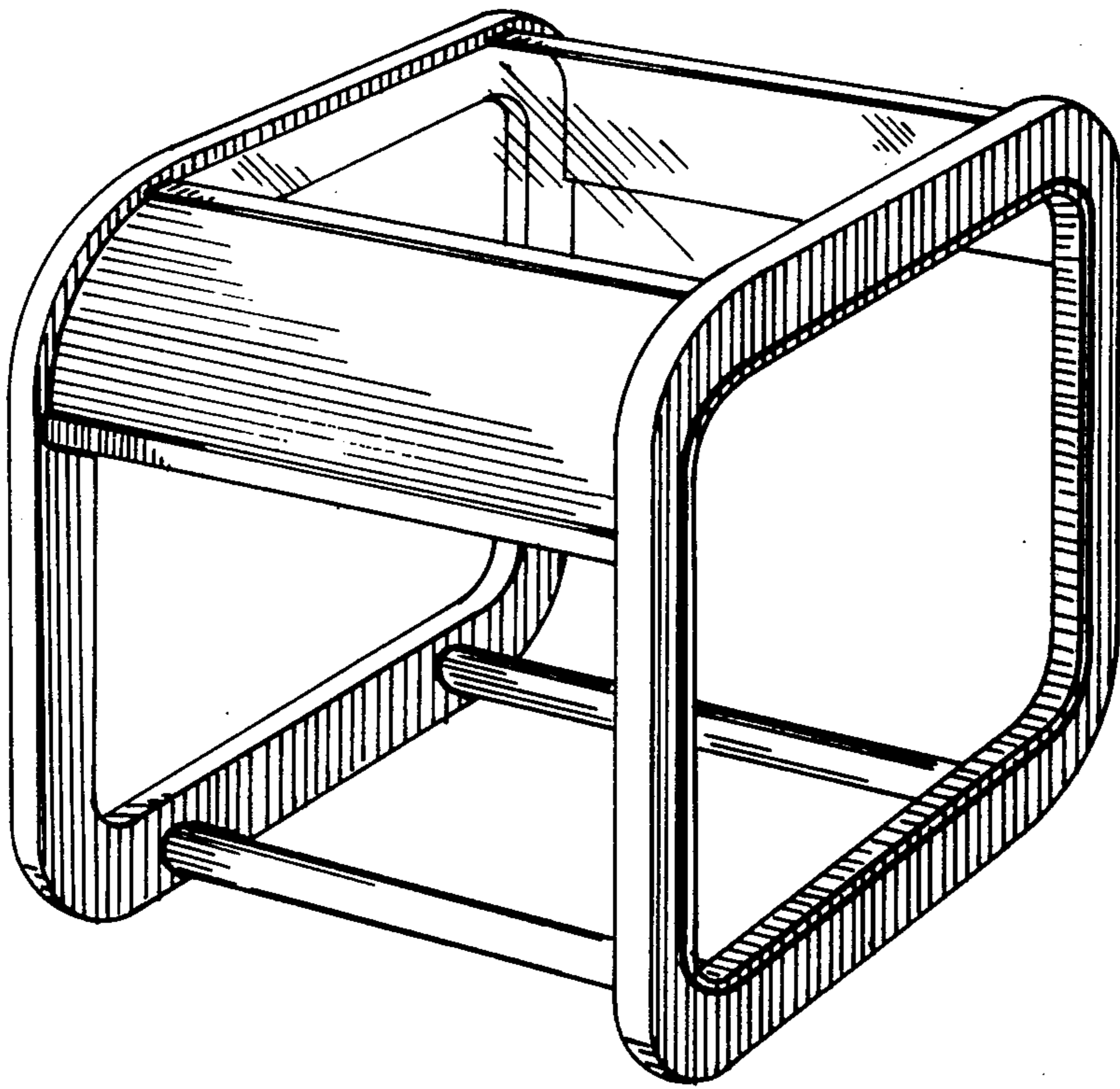


FIG. 2