

[54] BELT BUCKLE

[75] Inventor: Ryk V. Brouwer, Los Angeles, Calif.

[73] Assignee: Raintree Buckle and Jewelry Inc., Los Angeles, Calif.

[**] Term: 14 Years

[21] Appl. No.: 846,617

[22] Filed: Oct. 28, 1977

[51] Int. Cl. D02-07

[52] U.S. Cl. D2/431

[58] Field of Search D2/380-393, D2/405, 431, 432, 433, 439, 440, 442, 444, 447, 448; D11/40, 44, 48, 49, 50, 57, 58, 79, 81, 82, 99, 100, 107, 134, 137, 158, 157, 162; 2/311, 321, 322; 24/163 R, 186, 187, 197, 198, 199, 200, 163 K; 63/2, 21

[56] References Cited

U.S. PATENT DOCUMENTS

- D. 242,506 11/1976 Dolas D2/431
- D. 246,842 1/1978 Campbell D11/137

OTHER PUBLICATIONS

- Mens's Wear Publication, Nov. 12, 1971, p. 113, Flat Buckle with Butterfly.
- The Christmas Trail, Abercrombie & Co., Nov. 1938, p. 4, Leather Waste Basket.
- Syroco Wood Cat. #11, Oct. 1949, p. 17, Item #S1006, "Flying Goose Set".

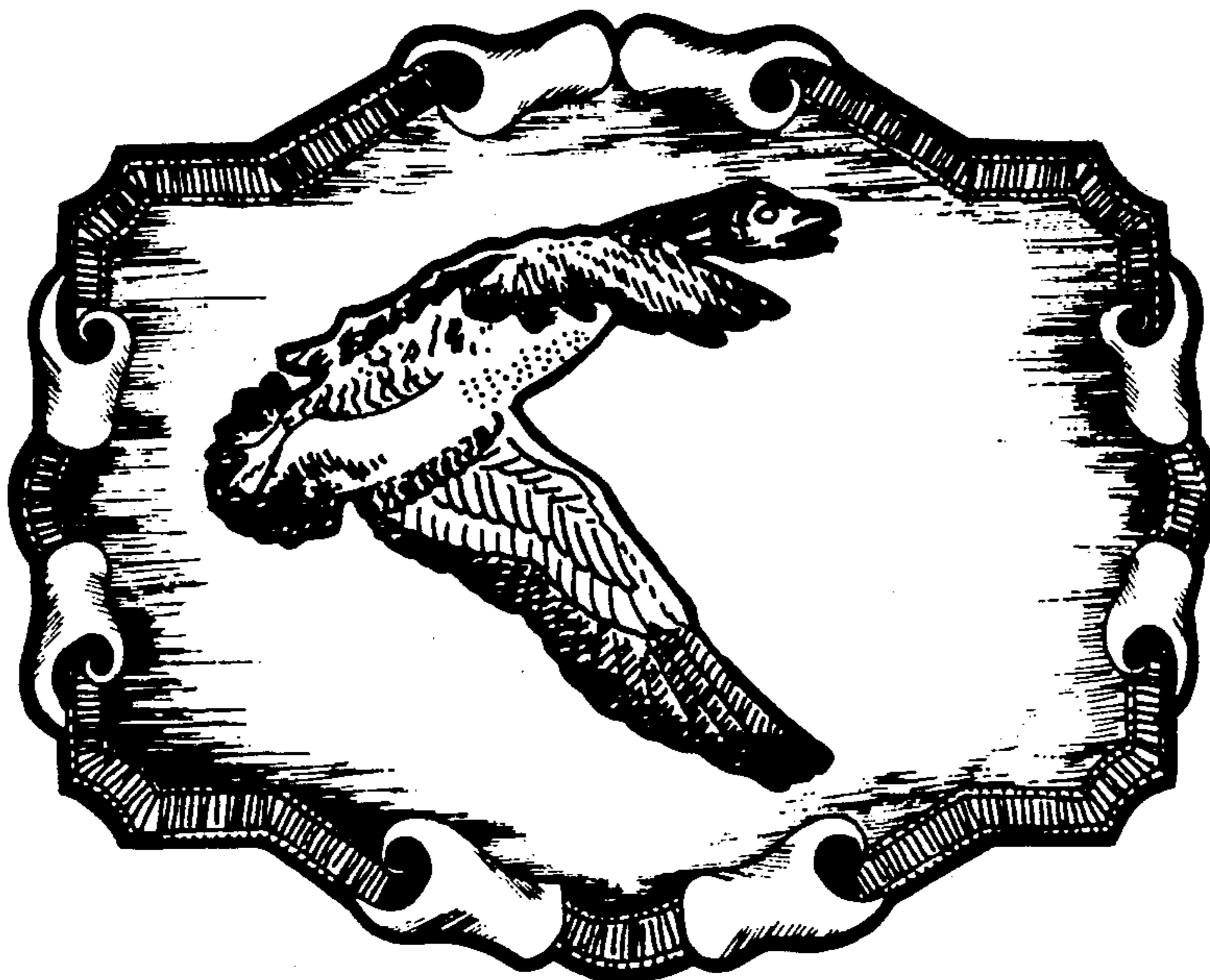
Primary Examiner—Joel Stearman
Assistant Examiner—Carmen H. Vales
Attorney, Agent, or Firm—Warren L. Patton

[57] CLAIM

The ornamental design for belt buckle, substantially as shown.

DESCRIPTION

FIG. 1 is a front elevational view of a belt buckle, showing my new design;
FIG. 2 is a side elevational view taken from the right-hand side of FIG. 1;
FIG. 3 is a top plan view; and
FIG. 4 is a rear elevational view.



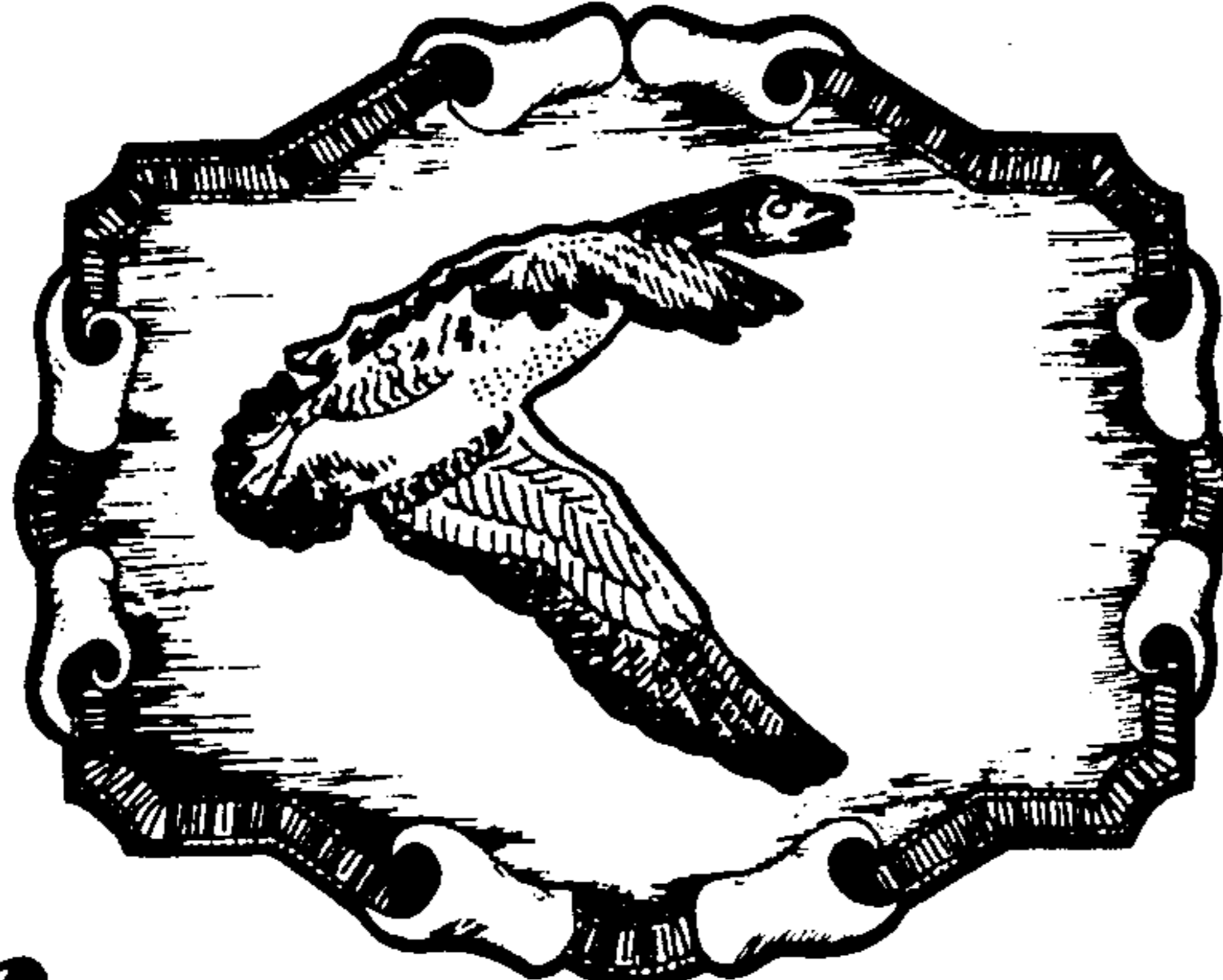


Fig. 1

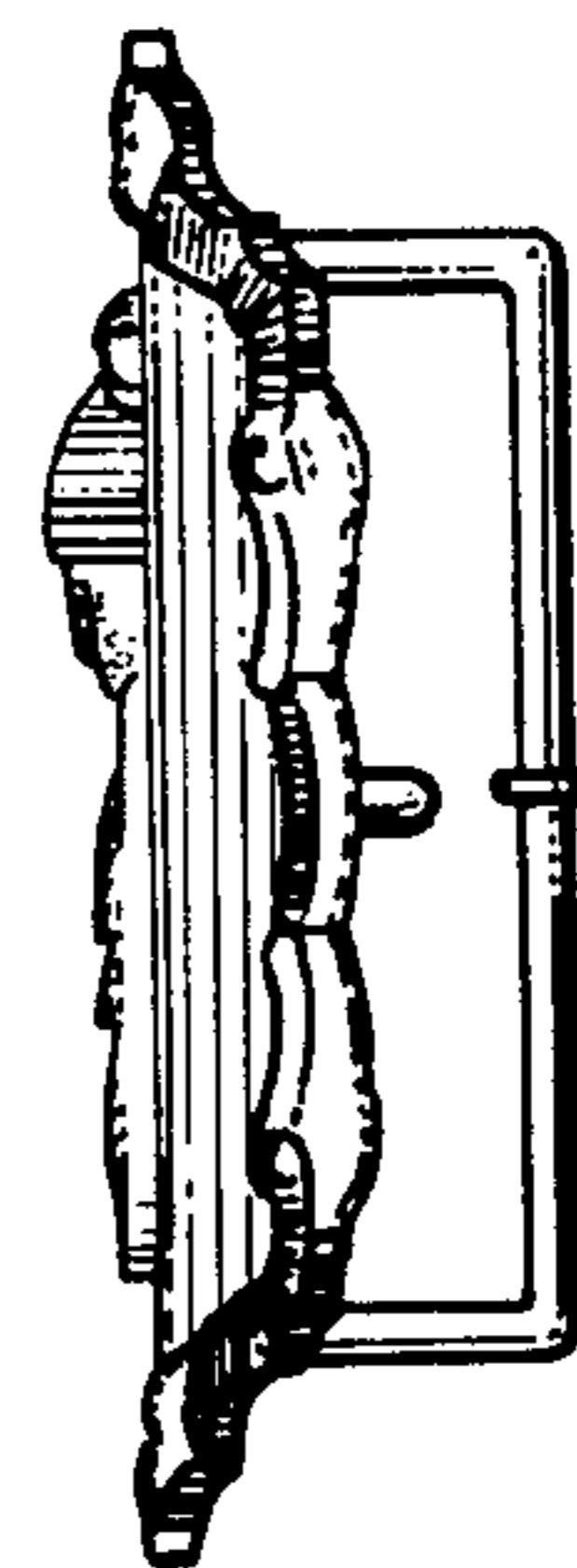


Fig. 2



Fig. 3

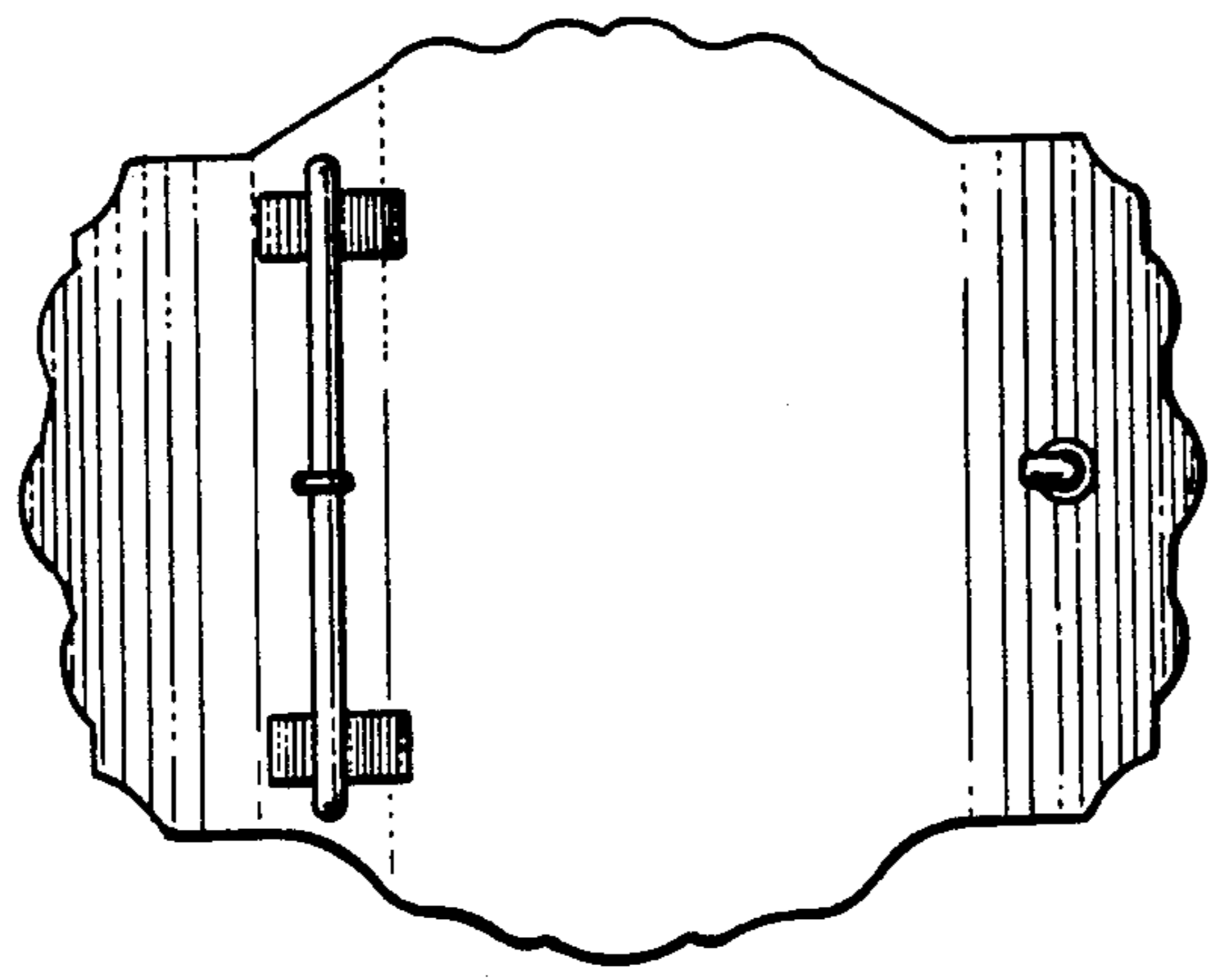


Fig. 4