

[54] TOY VEHICLE

[75] Inventor: Terada Shigenori, Tokyo, Japan

[73] Assignee: Tomy Kogyo, Co., Inc., Tokyo, Japan

[**] Term: 14 Years

[21] Appl. No.: 821,624

[22] Filed: Aug. 4, 1977

[51] Int. Cl. D21-01

[52] U.S. Cl. D21/134

[58] Field of Search D34/15 AJ, 15 AN;
46/111, 97, 201, 202, 206, 214, 210

[56] References Cited

U.S. PATENT DOCUMENTS

D. 208,095 7/1967 Ostrander D34/15 AJ

D. 227,283 6/1973 Ogasawara D34/15 AJ
D. 230,415 2/1974 Salmon D34/15 AN

Primary Examiner—Joel Stearman
Assistant Examiner—Charles A. Rademaker
Attorney, Agent, or Firm—Edward D. O'Brian

[57] CLAIM

The ornamental design for toy vehicle, substantially as shown and described.

DESCRIPTION

FIG. 1 is a side elevational view of a toy vehicle embodying my new design the side opposite being substantially a mirror image;

FIG. 2 is a front elevational view thereof;

FIG. 3 is a rear elevational view thereof;

FIG. 4 is a top plan view thereof; and

FIG. 5 is a bottom plan view thereof.

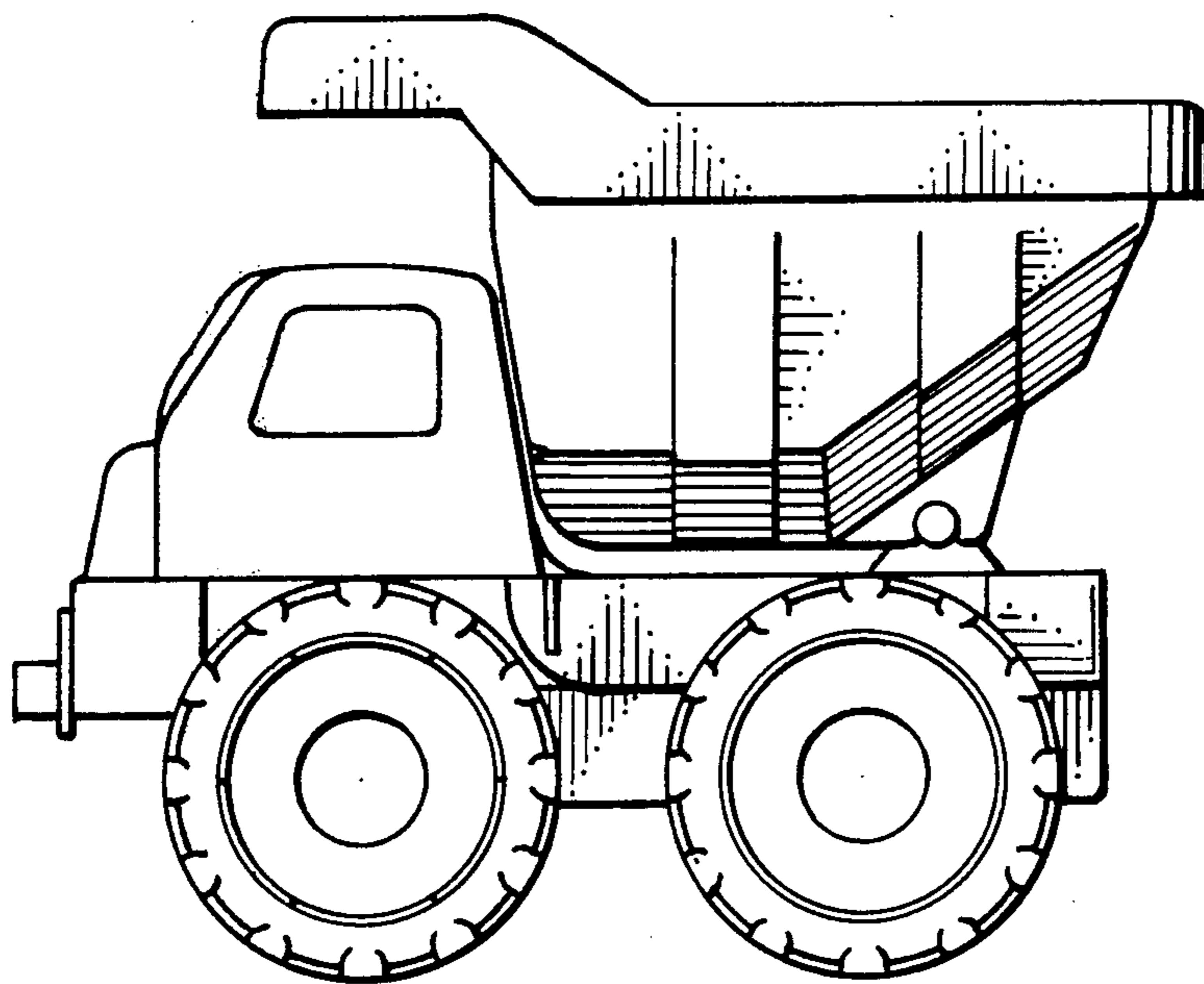


FIG. 1.

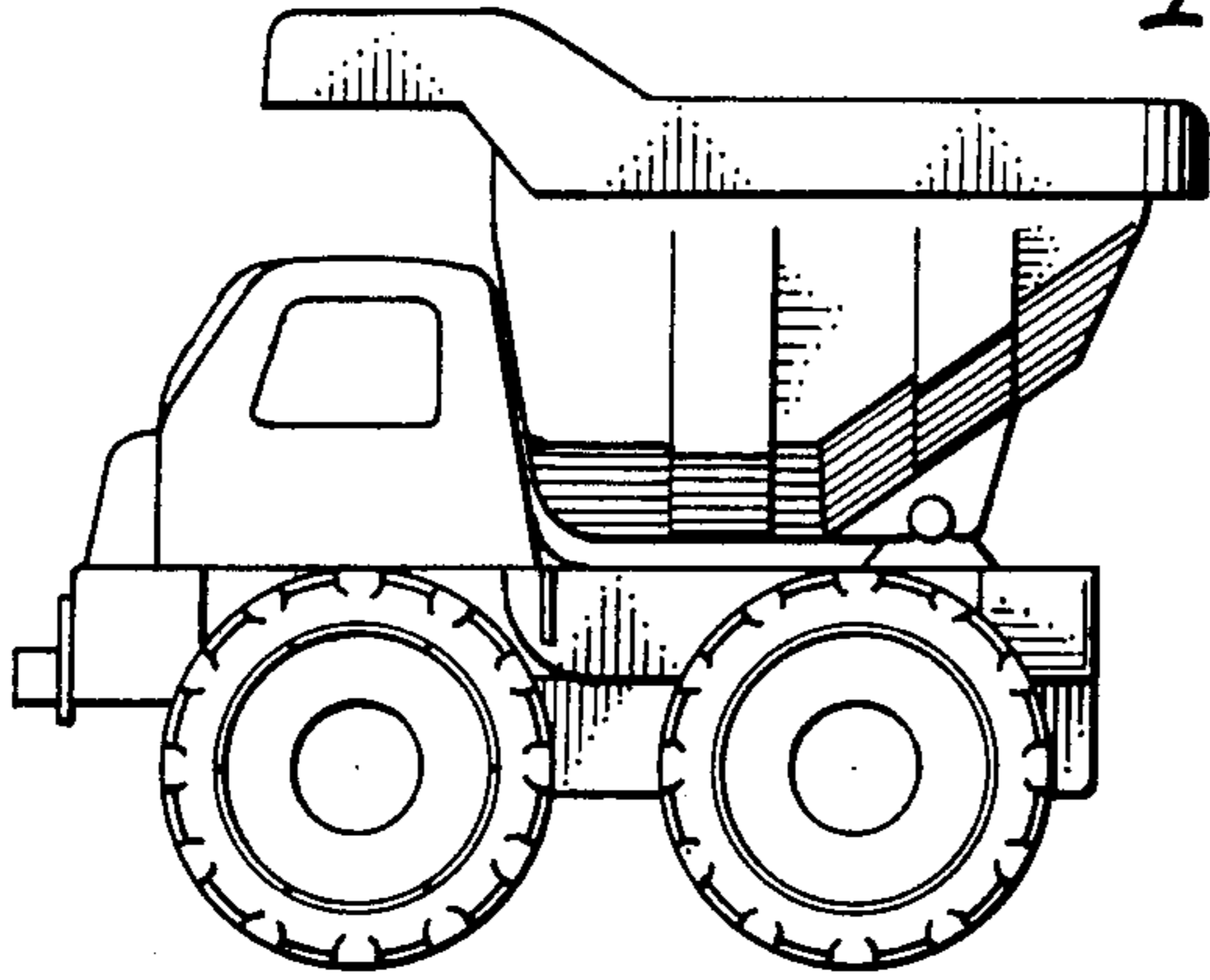


FIG. 2.

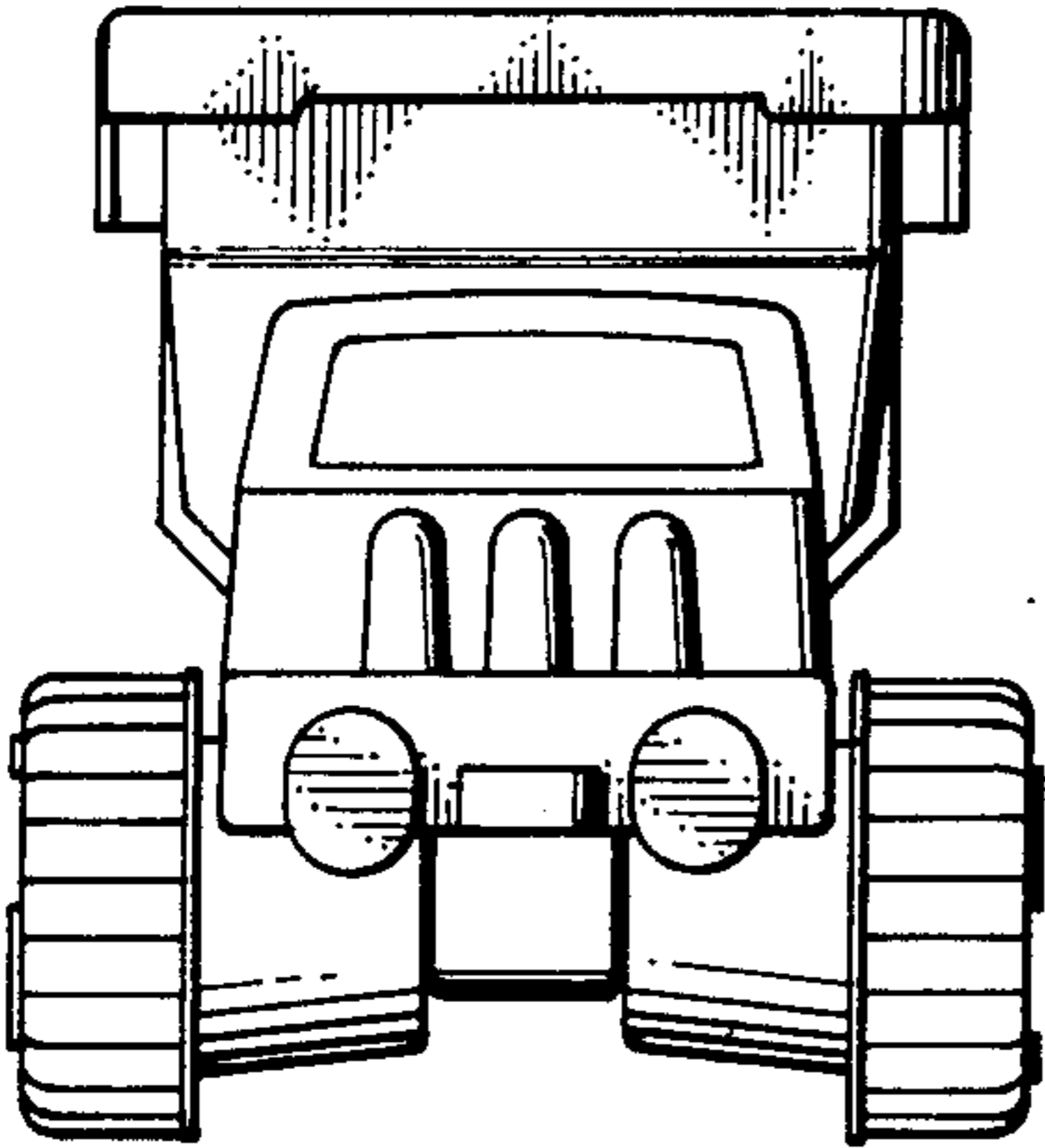


FIG. 3.

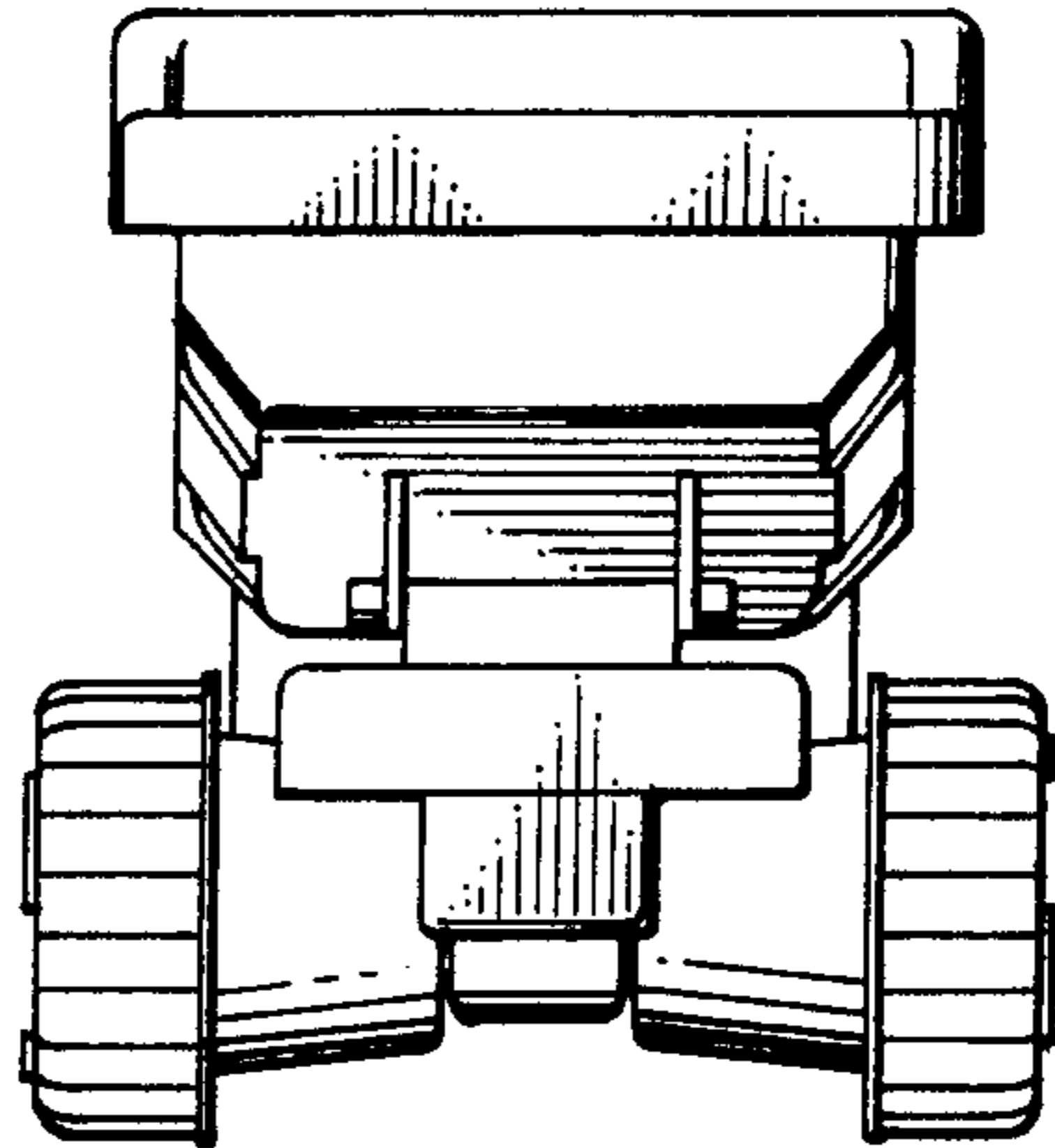


FIG. 4.

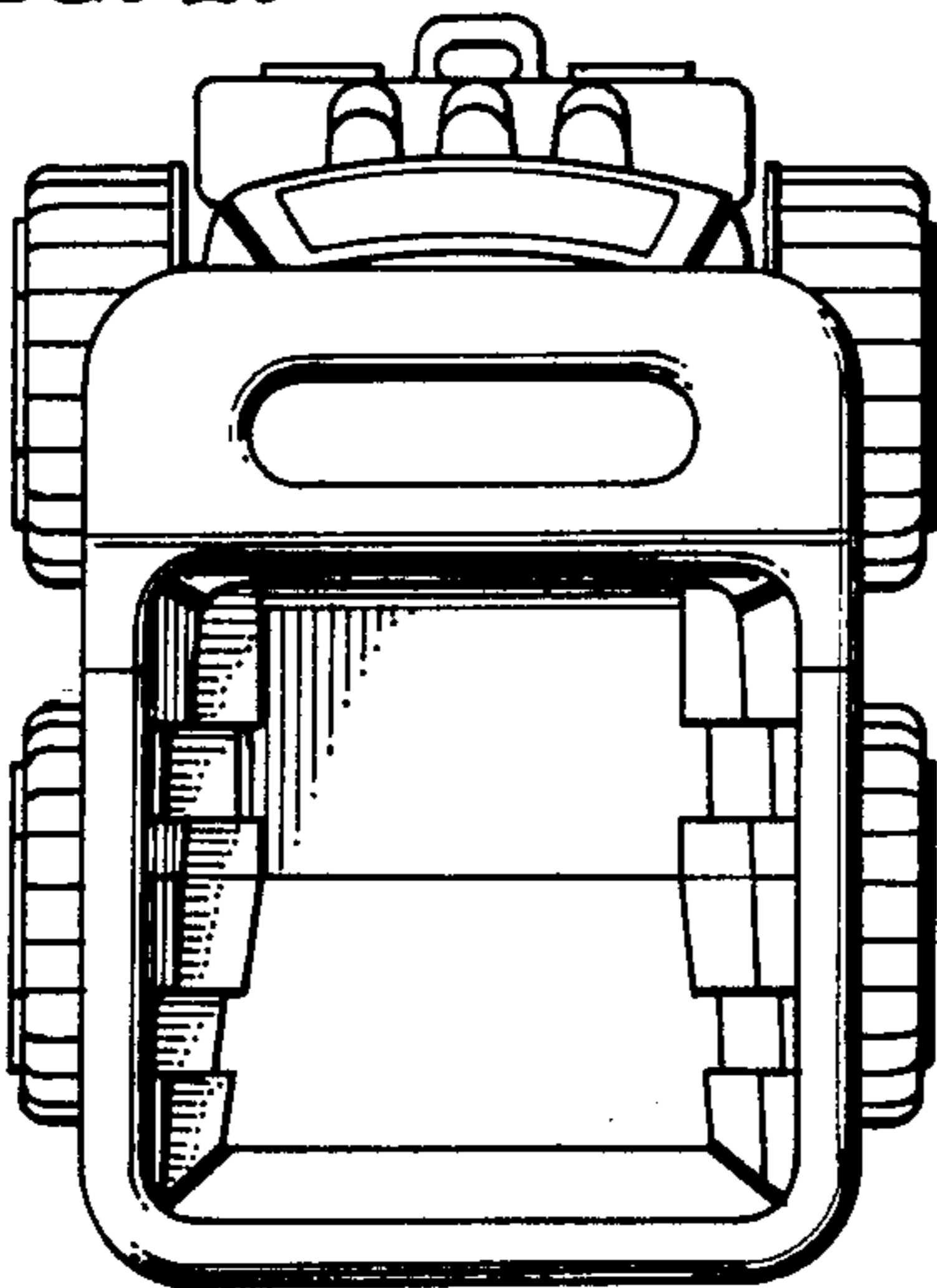


FIG. 5.

