

[54] GAME BOARD

[75] Inventor: Shihei Kakinuma, Tokyo, Japan

[73] Assignee: Kabushiki Kaisha A-One, Japan

[**] Term: 14 Years

[21] Appl. No.: 796,204

[22] Filed: May 12, 1977

[51] Int. Cl. D21-01

[52] U.S. Cl. D21/33

[58] Field of Search D34/5 SS; 273/236-287

[56] References Cited

U.S. PATENT DOCUMENTS

D. 242,934 1/1977 Tsukuda D34/5 SS

3,961,794 6/1976 Goldfarb et al. 273/273

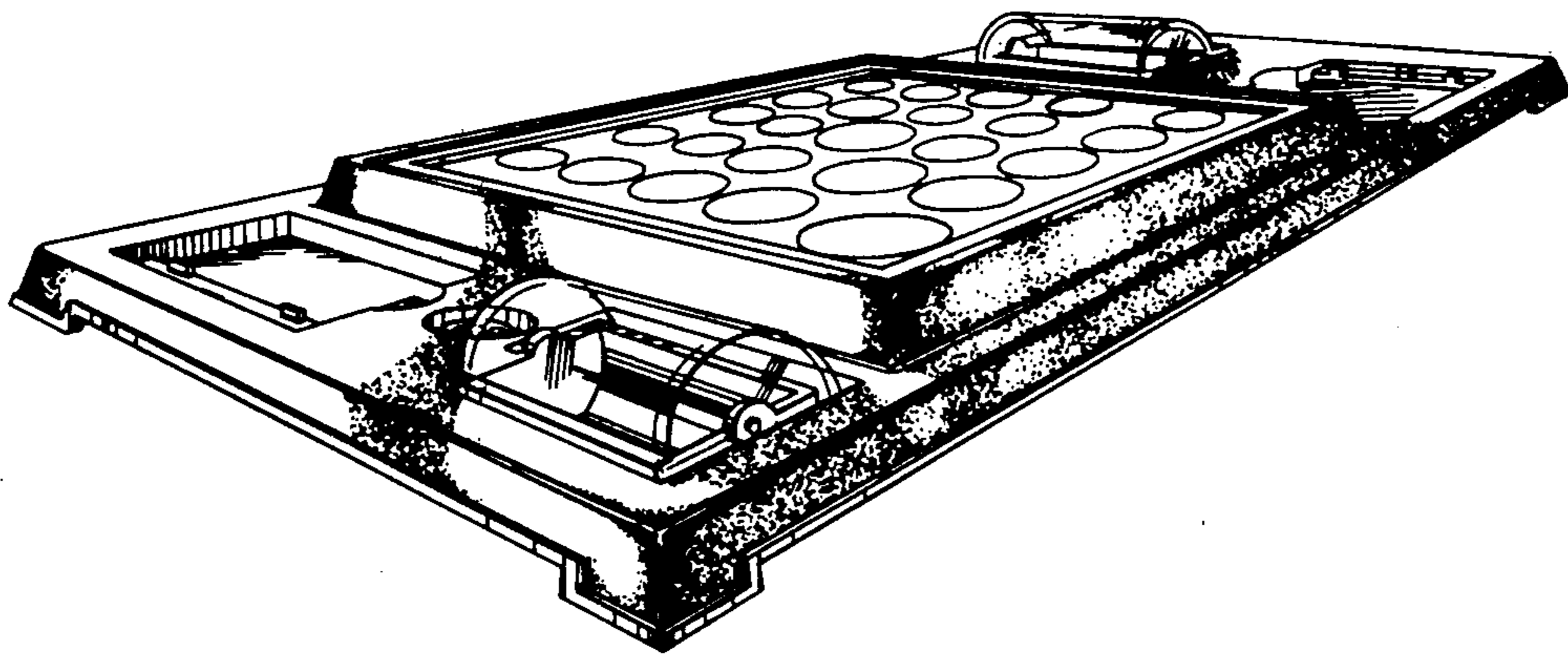
Primary Examiner—Melvin B. Feifer
Attorney, Agent, or Firm—John J. McGlew

[57] CLAIM

The ornamental design for game board, substantially as shown and described.

DESCRIPTION

FIG. 1 is a perspective of a game board showing my new design;
FIG. 2 is a left side elevation of the same, right side being identical;
FIG. 3 is a rear side elevation of the same, front side being identical;
FIG. 4 is a top plan view of the same; and
FIG. 5 is a bottom plan view of the same.



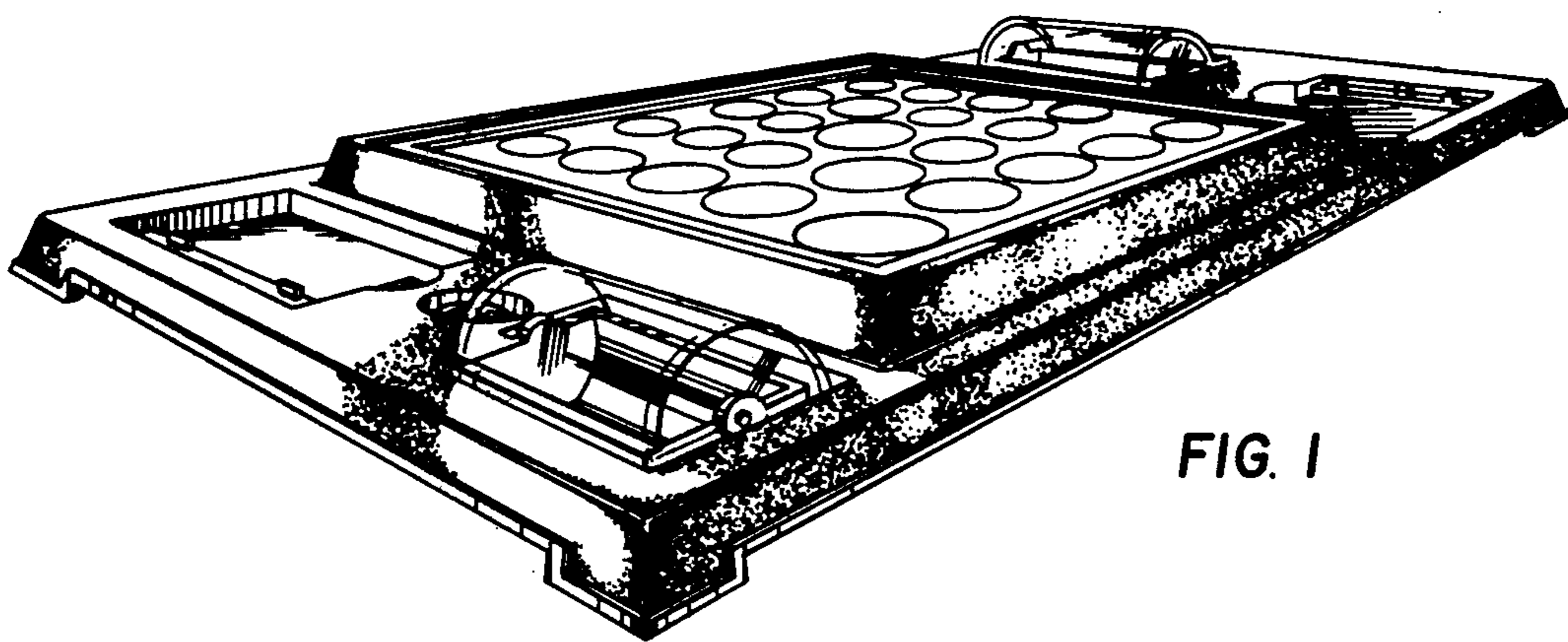


FIG. 1

FIG. 2

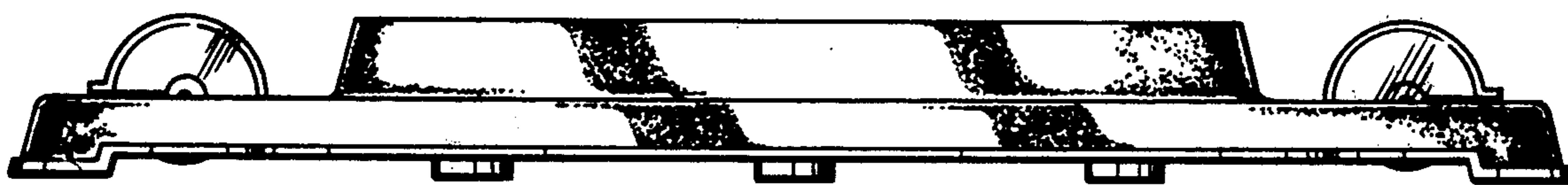


FIG. 3



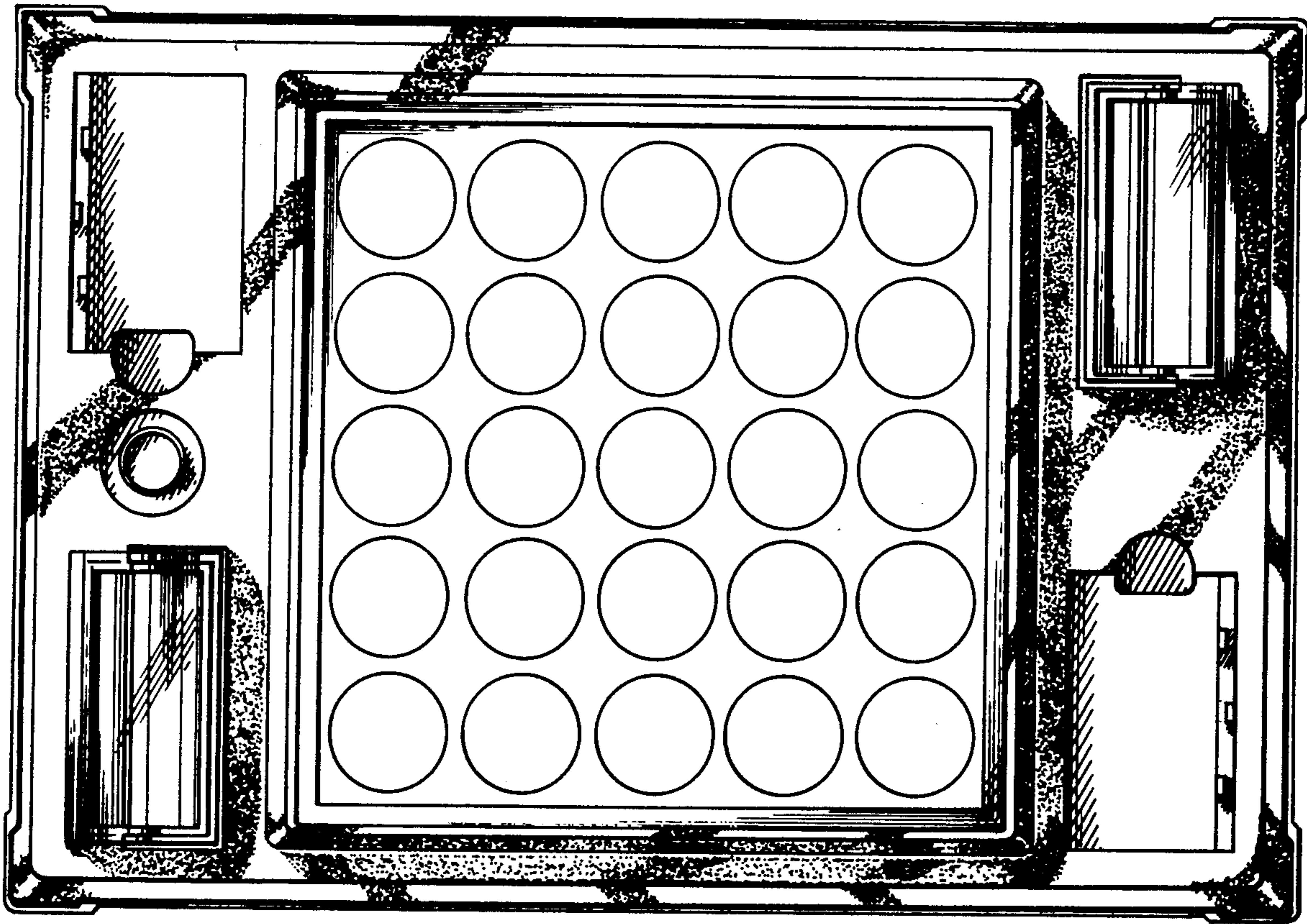


FIG. 4

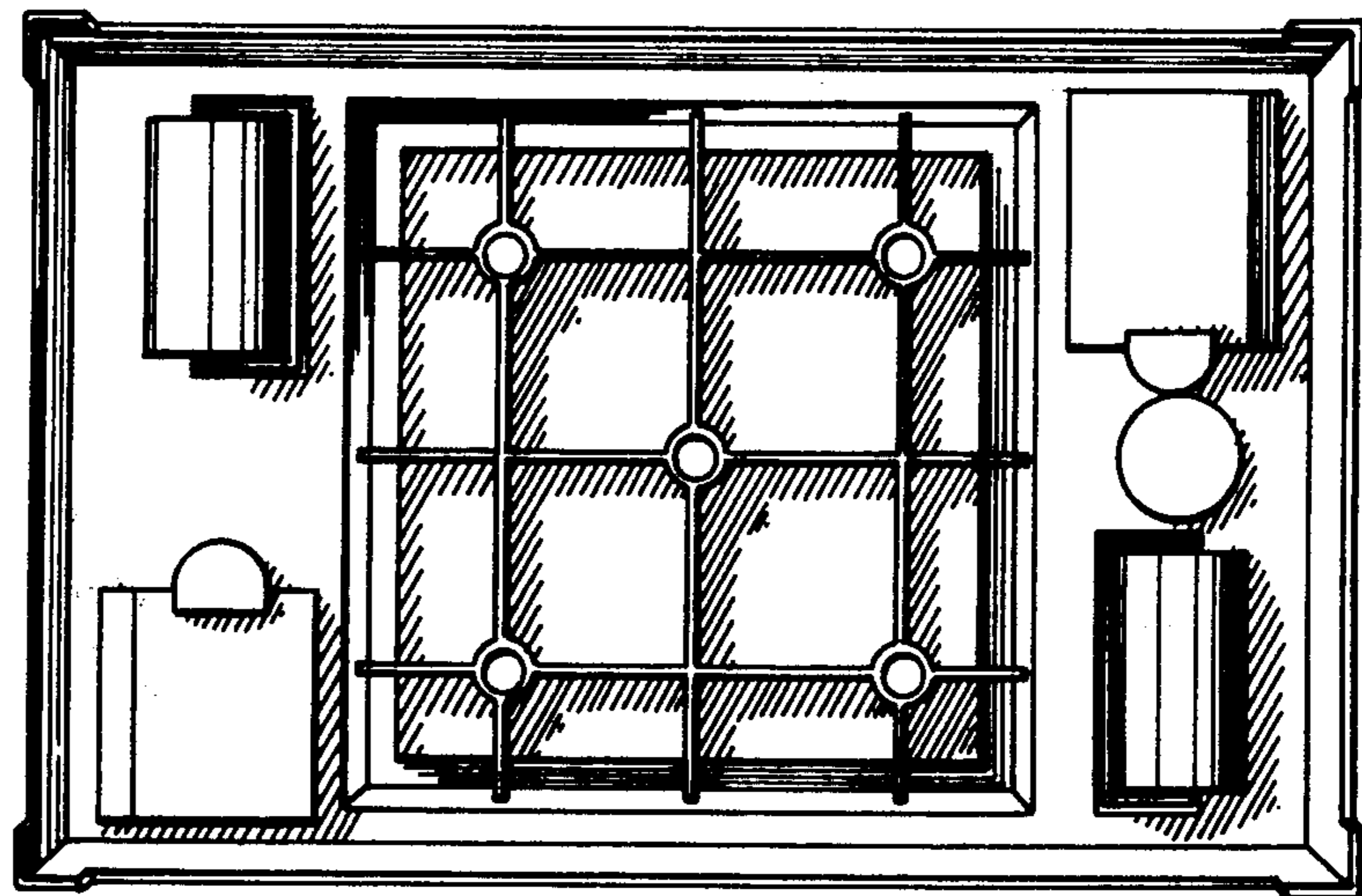


FIG. 5