

[54] APPARATUS FOR ROUGHENING AND CLEANING A SURFACE OR THE LIKE

[75] Inventor: Paul Dummermuth, Zunzgen, Switzerland

[73] Assignee: Von Arx AG, Sissach, Switzerland

[\*\*] Term: 14 Years

[21] Appl. No.: 796,802

[22] Filed: May 13, 1977

[51] Int. Cl. .... D15-05

[52] U.S. Cl. .... D15/48; D15/50

[58] Field of Search ..... D15/50, 48, 49, 52, D15/53, 54, 55, 56, 62, 63, 64, 122, 124, 126, 138, 141, 142; 15/49 R, 50 R; D8/61, 62, 67, 68, 69, 70; 51/170 R

[56] References Cited

U.S. PATENT DOCUMENTS

D. 118,581	1/1940	Holt .....	D15/50
D. 131,286	2/1942	Pond .....	D15/48
D. 172,168	5/1954	Meagher .....	D15/50

Primary Examiner—Wallace R. Burke  
Assistant Examiner—Catherine Kemper

[57] CLAIM

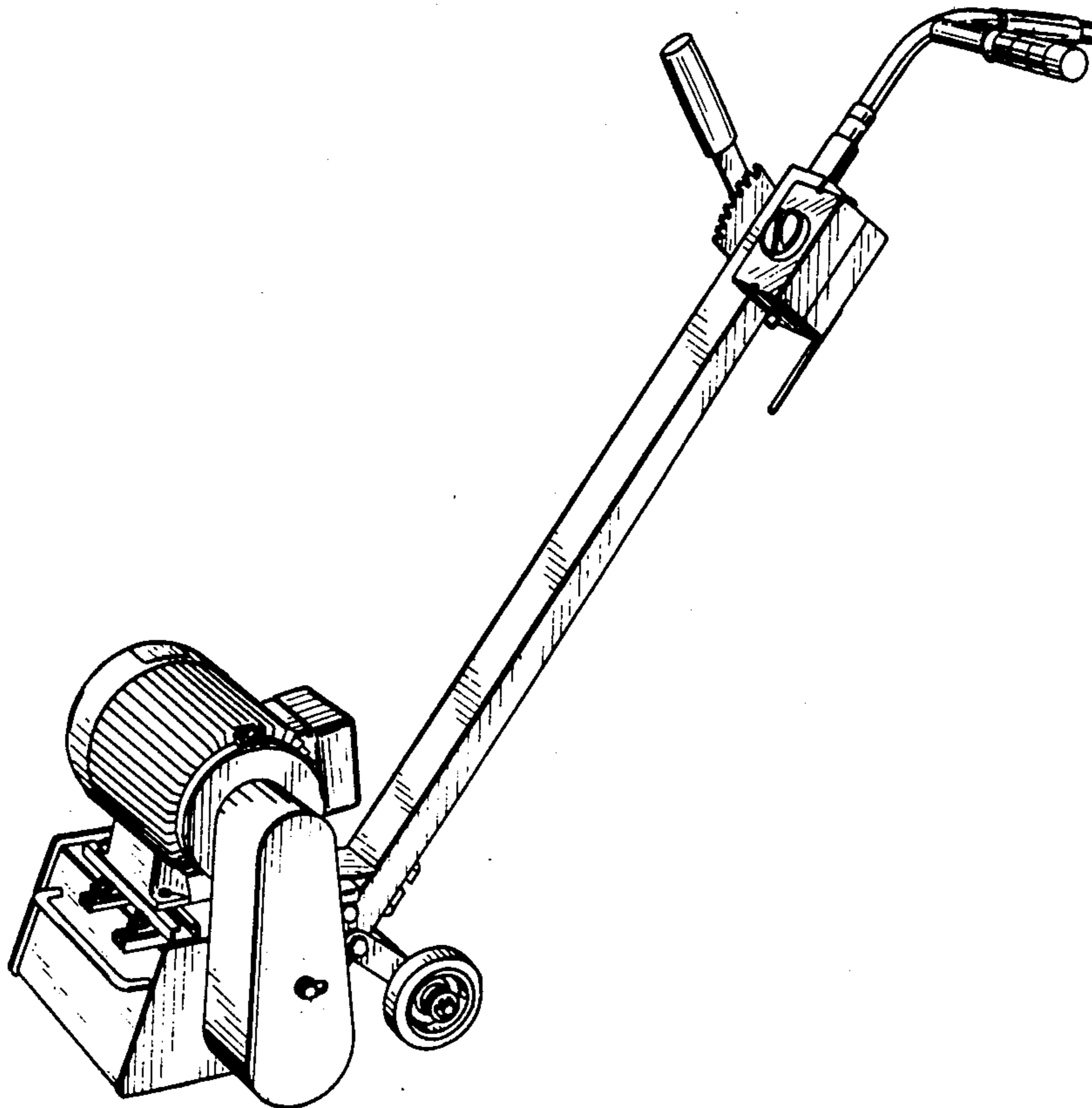
The ornamental design for an apparatus for roughening and cleaning a surface or the like, as shown.

DESCRIPTION

FIG. 1 is a perspective view of the apparatus for roughening and cleaning a surface or the like taken from the top, front and left sides thereof and showing my new design,

FIG. 2 is a perspective view thereof taken from the top, front and right sides thereof, and

FIG. 3 is a rear elevational view thereof.



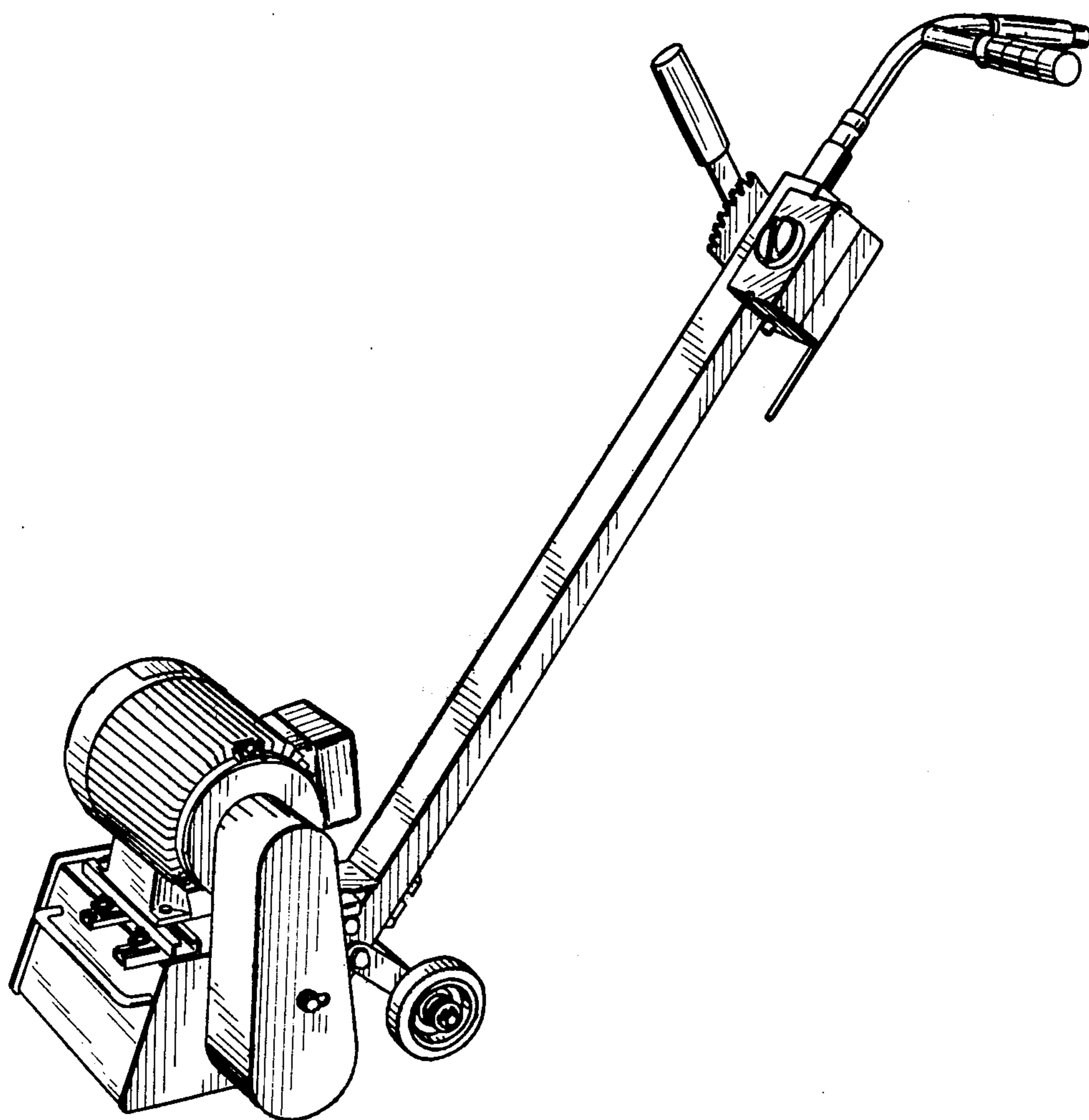


FIG. 1

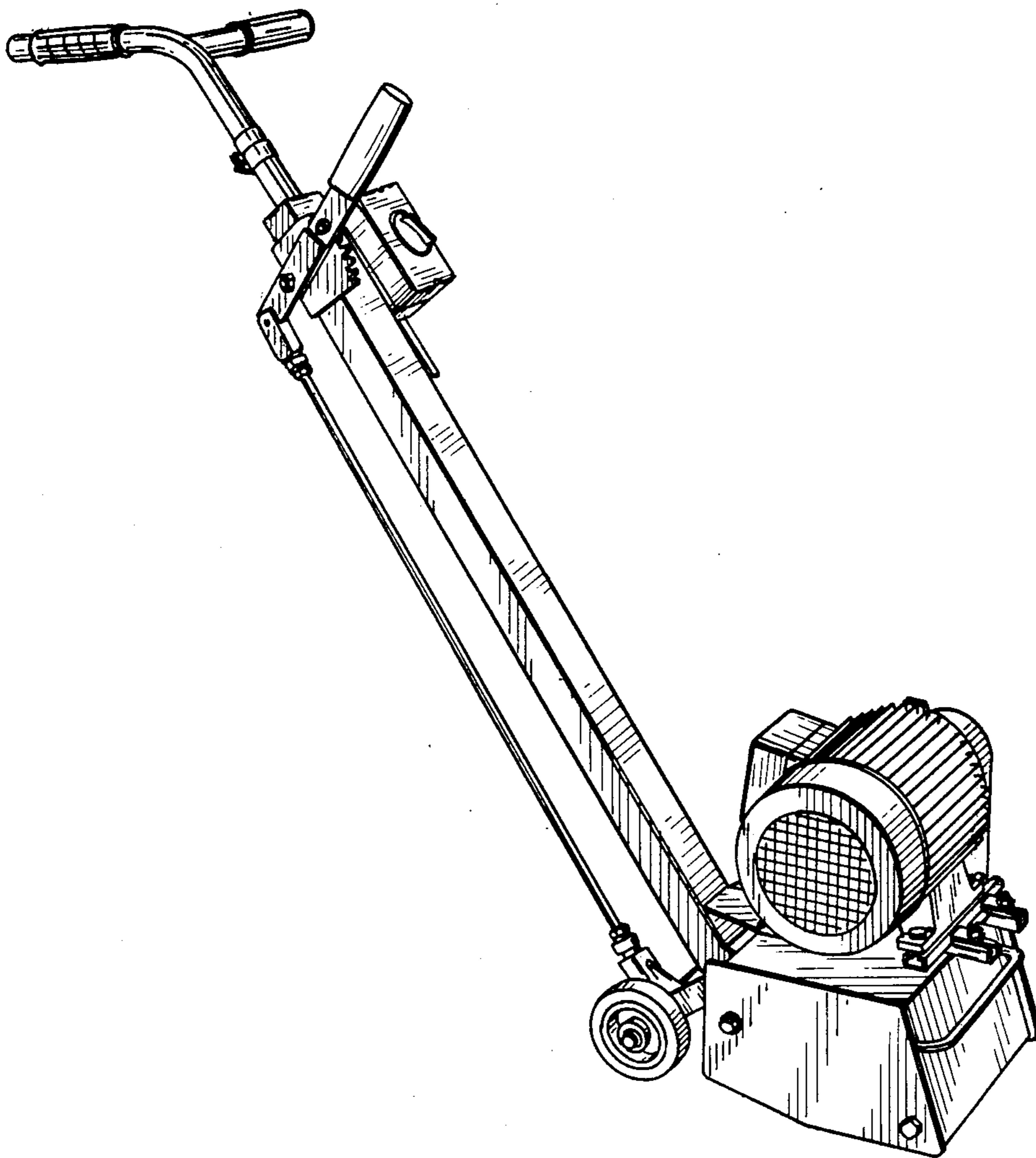


FIG. 2

*Fig. 3.*

