

[54] ELECTRIC POWERED EARTH TILLER

[75] Inventors: William R. Lessig, III, Towson;
Roderick F. Bunyea, Cockeysville;
Allen G. Beares, Towson, all of Md.

[73] Assignee: Black & Decker Inc., Newark, Del.

[**] Term: 14 Years

[21] Appl. No.: 826,688

[22] Filed: Aug. 22, 1977

[51] Int. Cl. D15-03

[52] U.S. Cl. D15/12

[58] Field of Search D15/12; 172/41, 42

[56] References Cited

U.S. PATENT DOCUMENTS

D. 247,899 5/1978 Underwood D15/12
2,823,597 2/1958 Kelsey 172/41

Primary Examiner—James M. Gandy
Attorney, Agent, or Firm—Edward D. Murphy

[57] CLAIM

The ornamental design for an electric powered earth tiller, as shown.

DESCRIPTION

FIG. 1 is a perspective view of an electric powered earth tiller showing our new design.

FIG. 2 is a front elevational view thereof to an enlarged scale.

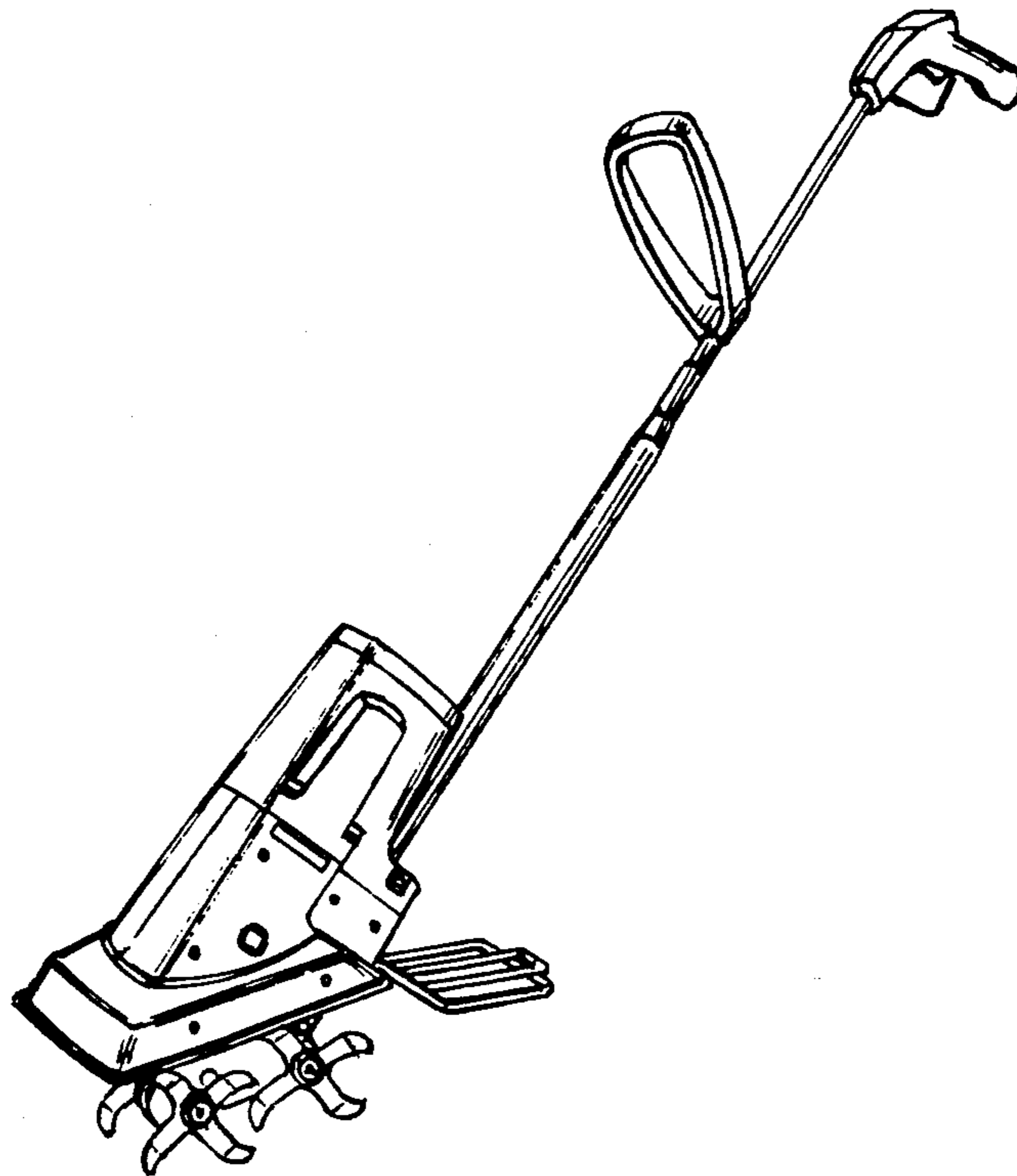
FIG. 3 is a rear elevational view thereof to an enlarged scale.

FIG. 4 is a top plan view thereof to an enlarged scale.

FIG. 5 is a bottom plan view thereof to an enlarged scale.

FIG. 6 is a side elevational view thereof to an enlarged scale.

FIG. 7 is a side elevational view thereof to an enlarged scale of the side opposite to that shown in FIG. 6.



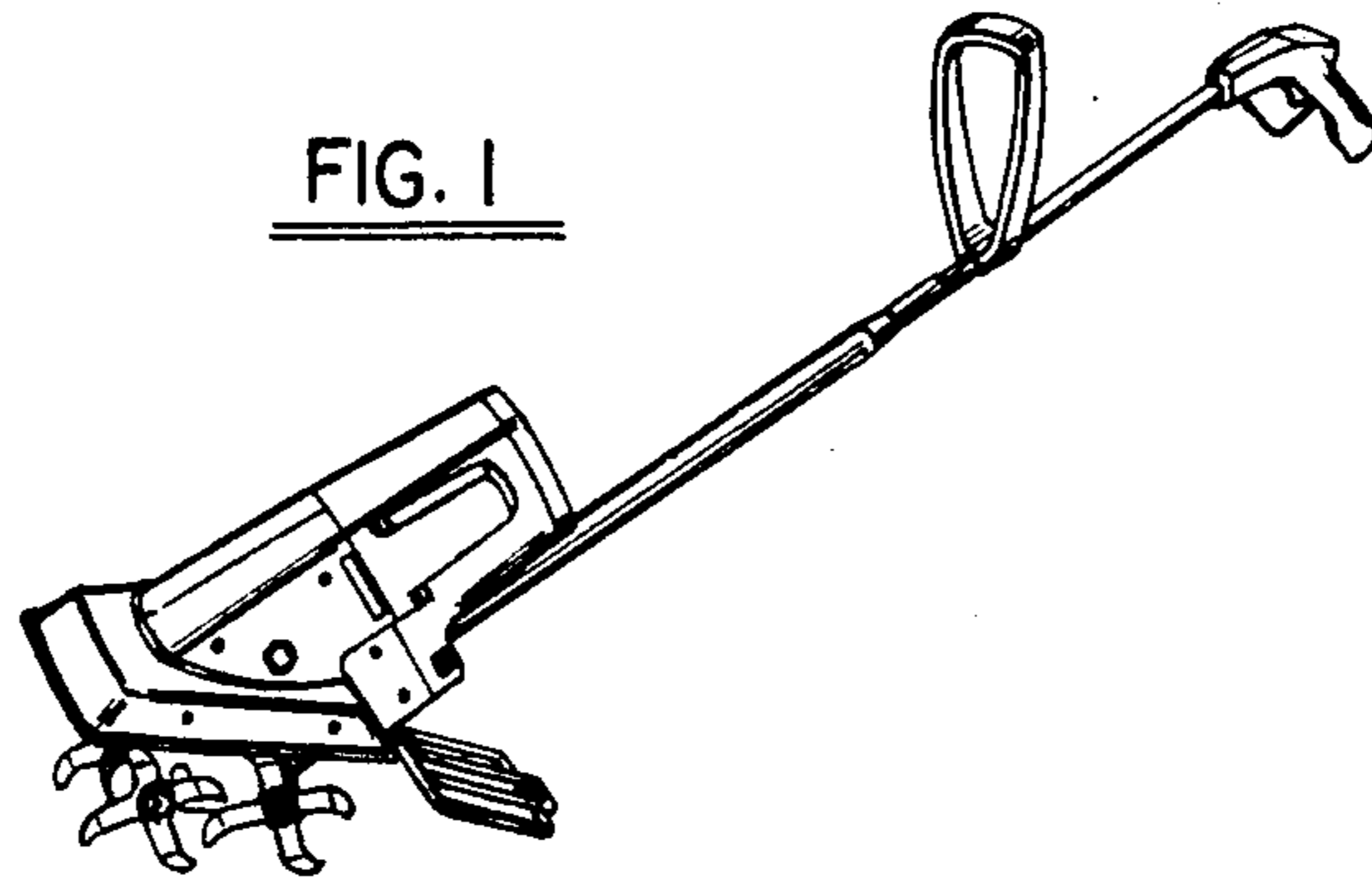


FIG. 3

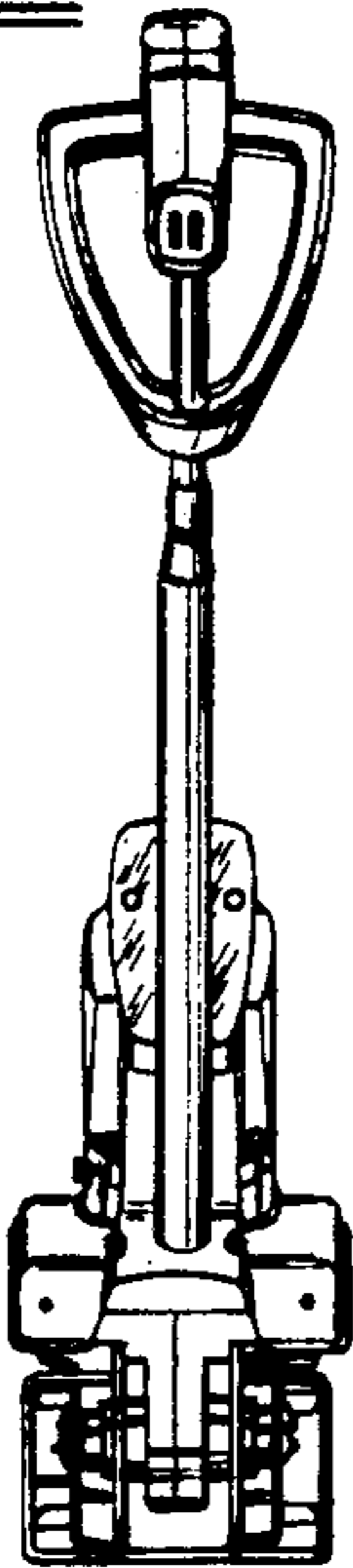


FIG. 2

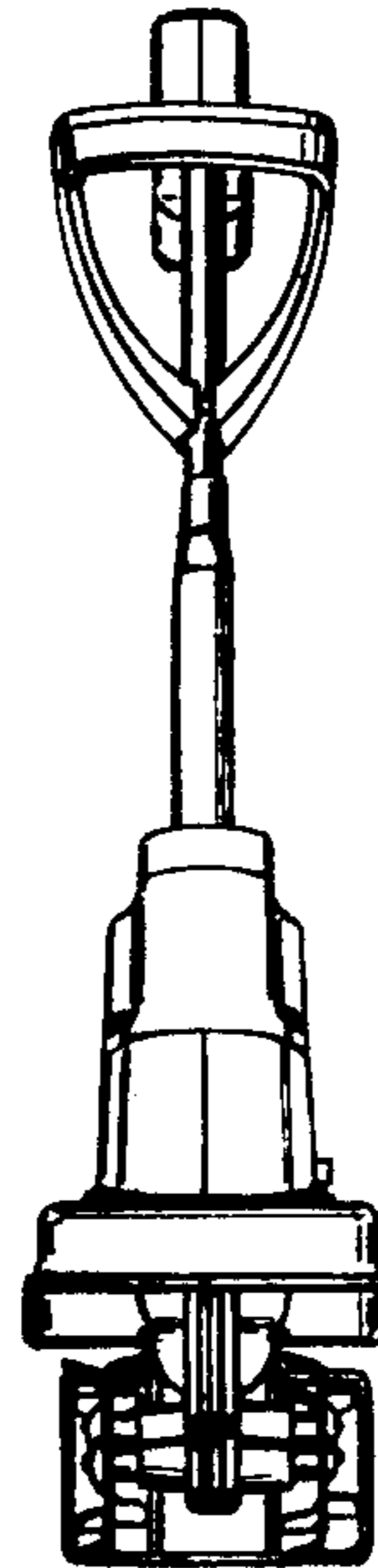


FIG. 4

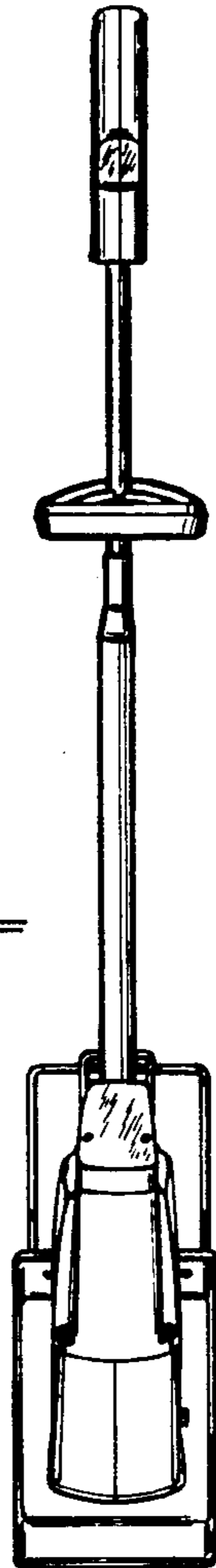


FIG. 5

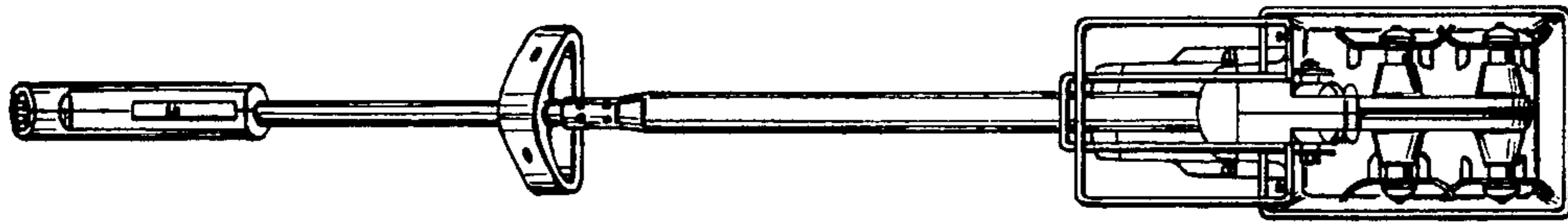


FIG. 6

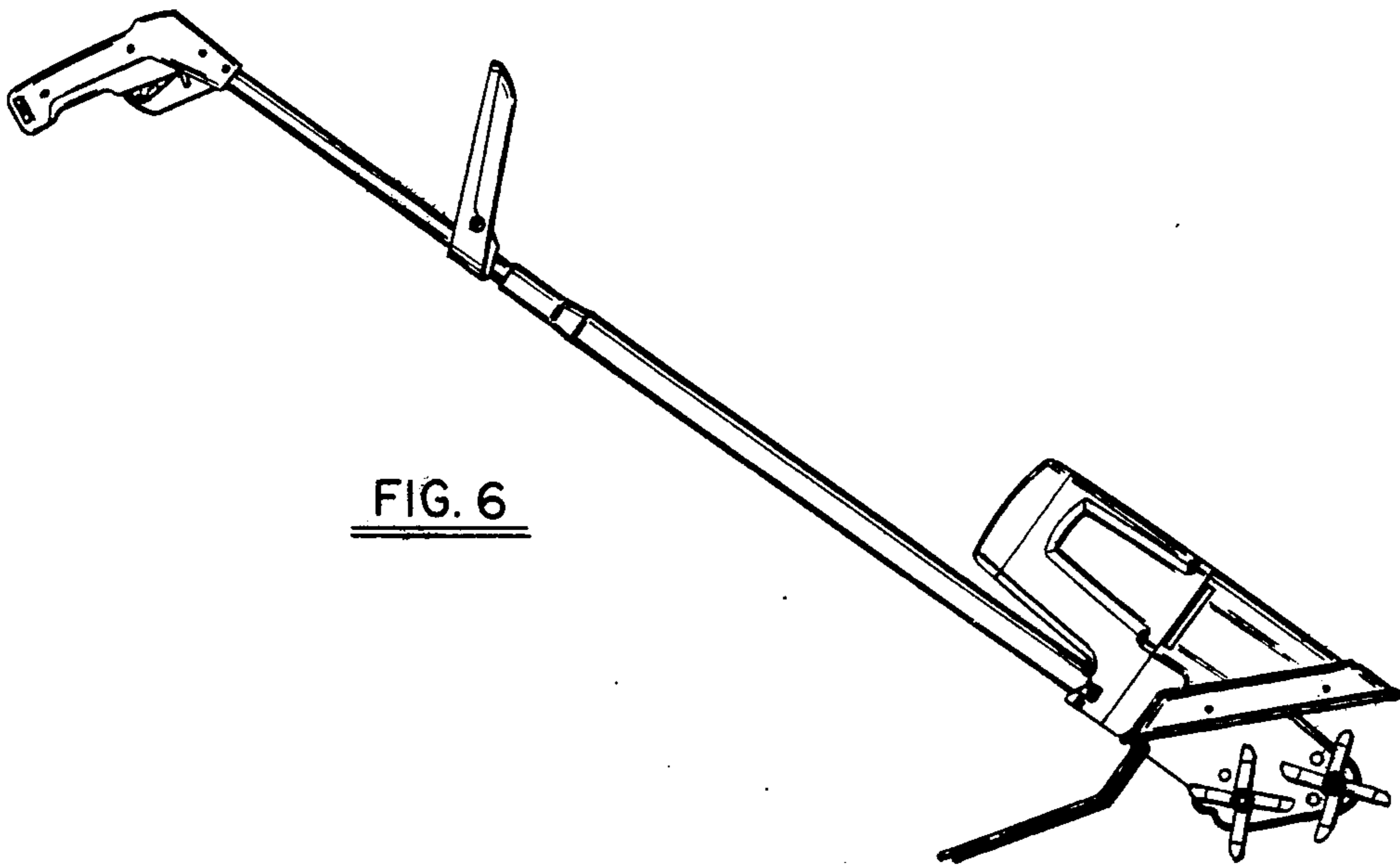


FIG. 7

