

[54] SPINNER FOR BIKE HUB

[75] Inventor: Kenneth N. Finkenbiner, Dallas, Tex.

[73] Assignee: Ken-Neil, Inc., Dallas, Tex.

[**] Term: 14 Years

[21] Appl. No.: 880,847

[22] Filed: Feb. 23, 1978

[51] Int. Cl. D12-11

[52] U.S. Cl. D12/213

[58] Field of Search D12/207, 213; D34/15 W, D34/15 AA, 15 BB; 301/37 R, 37 SA, 105 R, 105 B, 108 R

[56] References Cited

U.S. PATENT DOCUMENTS

| | | | |
|-----------|--------|----------------|----------|
| 1,907,815 | 5/1933 | Hough | D34/15 W |
| 2,949,693 | 8/1960 | McRoskey | D34/15 W |
| 3,597,003 | 8/1971 | Kraus | D12/207 |

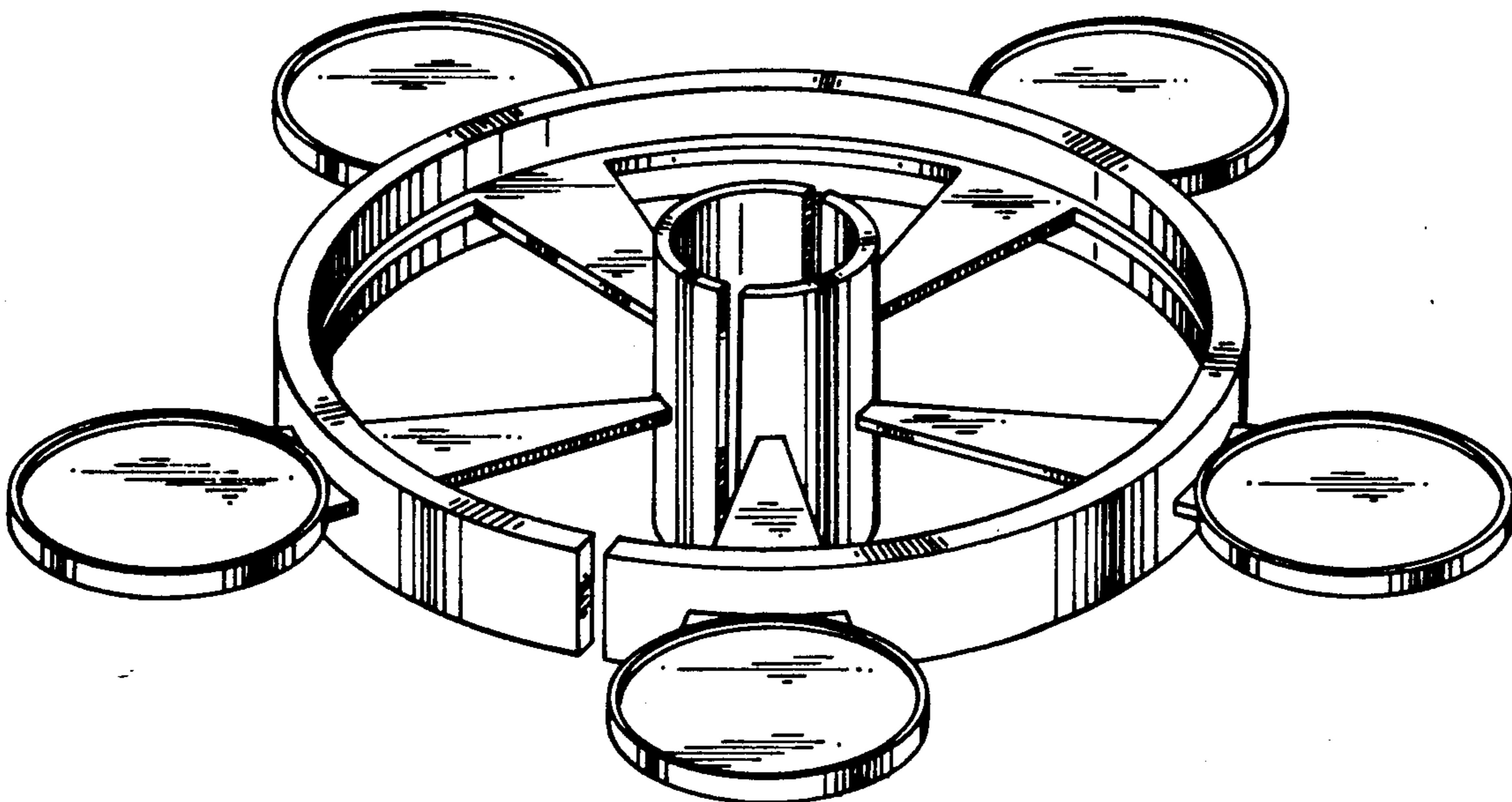
Primary Examiner—James M. Gandy

[57] CLAIM

The ornamental design for a spinner for bike hub, as shown and described.

DESCRIPTION

FIG. 1 is a perspective view of a spinner for bike hub showing my new design;
 FIG. 2 is a side elevational view thereof, the opposite side being a mirror image of the side shown herein;
 FIG. 3 is an end elevational view thereof; and
 FIG. 4 is a perspective view of a spinner for bike hub showing a second embodiment of my new design, the differences being in the enlarged central hub adapter and the reduced length of the spokemembers.



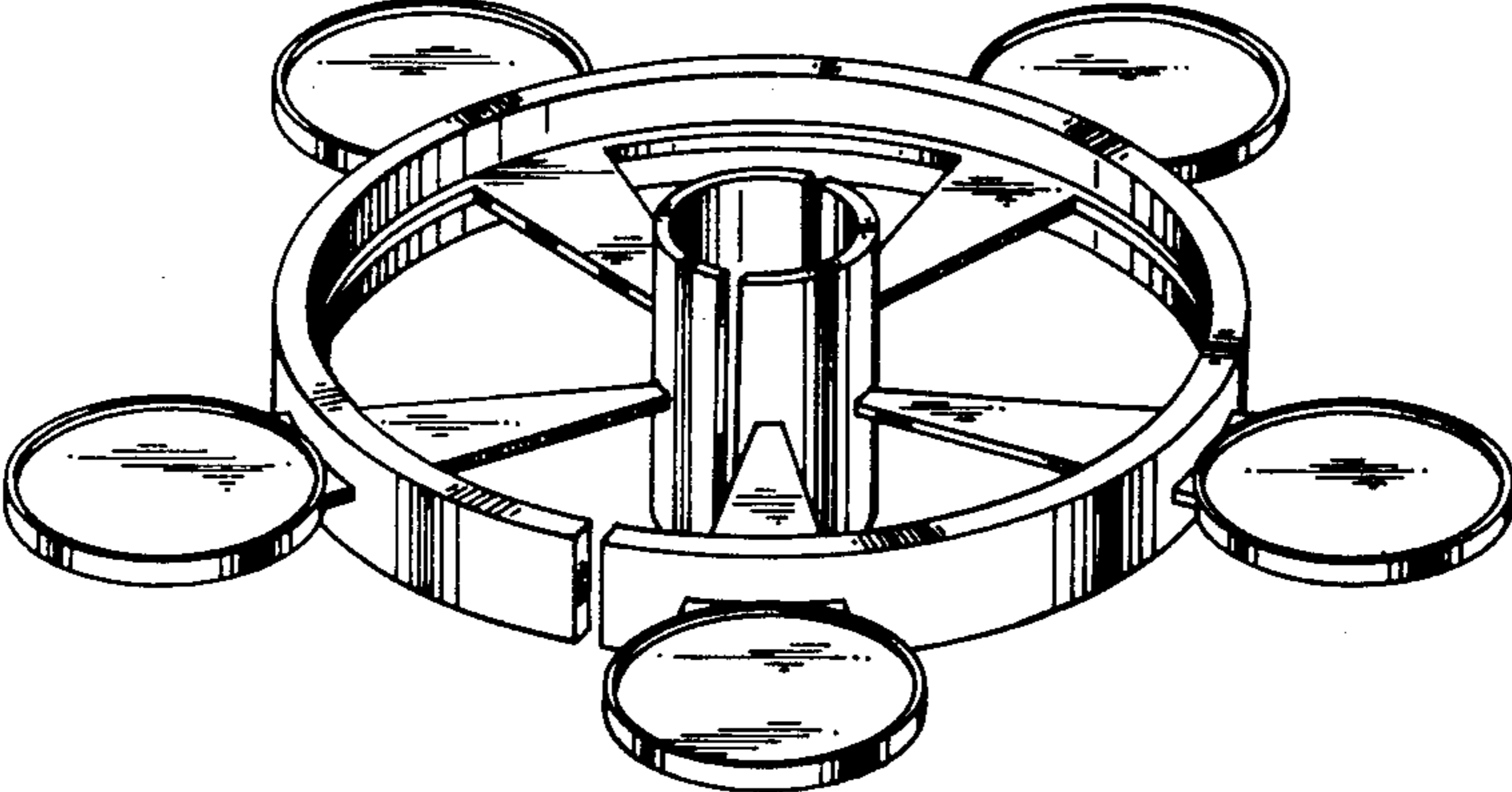


FIG. 1

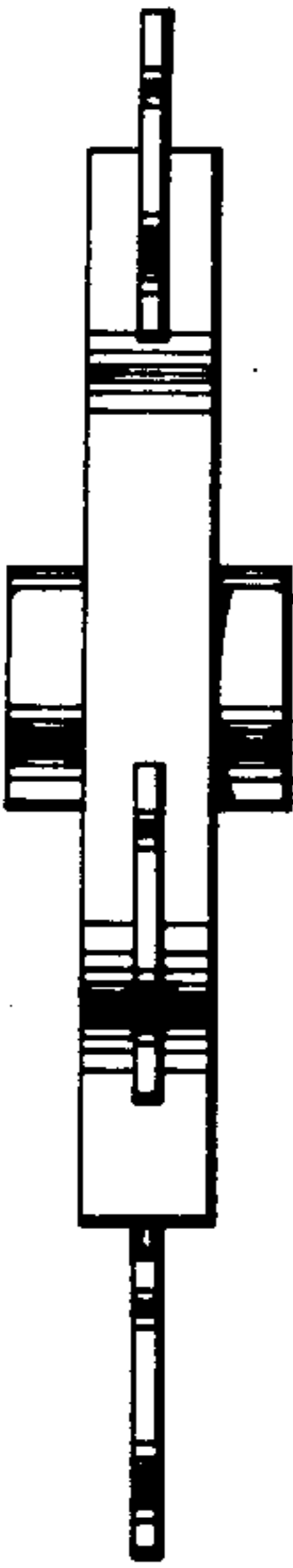


FIG. 3

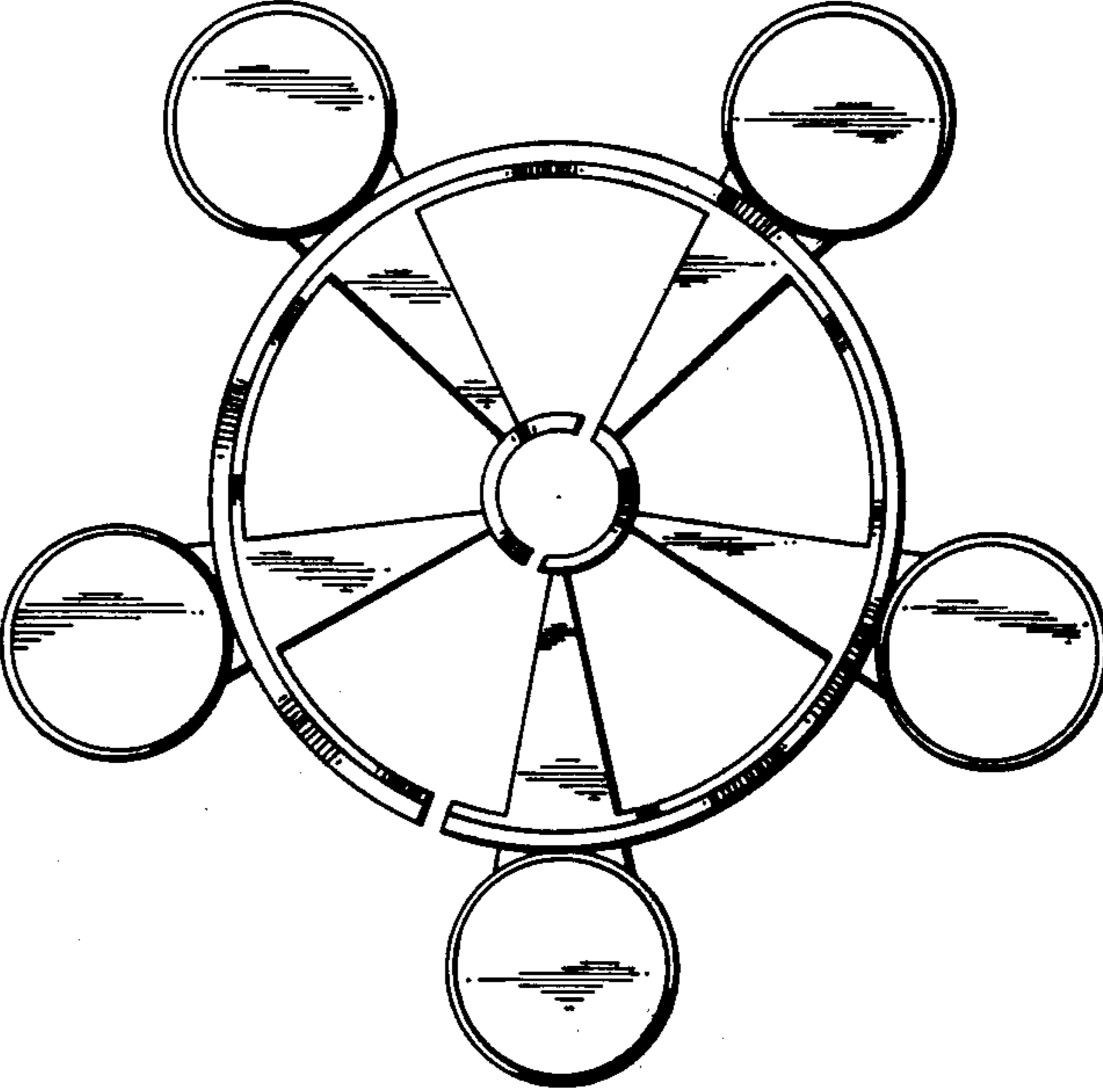


FIG. 2

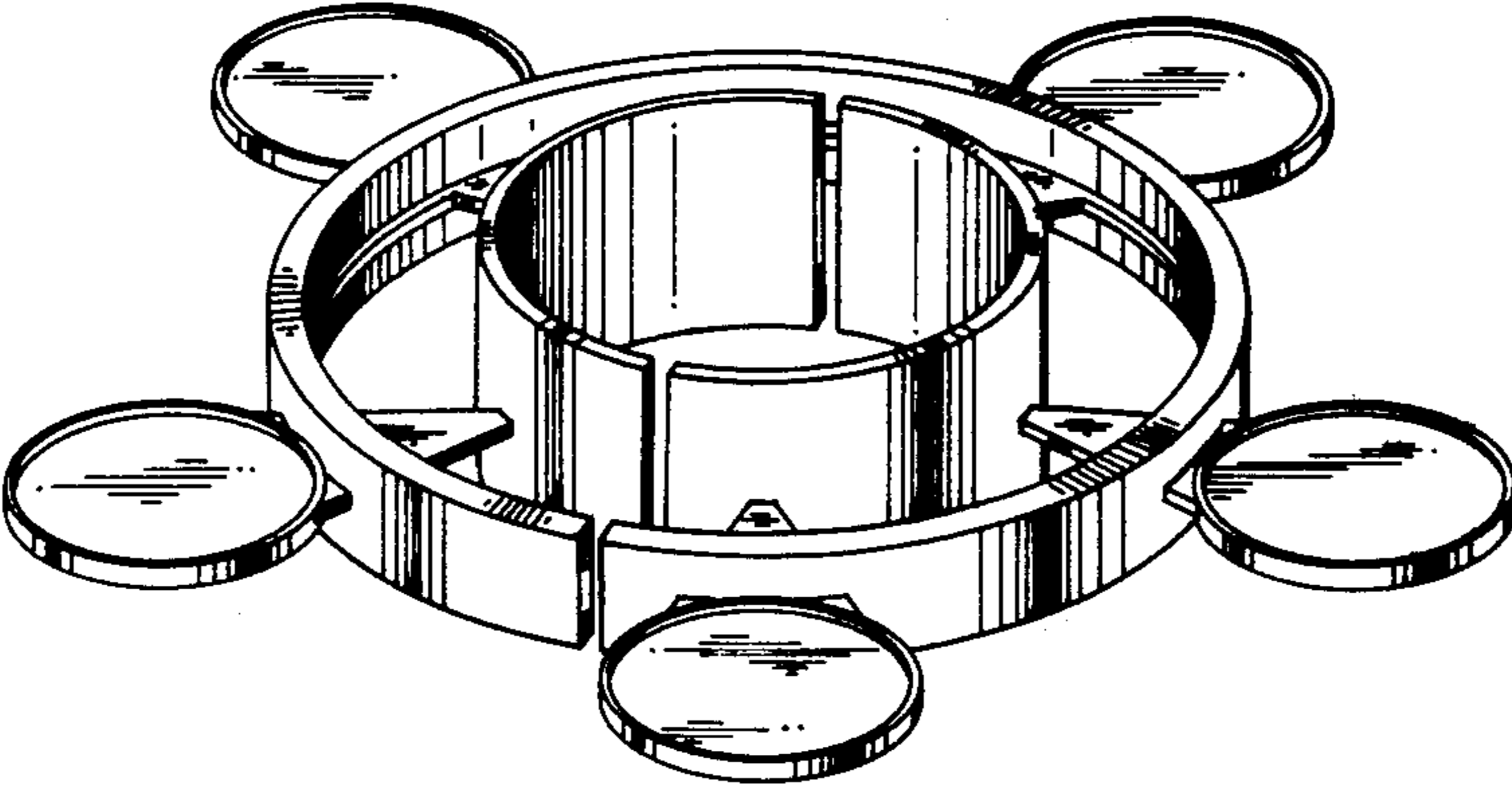


FIG. 4