

[54] FLOWER POT OR THE LIKE

[75] Inventor: Ted Dziewulski, Bartlett, Ill.

[73] Assignee: Phillips Petroleum Company, Bartlesville, Okla.

[*] Notice: The portion of the term of this patent subsequent to Nov. 2, 1990, has been disclaimed.

[**] Term: 14 Years

[21] Appl. No.: 829,750

[22] Filed: Sep. 1, 1977

[51] Int. Cl. D11-02

[52] U.S. Cl. D11/155; D11/156

[58] Field of Search D11/143-146, D11/148, 152-156, 164; D7/4, 11, 13-15, 23, 29; D6/113, 137, 182, 183; 47/66, 67, 69, 71, 72, 80, 83, 85-87, 41 R, 41.11, 41.12, 41 SS, 47

[56] References Cited

U.S. PATENT DOCUMENTS

D. 238,088	12/1975	Grosfillex	D11/155
D. 242,161	11/1976	Dziewulski	47/71
D. 245,408	8/1977	Baumann	D11/155
2,261,326	11/1941	Atkisson et al.	D11/156

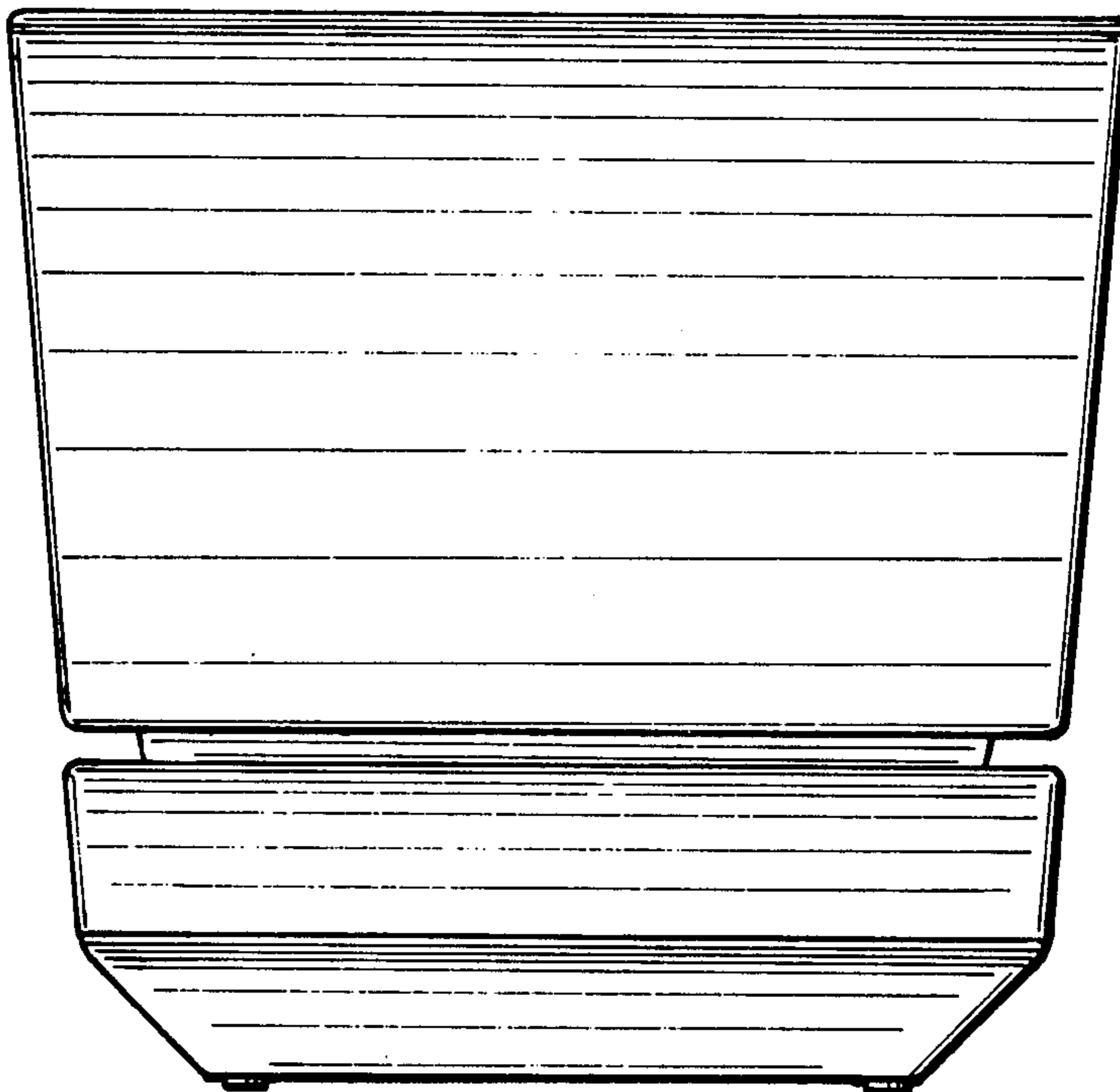
Primary Examiner—A. Hugo Word
Assistant Examiner—B. J. Bullock
Attorney, Agent, or Firm—Donald J. Quigg

[57] CLAIM

The ornamental design for a flower pot or the like, as shown and described.

DESCRIPTION

FIG. 1 is a side elevational view of a flower pot or the like, showing one embodiment of my new design, all sides being identical;
 FIG. 2 is a top plan view of FIG. 1;
 FIG. 3 is a bottom plan view of FIG. 1;
 FIG. 4 is a sectional view taken along line 4A—4A of FIG. 2; a sectional view taken along line 4B—4B in FIG. 2 being the same as the sectional view shown;
 FIG. 5 is a side elevational view of a flower pot or the like, showing a second embodiment of my new design, the opposite side being identical;
 FIG. 6 is an end elevational view of FIG. 5, the opposite end being identical;
 FIG. 7 is a top plan view of FIG. 5;
 FIG. 8 is a bottom plan view of FIG. 5;
 FIG. 9 is a sectional view taken along line 9—9 of FIG. 7; and
 FIG. 10 is a sectional view taken along line 10—10 of FIG. 7.



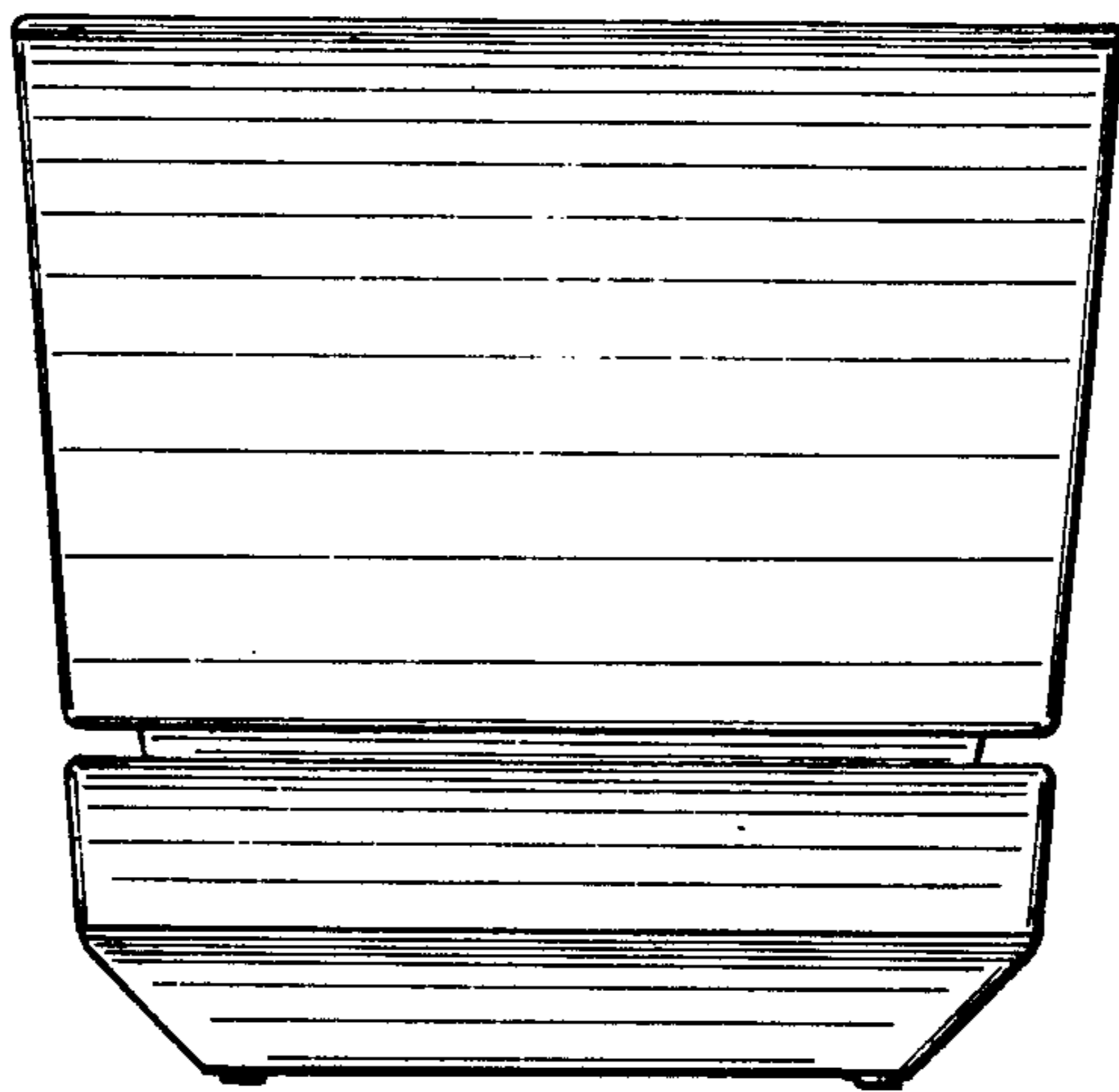
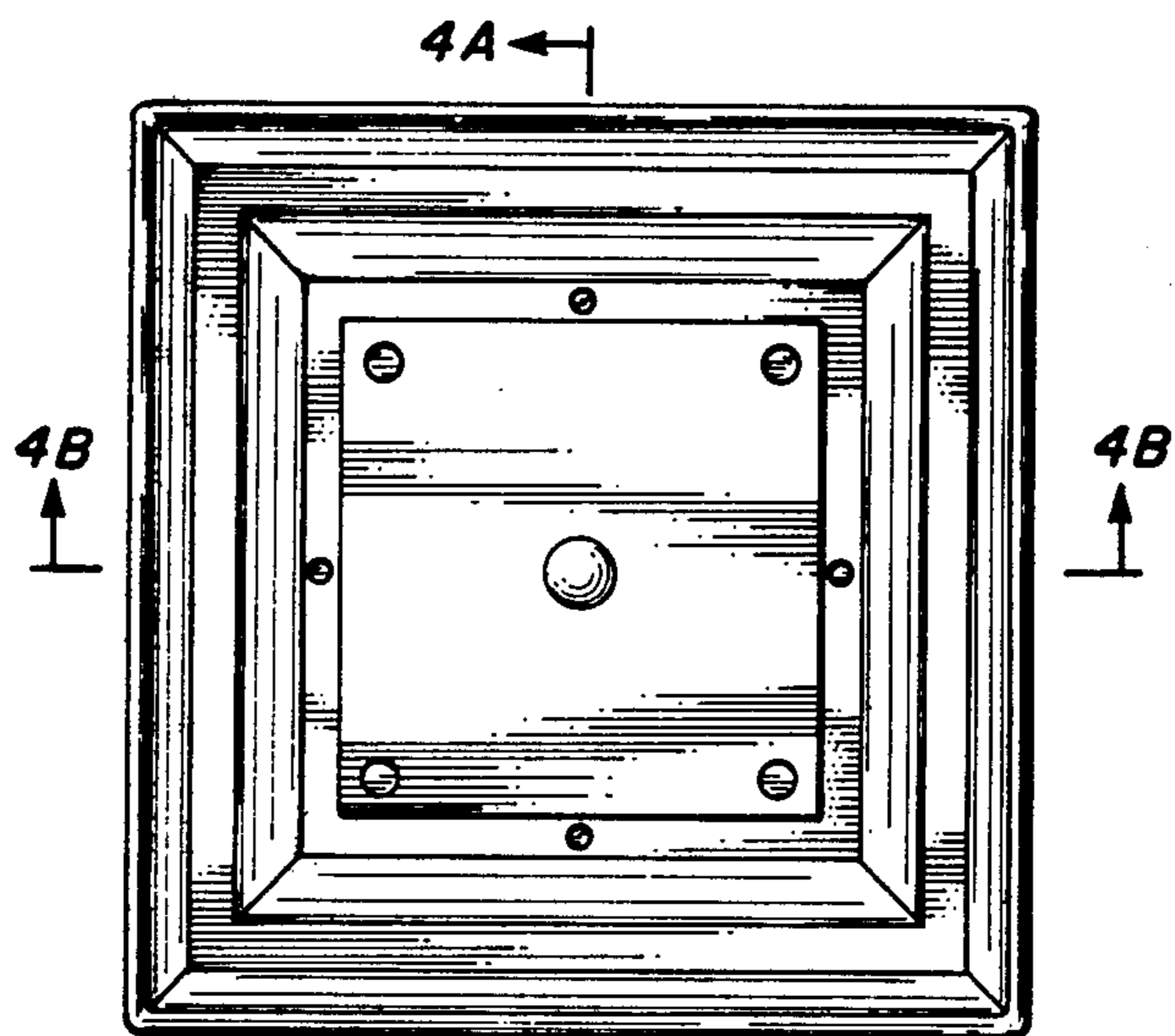


FIG. 1



4A ←
FIG. 2

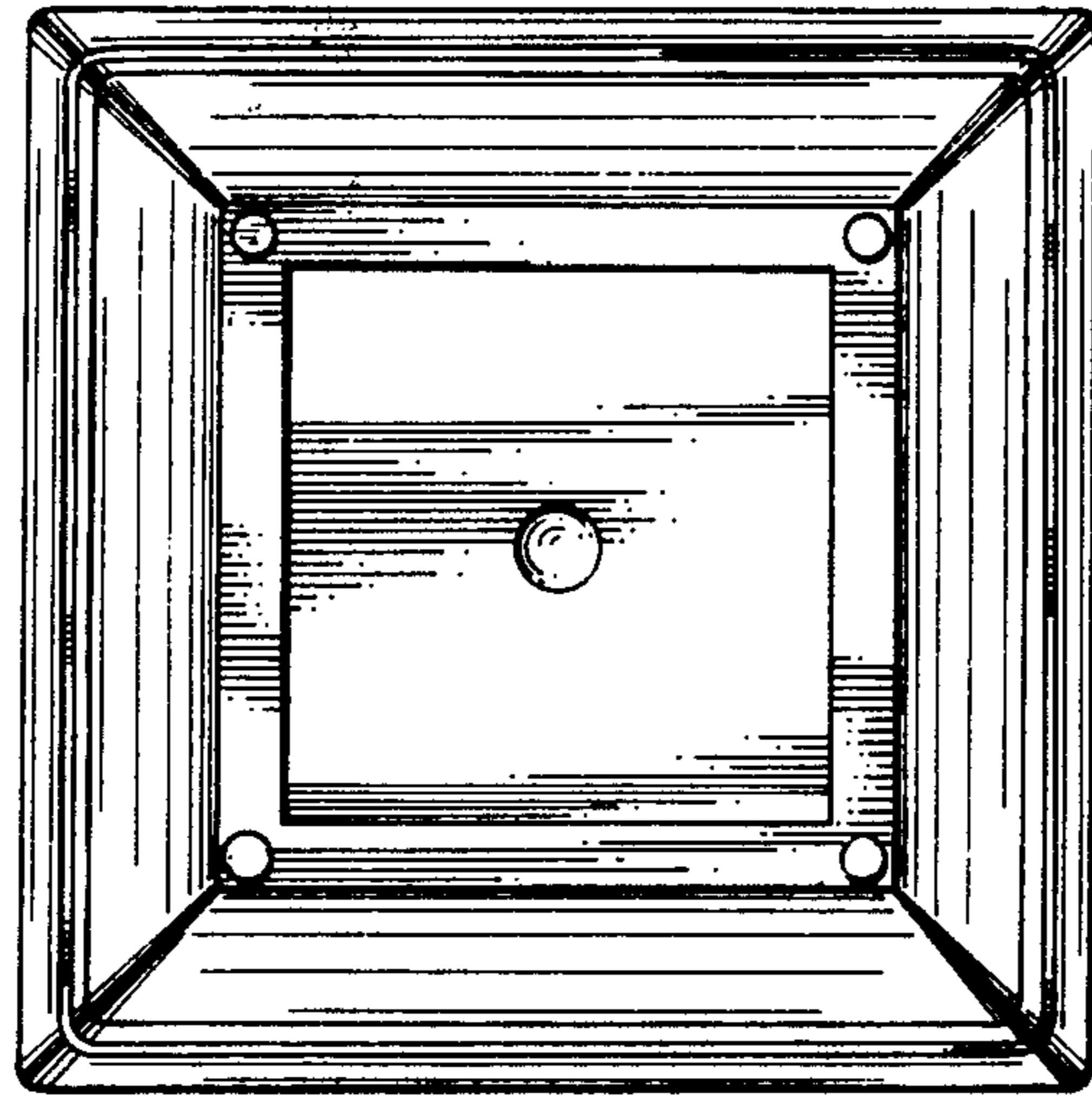


FIG. 3

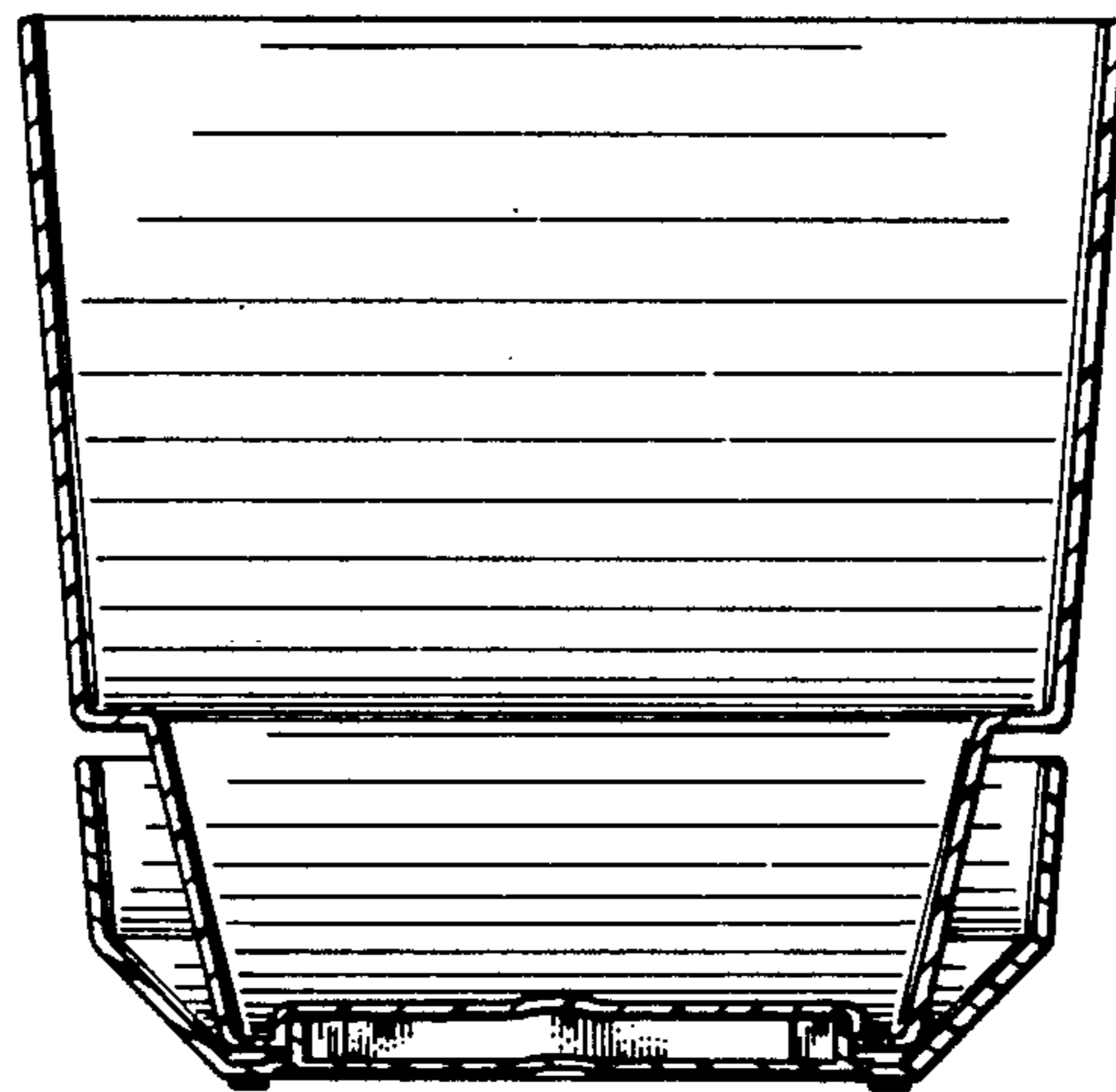


FIG. 4

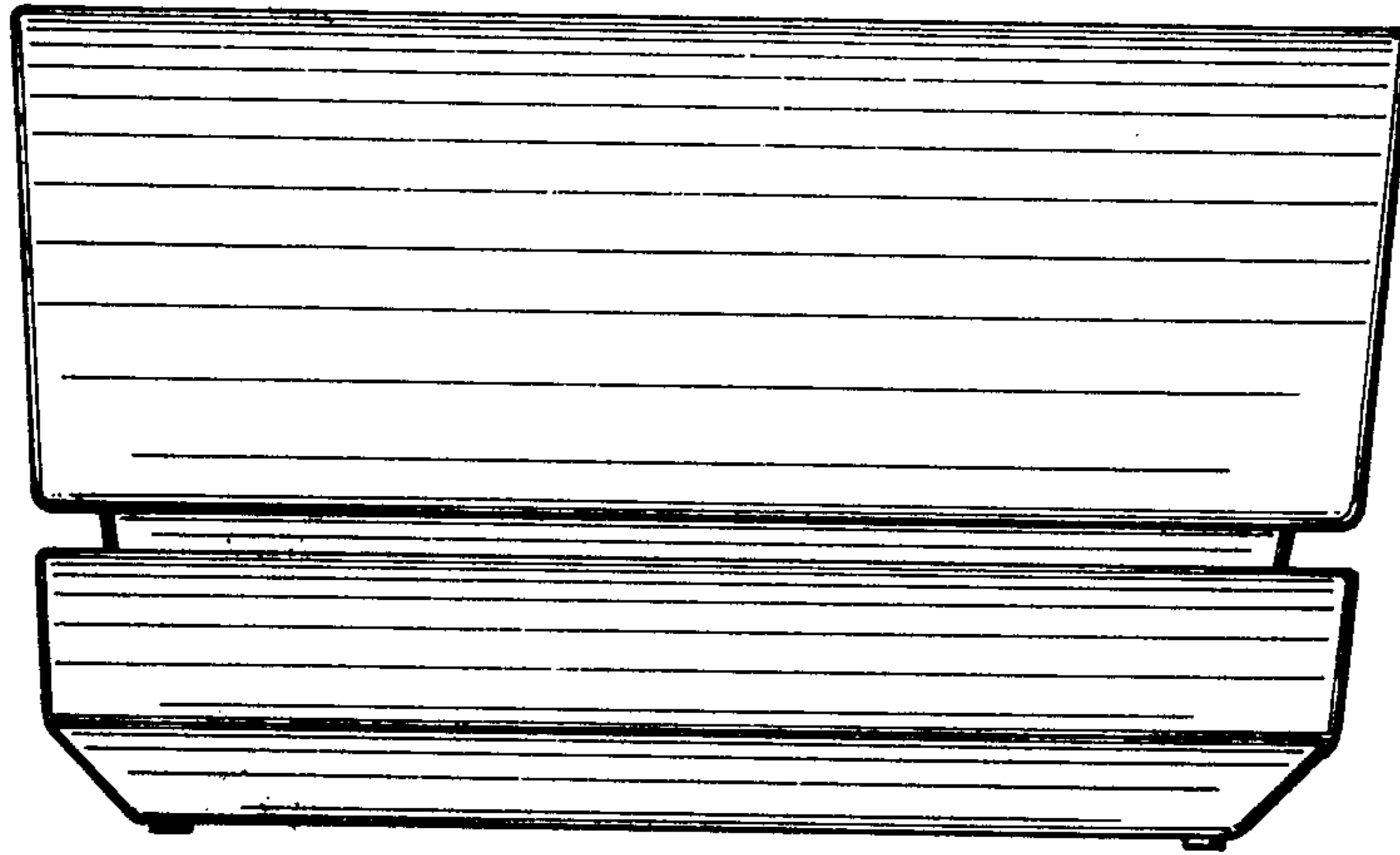


FIG. 5

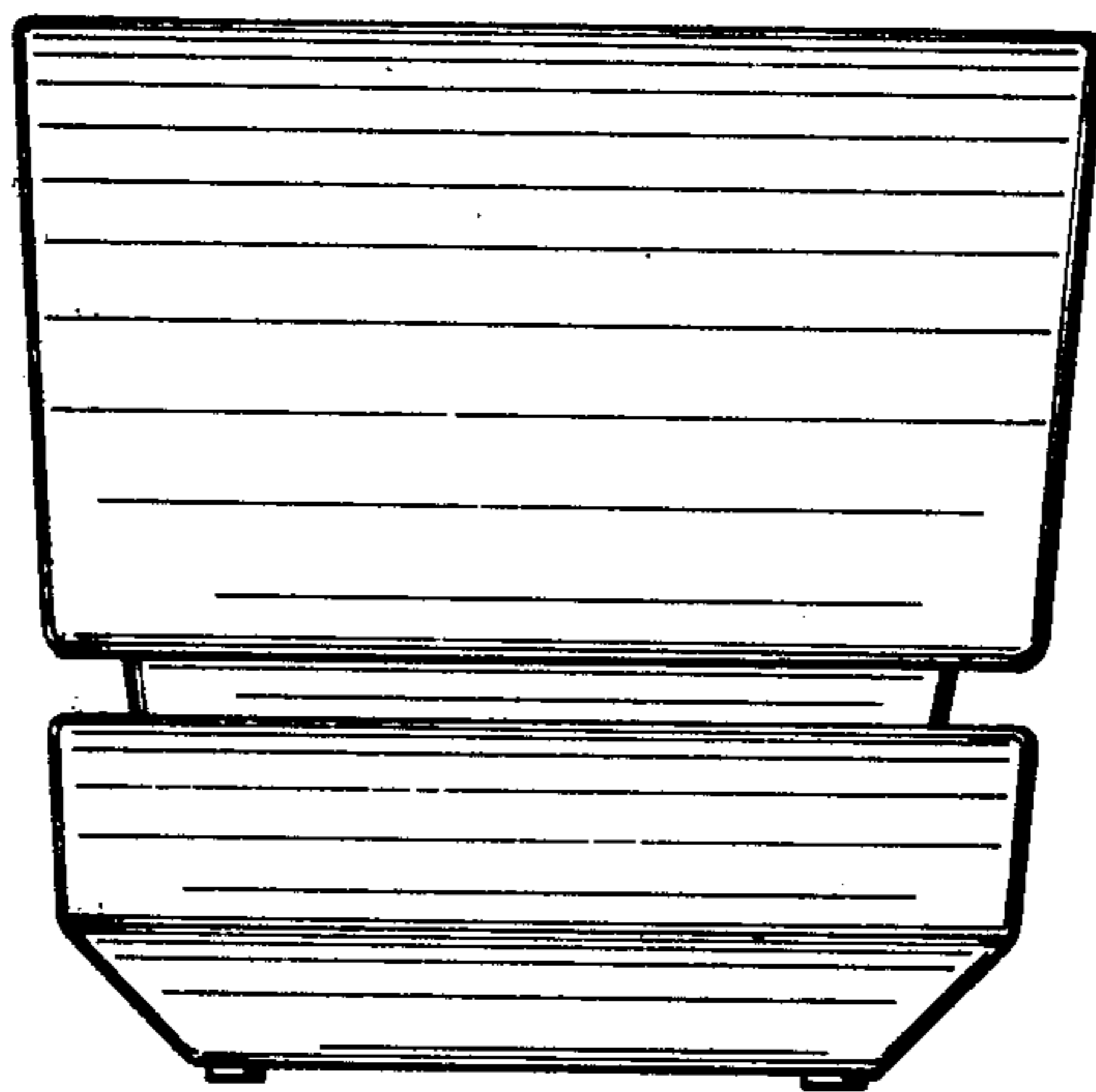
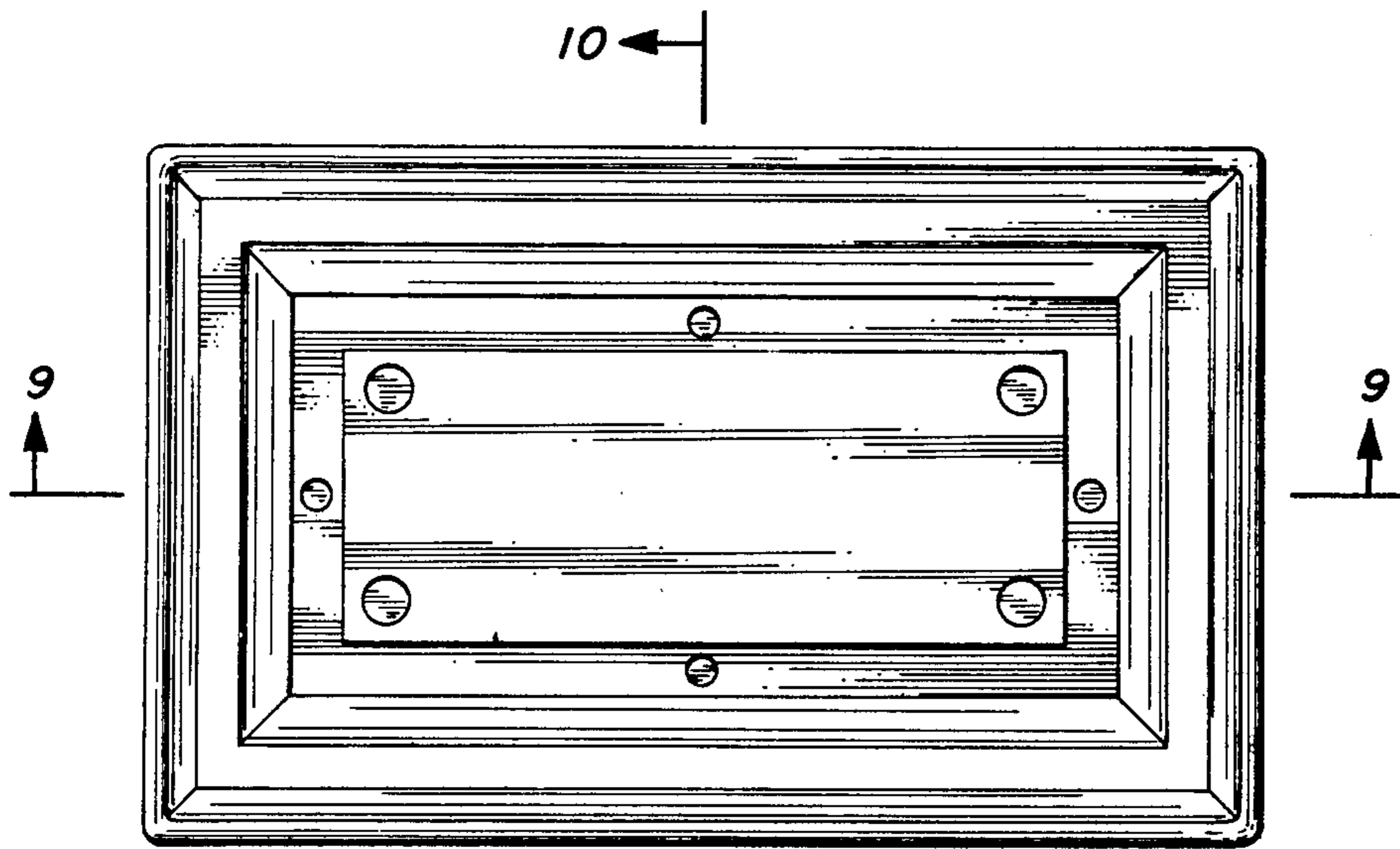


FIG. 6



10 ←
FIG. 7

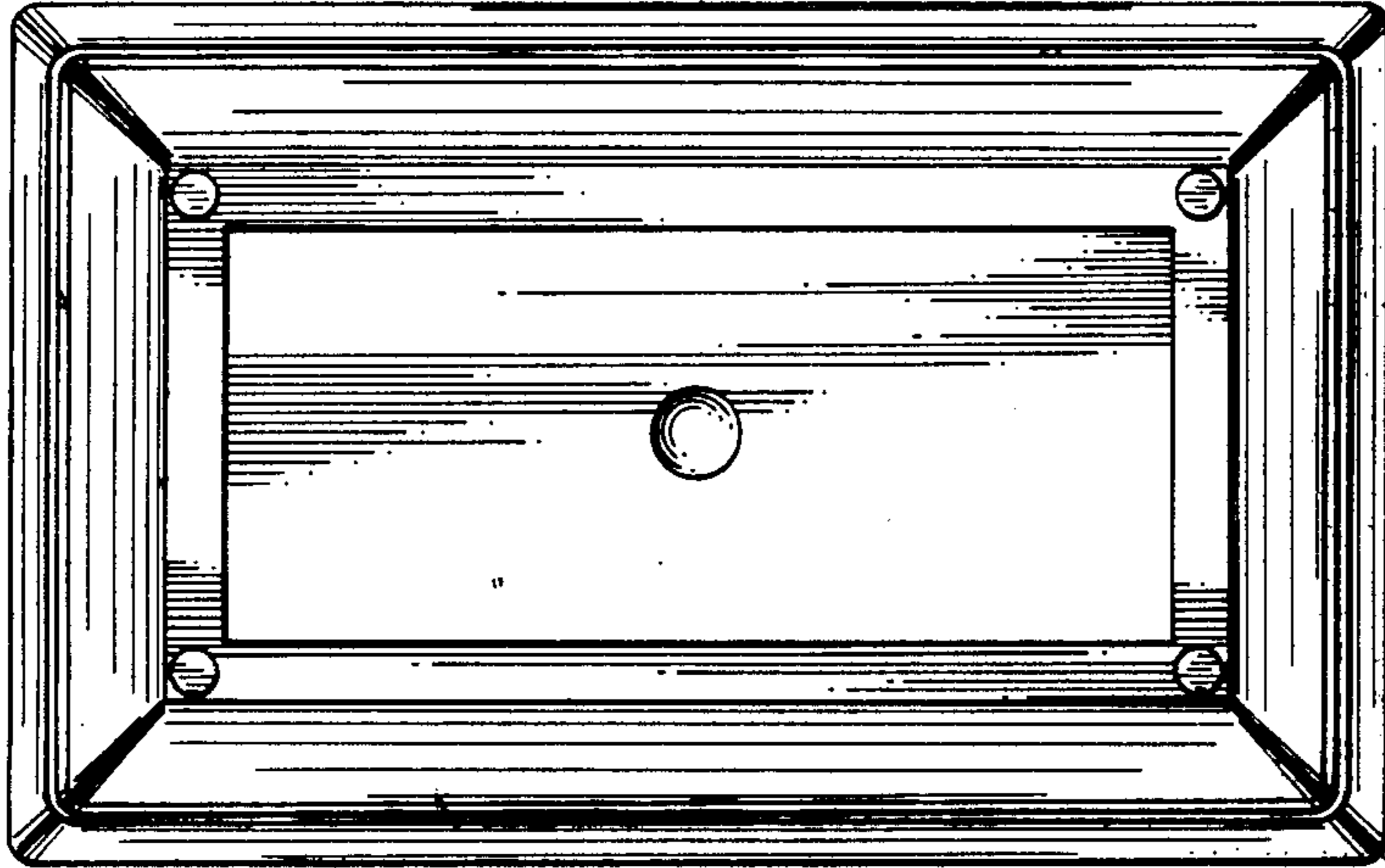


FIG. 8

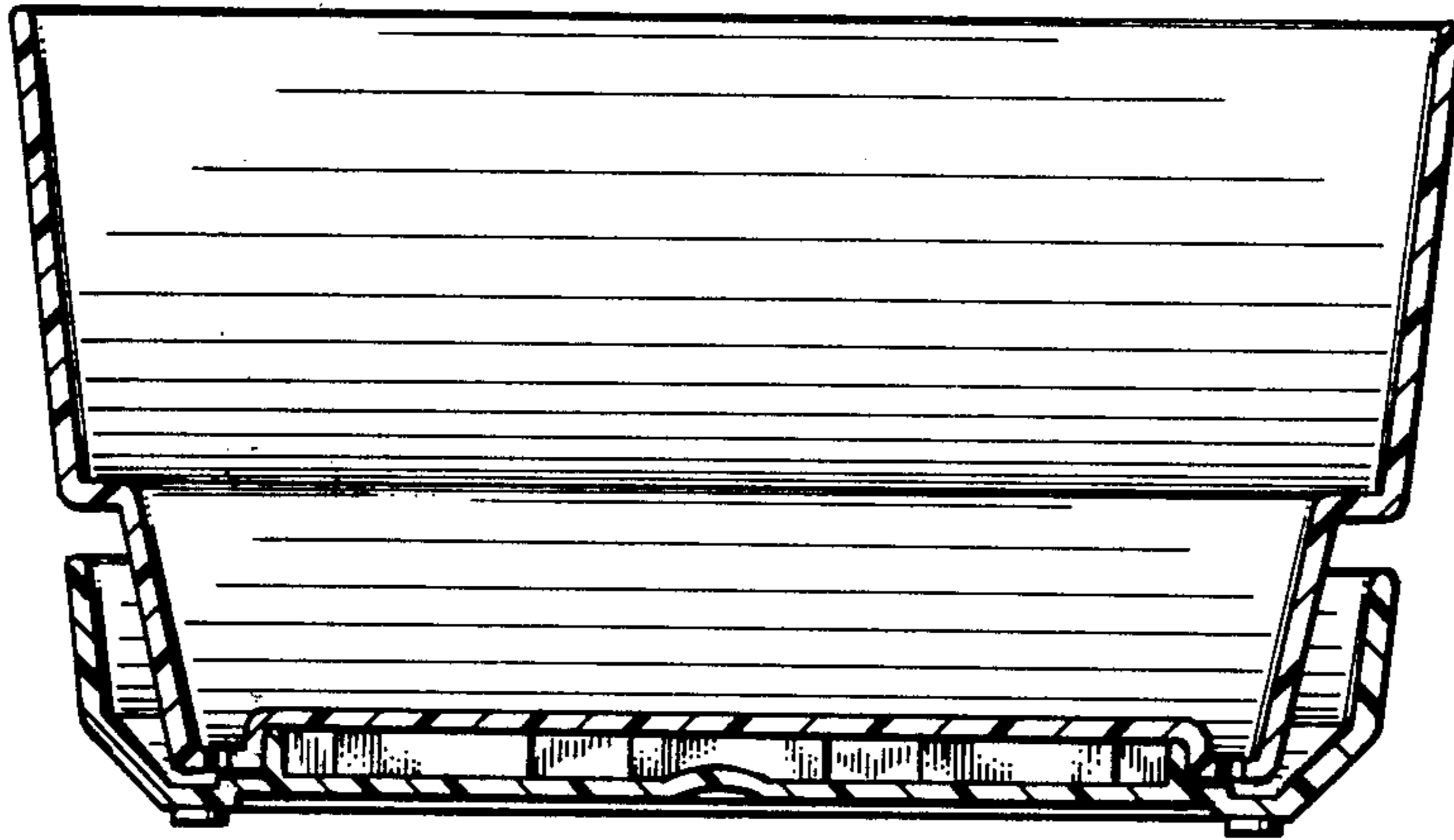


FIG. 9

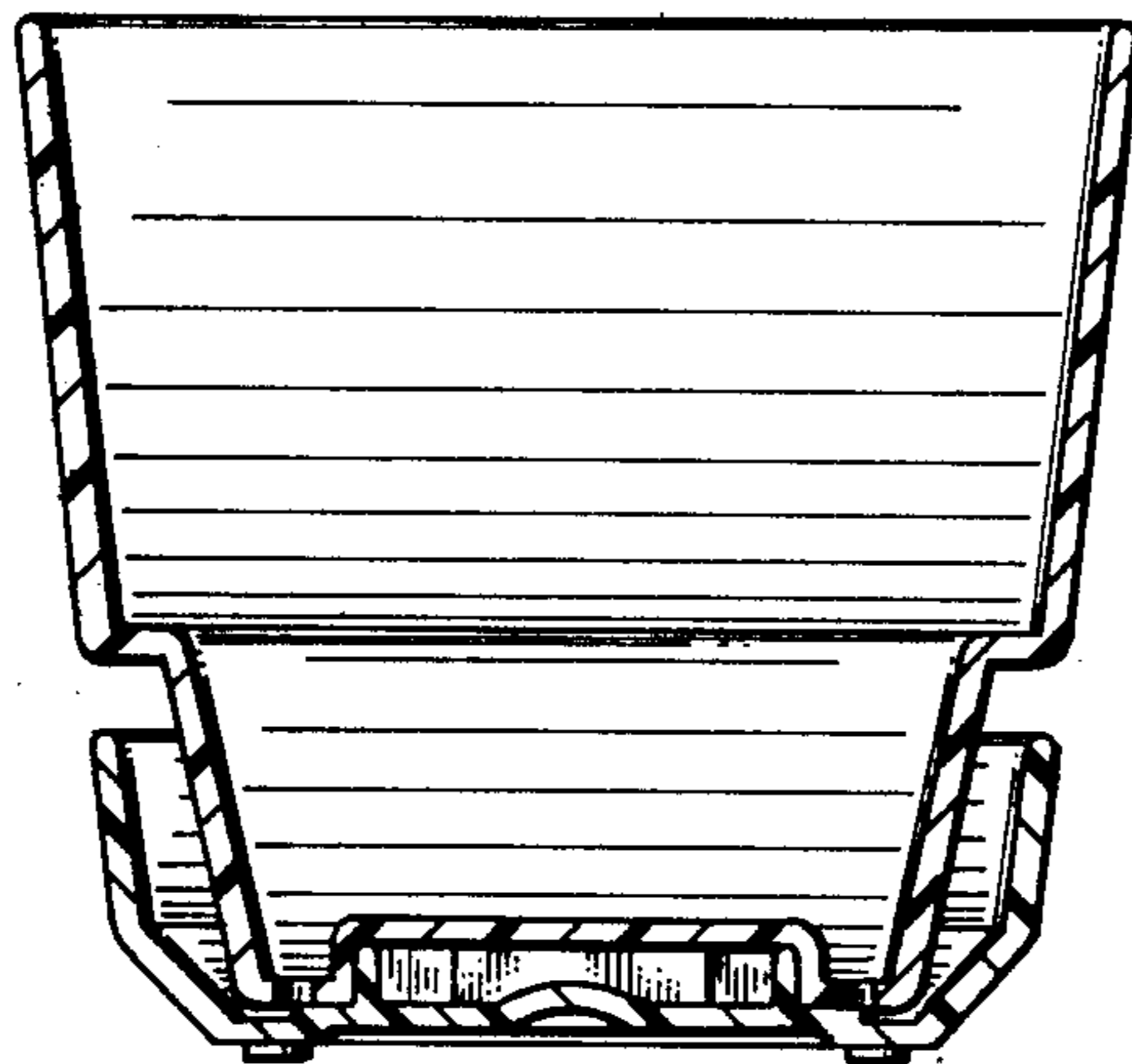


FIG. 10