

[54] EAR-PIERCING EARRING

[75] Inventor: Samuel Mann, Englewood, N.J.

[73] Assignee: Inverness Corporation, Englewood, N.J.

[**] Term: 14 Years

[21] Appl. No.: 944,468

[22] Filed: Sep. 21, 1978

Related U.S. Application Data

[62] Division of Ser. No. 855,599, Nov. 28, 1977.

[51] Int. Cl. D11-01

[52] U.S. Cl. D11/76; D11/96

[58] Field of Search 128/329 R, 330; D2/424, D2/405, 414, 419, 420, 430, 431; D8/391, 393, 388; 63/14, 1 R, 2, 12, 20, 1 A; D73/1 R; 428/3; D34/15 FF, 15 GG, 15 M; D11/40, 44, 47, 48, 75, 76, 79-81, 96, 99; D99/27

[56] References Cited

U.S. PATENT DOCUMENTS

3,187,751 6/1965 Coren et al. 63/12 X
4,008,526 2/1977 Swett et al. D34/15 FF

OTHER PUBLICATIONS

Jewelers' Circular-Keystone 1976 Directory, 6/21/76, p. 188-Cross "Check-A-Dot" Earring at center.
Symbol Sourcebook by Dreyfuss ©1972, p. 165-"Focus" Knob at bottom left center.

Primary Examiner—Louis S. Zarfaz
Attorney, Agent, or Firm—Harold I. Kapan

[57] CLAIM

The ornamental design for the ear-piercing earring, as shown.

DESCRIPTION

FIG. 1 is a perspective view of an earpiercing earring showing my new design;
FIG. 2 is a rear elevational view thereof;
FIG. 3 is a left side elevational view thereof; and
FIG. 4 is a front elevational view thereof.

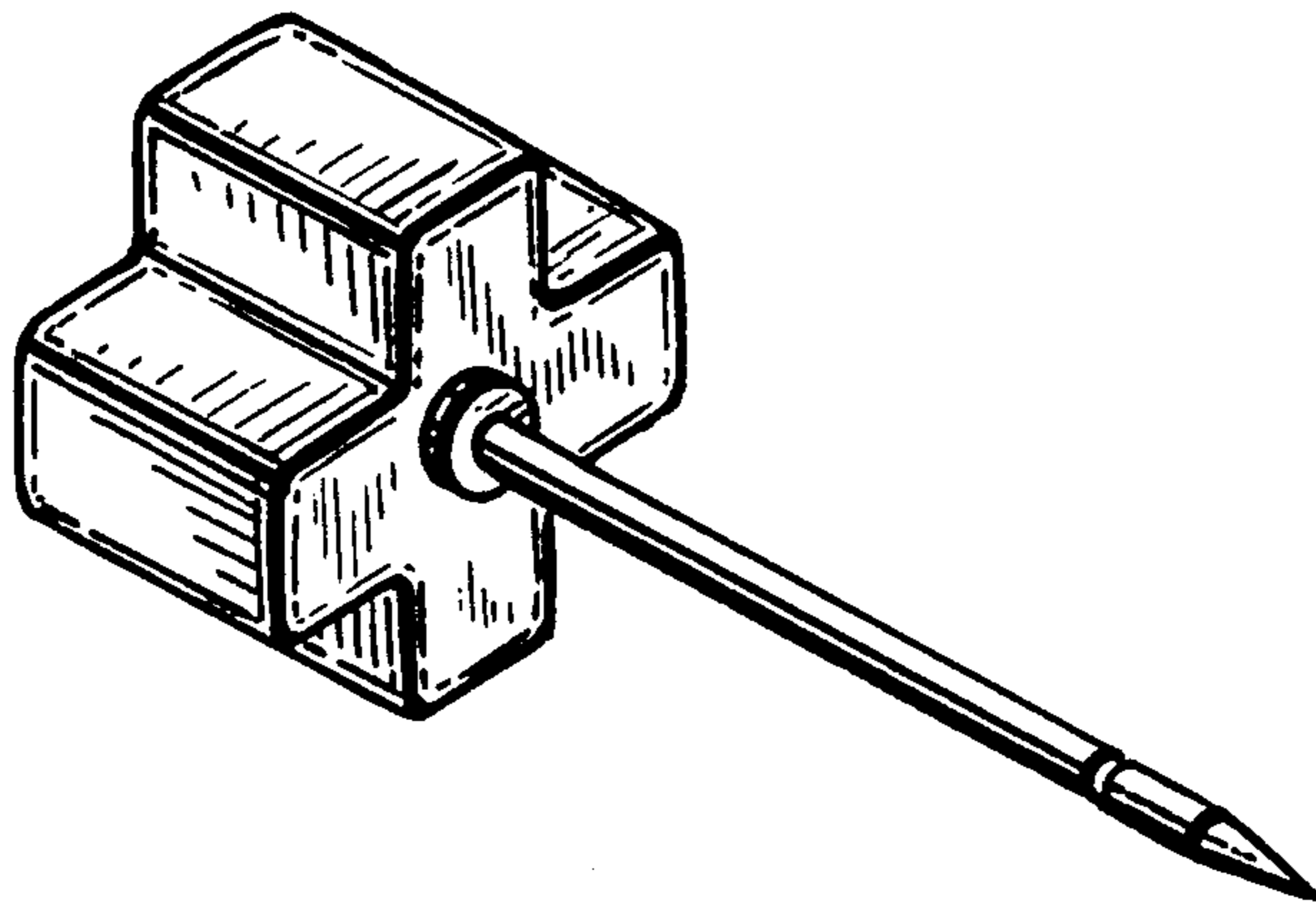


FIG. 1

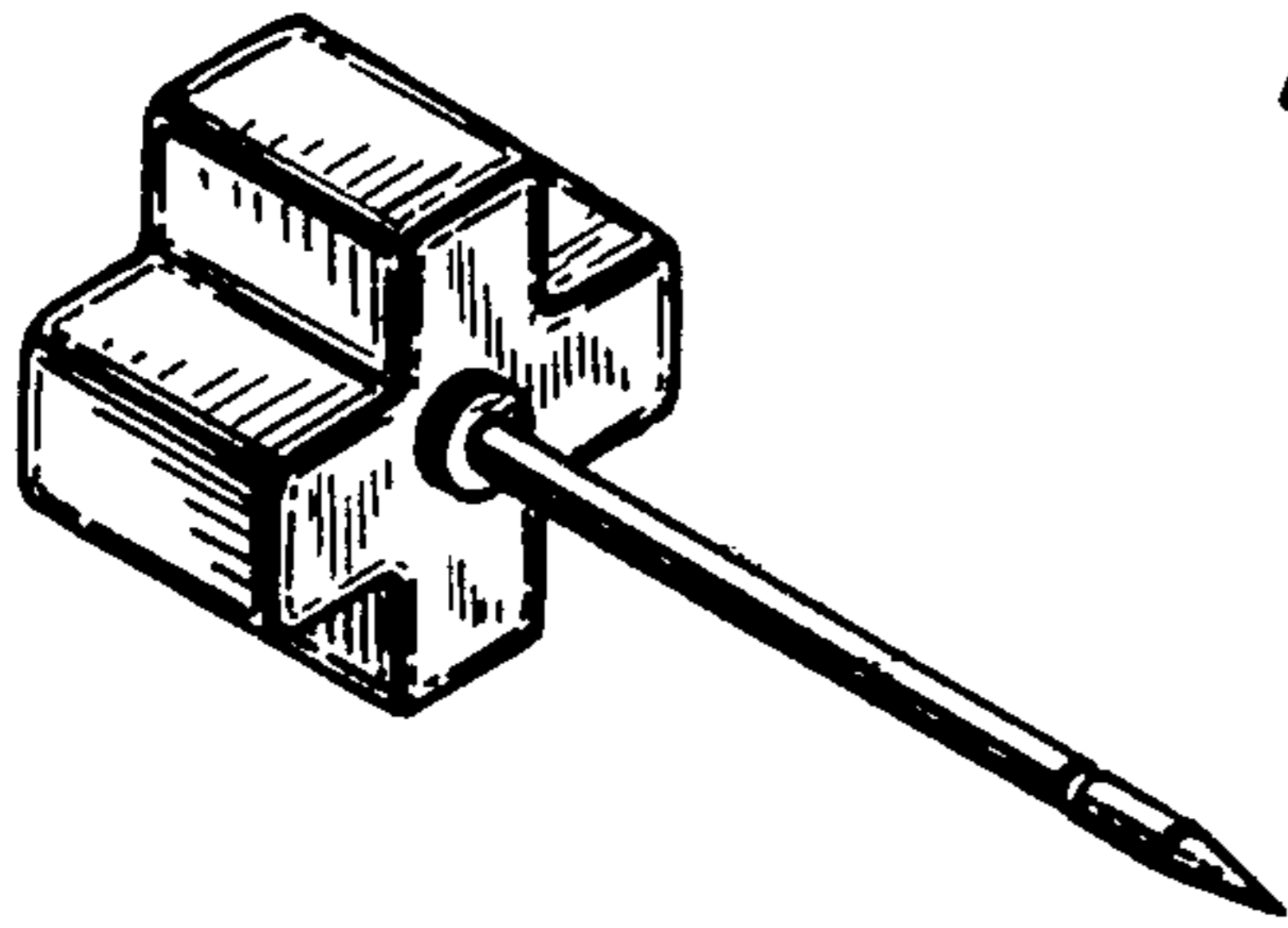


FIG. 2

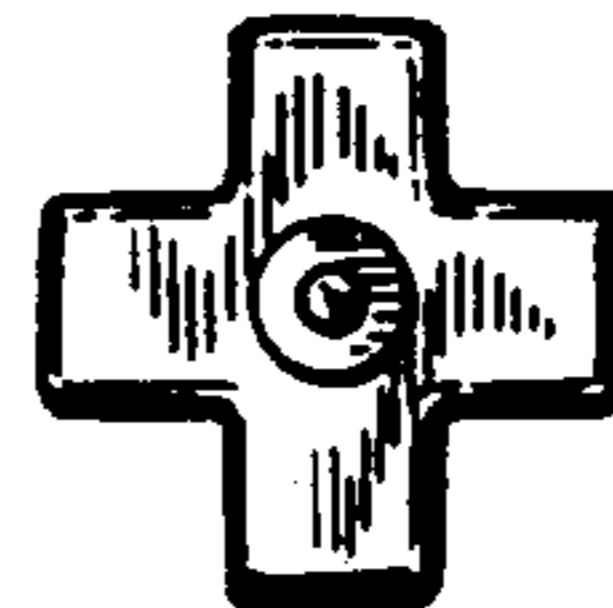


FIG. 3

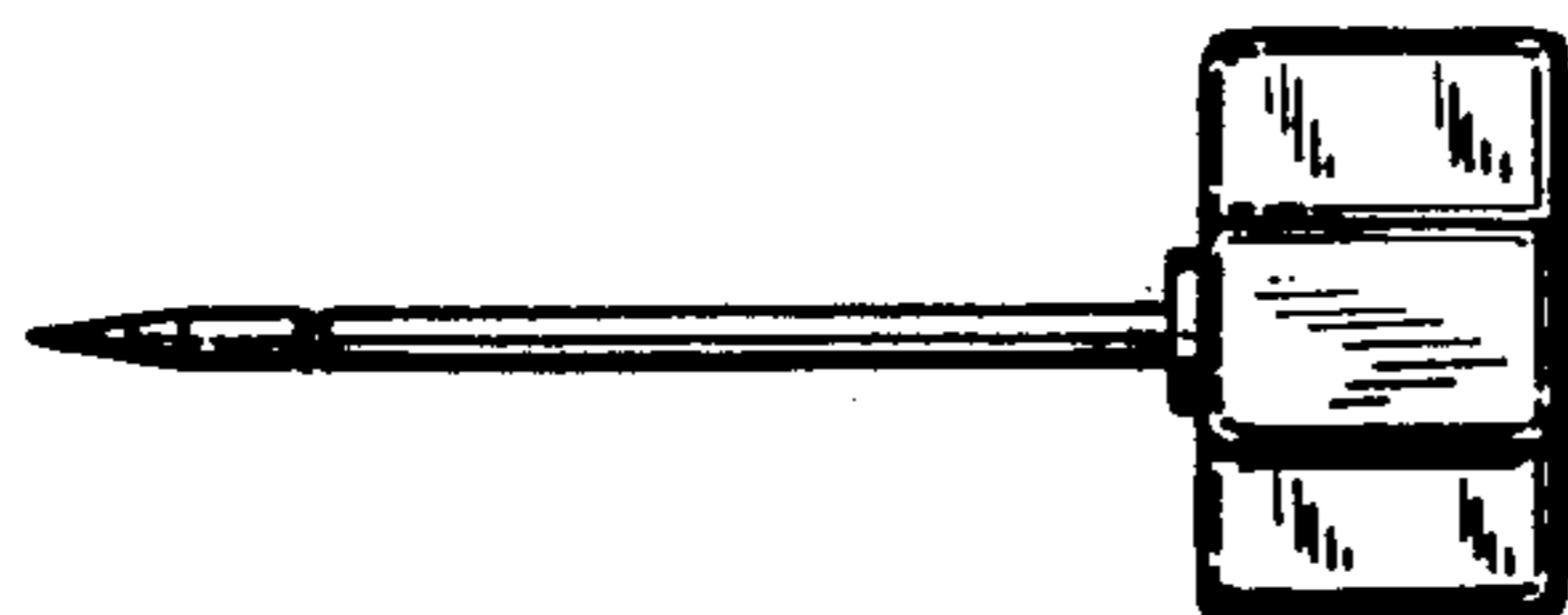


FIG. 4

