

[54] COMBINED SMOKE AND FIRE ALARM OR THE LIKE

[75] Inventor: Spencer L. Mackay, Canoga Park, Calif.

[73] Assignee: Teledyne Industries, Inc., Ft. Collins, Colo.

[\*\*] Term: 14 Years

[21] Appl. No.: 834,372

[22] Filed: Sep. 19, 1977

[51] Int. Cl. .... D10-05

[52] U.S. Cl. .... D10/106

[58] Field of Search ..... D10/104, 106, 121; D13/40, 41; 340/577, 579, 584, 586, 593, 594, 628, 629, 632

[56] References Cited

U.S. PATENT DOCUMENTS

D. 204,526	4/1966	Storm .....	D10/106
D. 241,824	10/1976	Mackay .....	D10/106
D. 242,778	12/1976	Goble et al. ....	D10/106

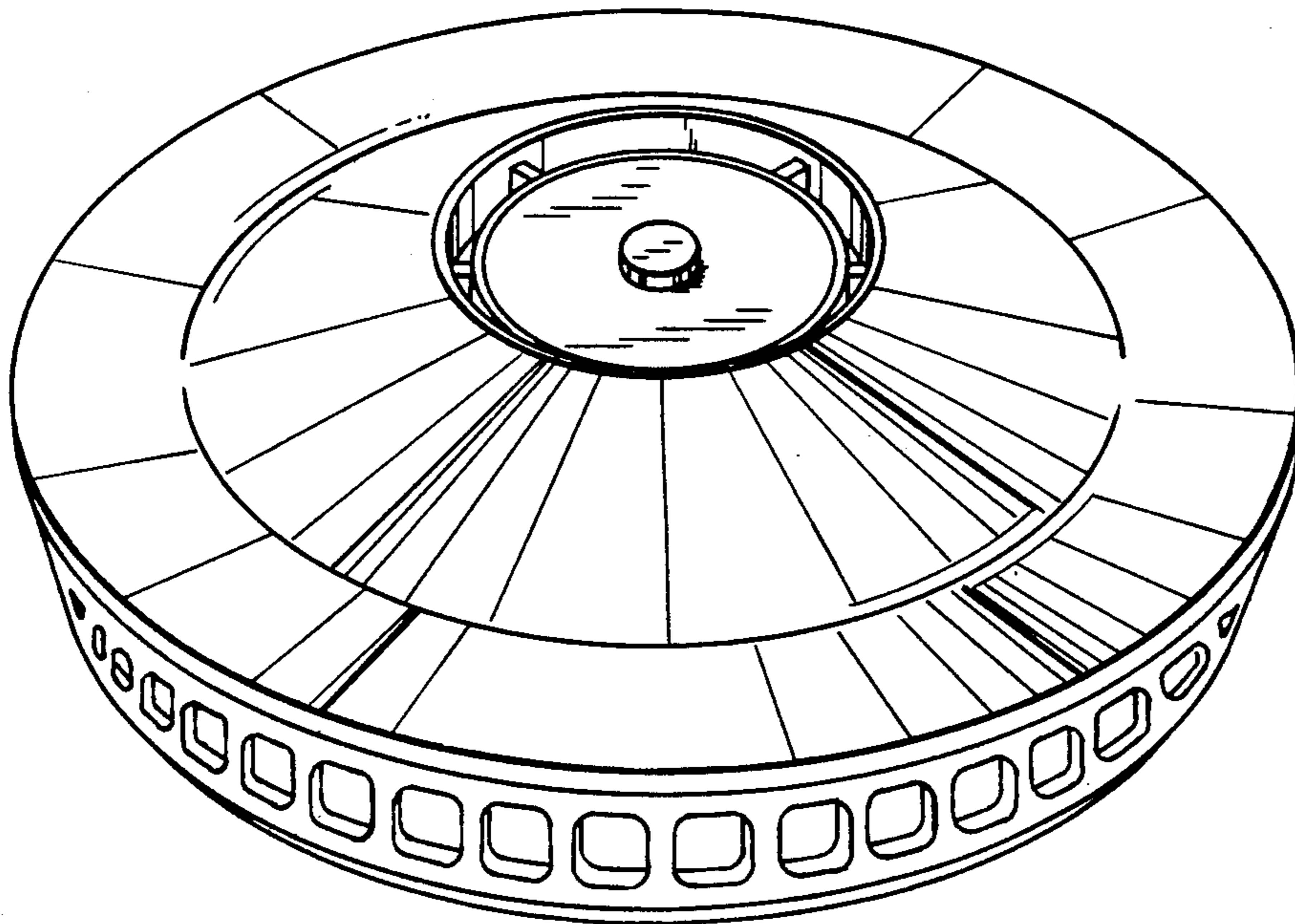
Primary Examiner—Susan J. Lucas  
Attorney, Agent, or Firm—Hugh H. Drake

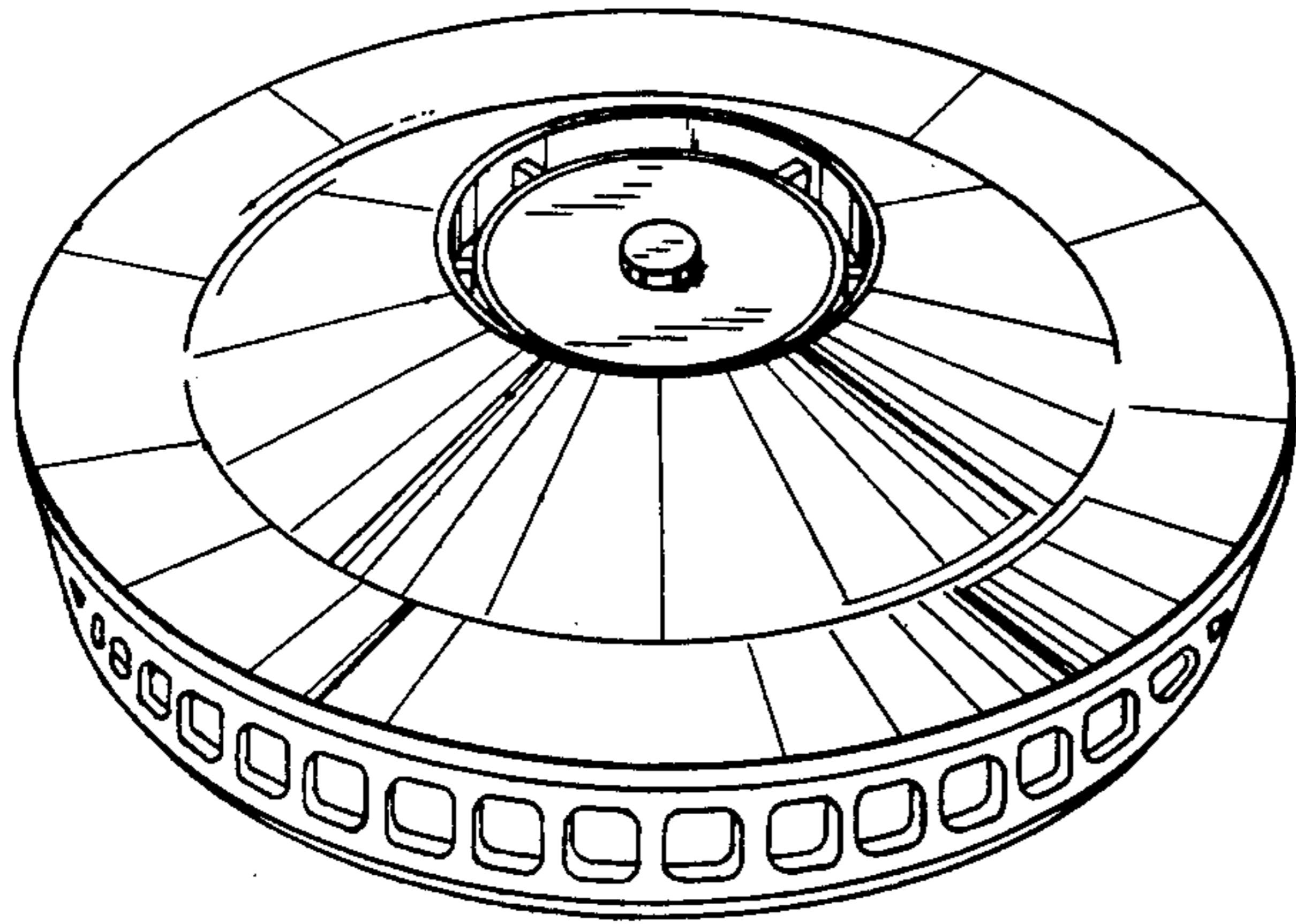
[57] CLAIM

The ornamental design for a combined smoke and fire alarm or the like, as shown and described.

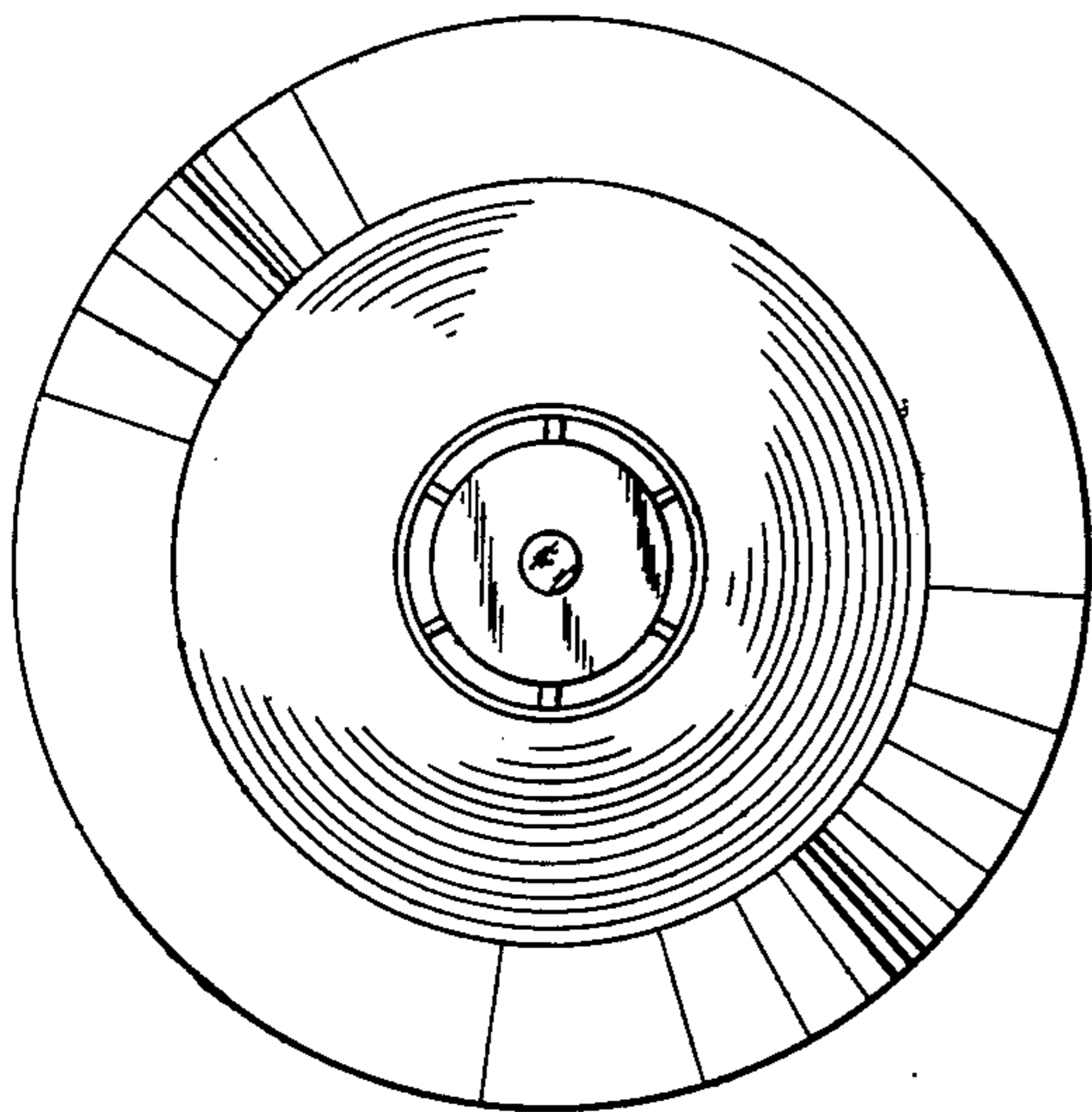
DESCRIPTION

FIG. 1 is a perspective view of a combined smoke and fire alarm or the like embodying the new design; FIG. 2 is a top plan view thereof on a reduced scale; FIG. 3 is a bottom plan view thereof on a reduced scale; and FIG. 4 is a side-elevational view thereof on a reduced scale.

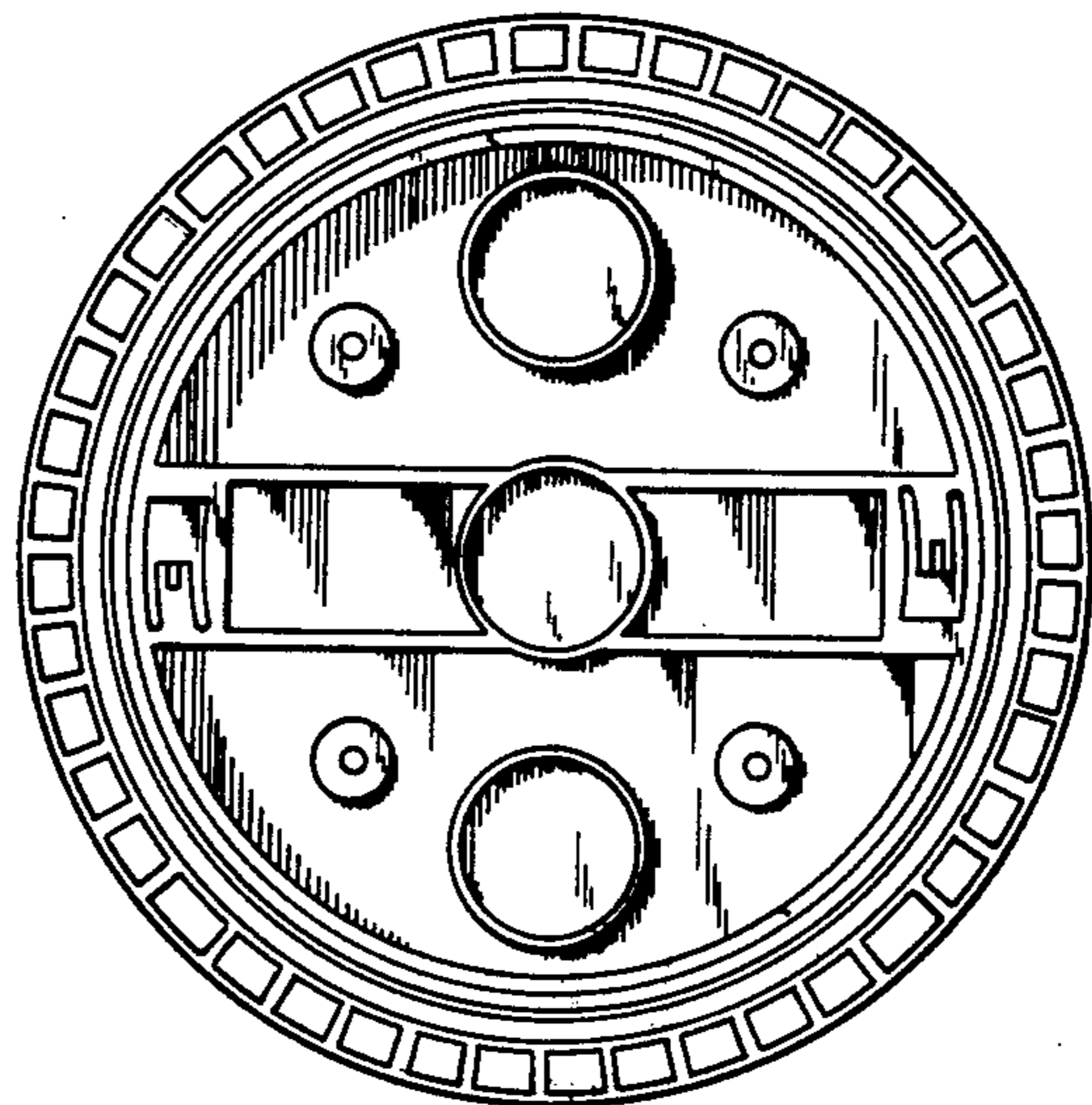




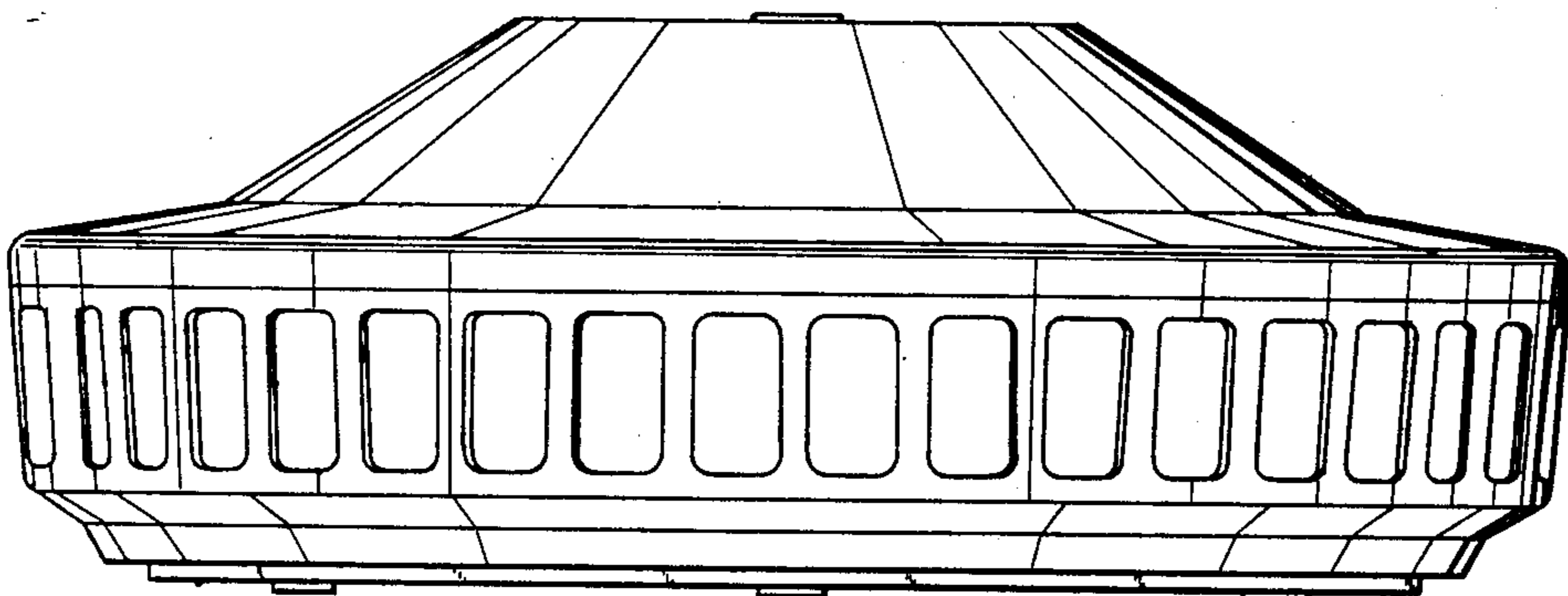
*Fig-1*



*Fig-2*



*Fig-3*



*Fig-4*