

[54] WATCH

[75] Inventor: **Alain D. Perrin**, Rueil-Malmaison, France

[73] Assignee: **Les Must de Cartier-France**, Paris, France

[\*\*] Term: **14 Years**

[21] Appl. No.: **797,573**

[22] Filed: **May 16, 1977**

[30] **Foreign Application Priority Data**

Nov. 15, 1976 [FR] France ..... 76 75218

[51] Int. Cl. .... **D10-02**

[52] U.S. Cl. .... **D10/39**

[58] Field of Search ..... **D10/30, 31, 32, 37, D10/38, 39, 131; 58/53-56, 88 R, 88 G, 88 B**

[56] **References Cited**

**U.S. PATENT DOCUMENTS**

D. 6,282	12/1872	Dueber .....	D10/37
D. 75,549	6/1928	Conant .....	D10/38
D. 77,395	1/1929	Conant .....	D10/38

**OTHER PUBLICATIONS**

European Jeweler, 8/77, p. 54, Watch at bottom-middle.

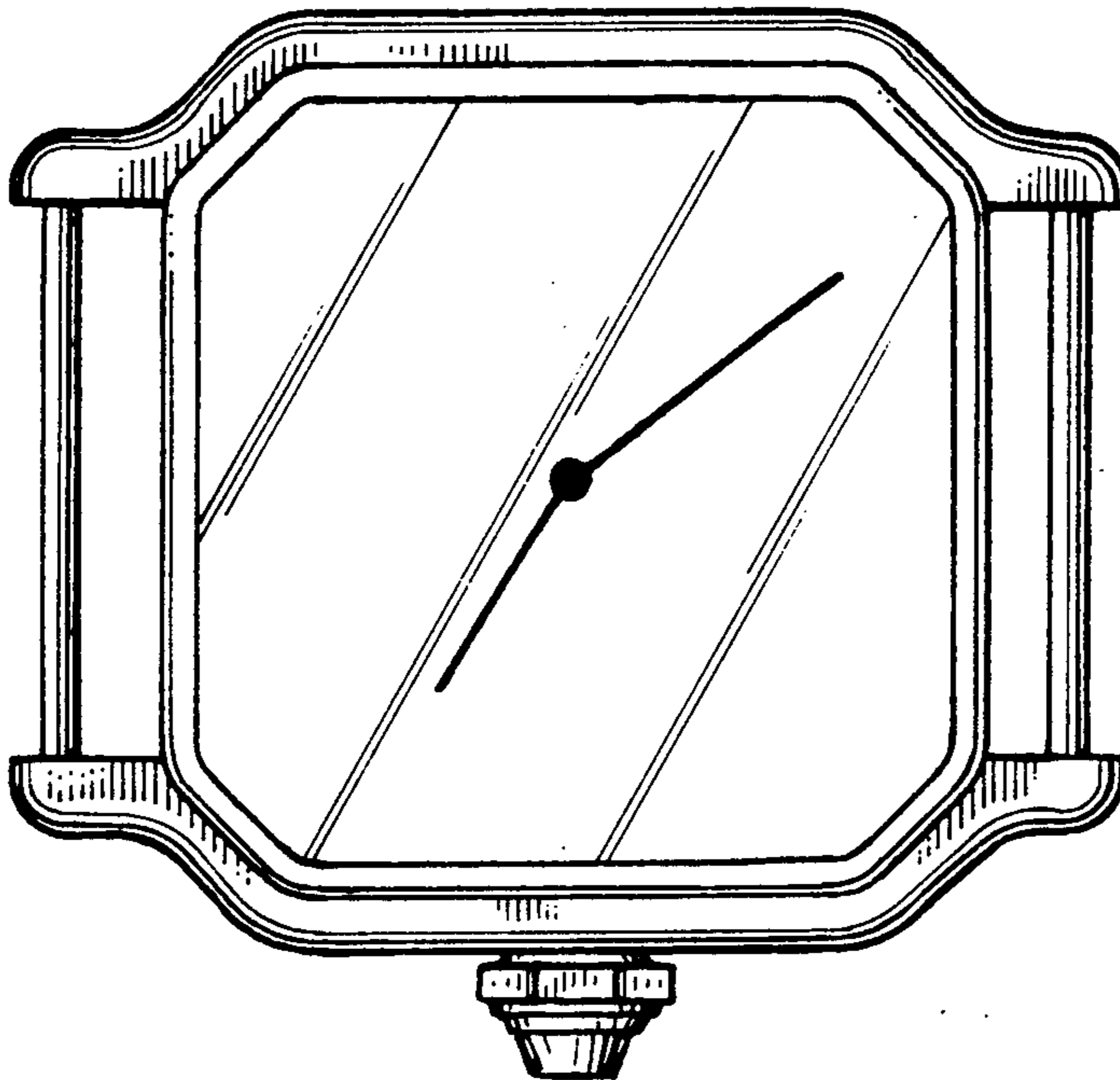
*Primary Examiner*—Nelson C. Holtje  
*Attorney, Agent, or Firm*—John W. Malley

[57] **CLAIM**

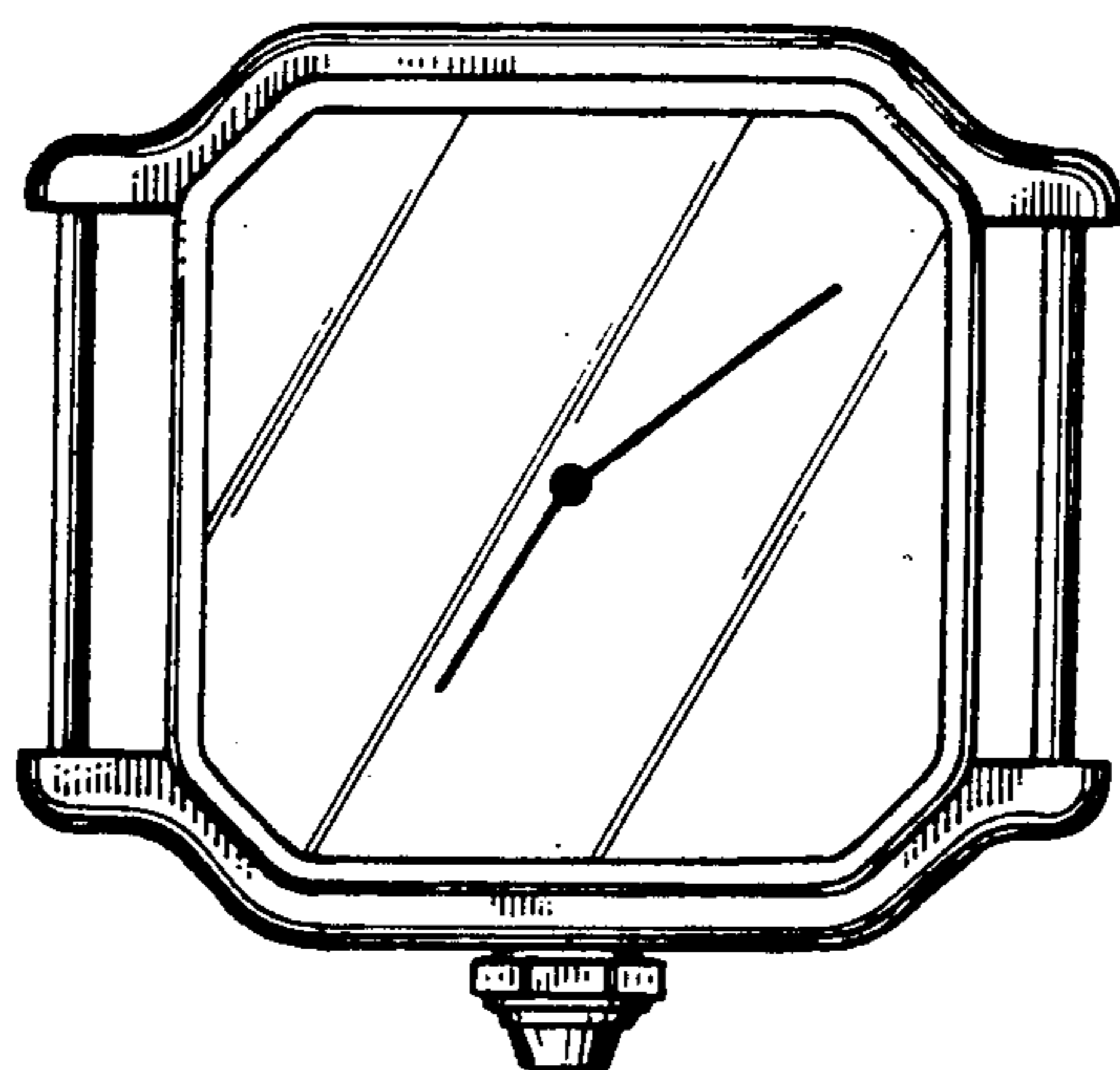
The ornamental design for a watch as shown and described.

**DESCRIPTION**

FIG. 1 is a top plan view of a watch showing my new design;  
FIG. 2 is a front edge elevational view thereof, the opposite edge being a mirror image thereto without the crown;  
FIG. 3 is a bottom plan view thereof.



*Fig. 1*



*Fig. 2*



*Fig. 3*

