

[54] DISPLAY BOX

3,949,928 4/1976 Perkins ..... 229/19

[76] Inventor: Martin B. Perkins, 3304 Lafayette, Omaha, Nebr. 68131

Primary Examiner—Robert C. Spangler  
Attorney, Agent, or Firm—Louis J. Strom

[\*\*] Term: 14 Years

[57] CLAIM

[21] Appl. No.: 795,971

The ornamental design for a display box, substantially as shown and described.

[22] Filed: May 11, 1977

DESCRIPTION

[51] Int. Cl. .... D9-03

FIG. 1 is a top perspective view of a display box showing my new design, the end, side and bottom not shown being substantially the same in appearance as the respective end, side and top shown;

[52] U.S. Cl. .... D9/221; D9/223

[58] Field of Search ..... D9/221, 223, 240; 229/9, 10, 19, 20; 206/44 R, 45.11, 44.12, 45.15

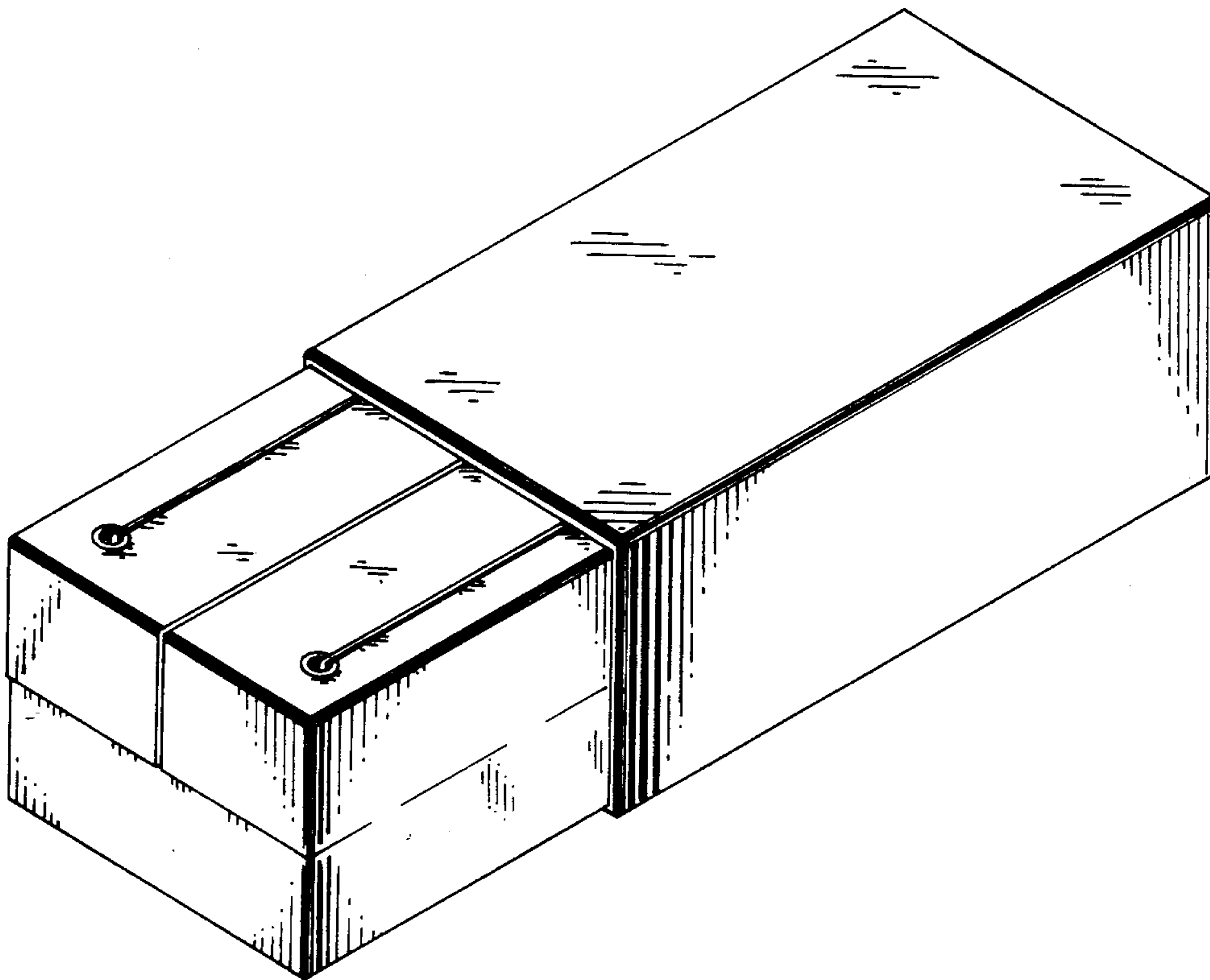
FIG. 2 is a perspective view in a partially open position; FIG. 3 is a perspective view in a further open position; and

[56] References Cited

U.S. PATENT DOCUMENTS

1,682,449 8/1928 Vest ..... D9/223 X  
3,648,918 3/1972 Van Inwagen ..... 229/9 X

FIG. 4 is a perspective view of the insert in a fully open position.



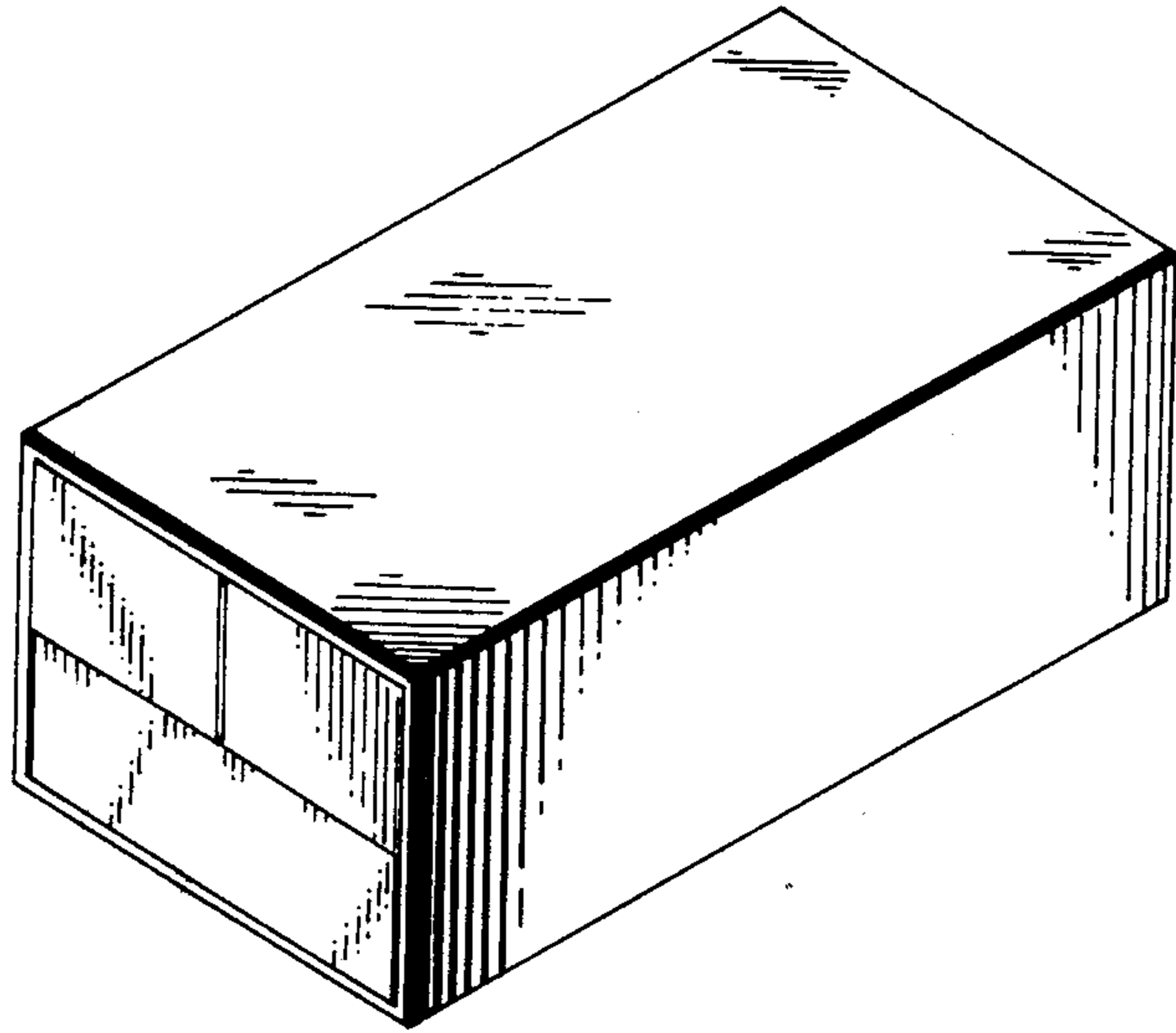


FIG. 1

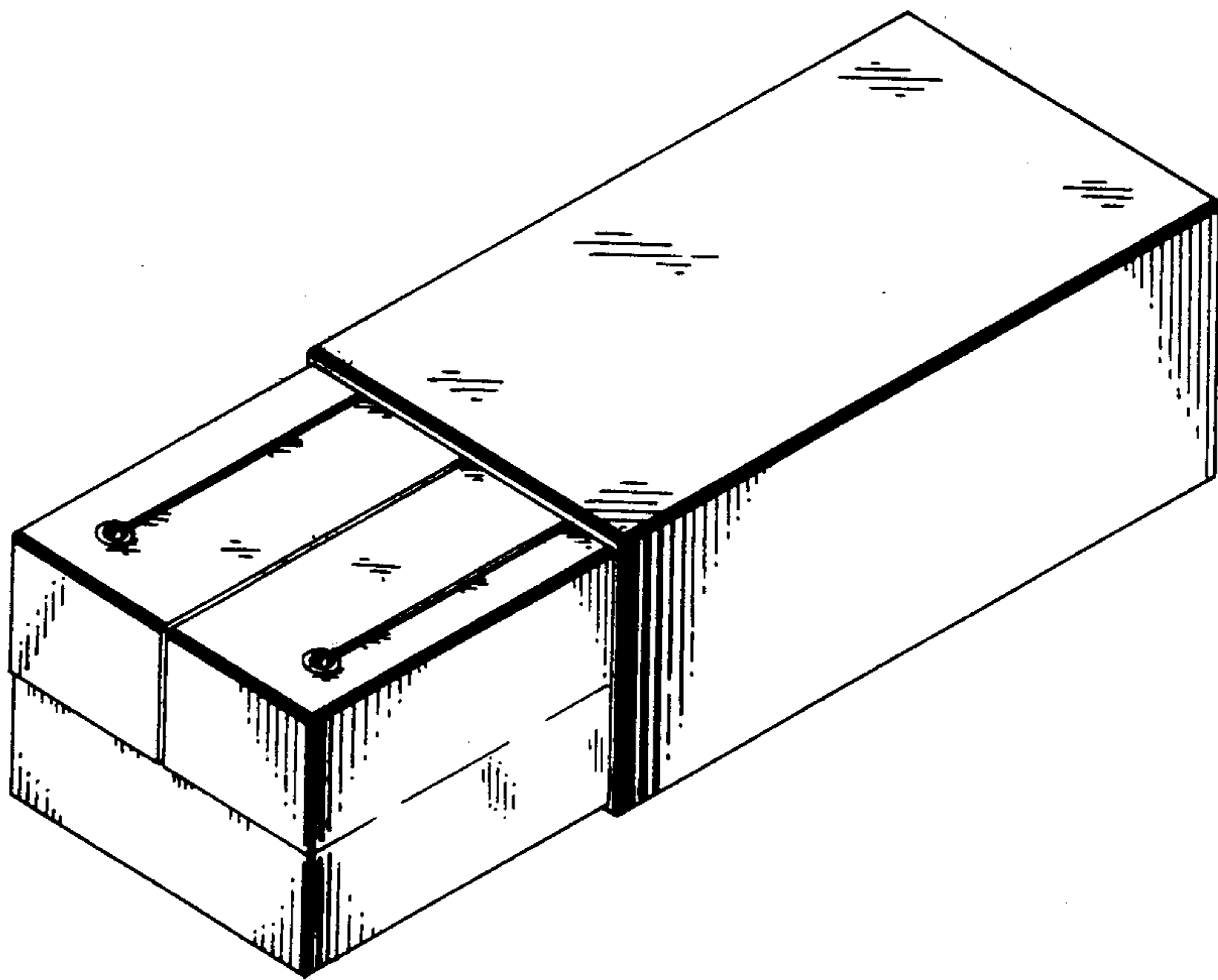


FIG. 2

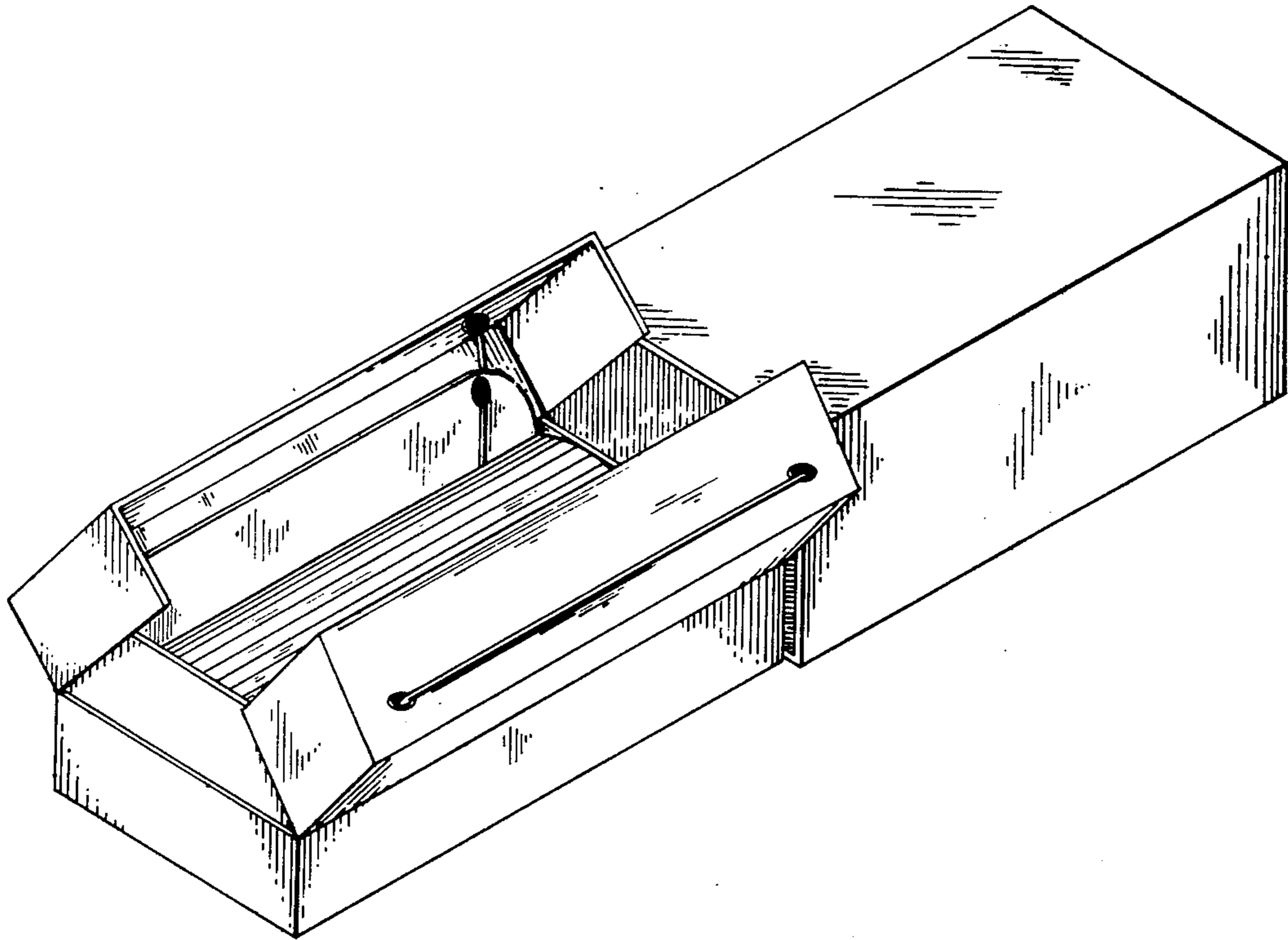


FIG. 3

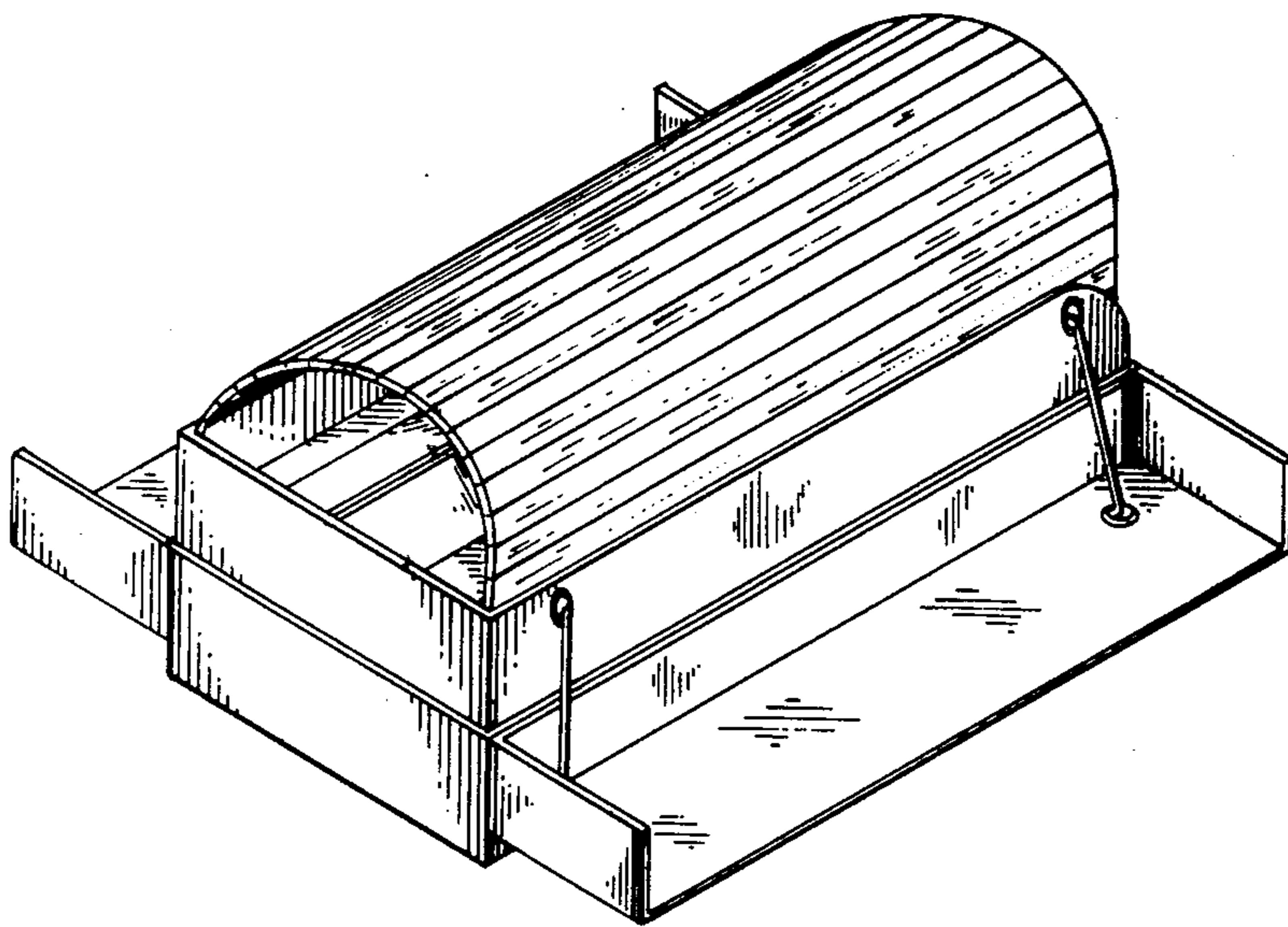


FIG. 4