

[54] FOOD GRINDER

[75] Inventors: Thomas G. Cannon, Ft. Collins, Colo.; Frederick G. Mackay, Tarzana, Calif.

[73] Assignee: Teledyne Industries, Inc., Ft. Collins, Colo.

[**] Term: 14 Years

[21] Appl. No.: 792,034

[22] Filed: Apr. 28, 1977

[51] Int. Cl. D7-04

[52] U.S. Cl. D7/155; D15/98

[58] Field of Search D7/85, 41, 94, 153, D7/155, 156, 159, 160; D15/98, 99, 100, 101

[56]

References Cited

U.S. PATENT DOCUMENTS

D. 100,407	7/1936	Beudoux	D15/101
D. 143,756	2/1946	Reinecke	D15/111
D. 180,985	9/1957	Anderson et al.	D7/159
D. 193,676	9/1962	Taves	D7/159
D. 231,392	4/1974	Ross et al.	D7/153 X
3,112,781	12/1963	Popeil	D7/153 X

Primary Examiner—Winifred E. Herrmann
Attorney, Agent, or Firm—Hugh H. Drake

[57] CLAIM

The ornamental design for a food grinder, as shown.

DESCRIPTION

FIG. 1 is a perspective view of a food grinder showing our new design;

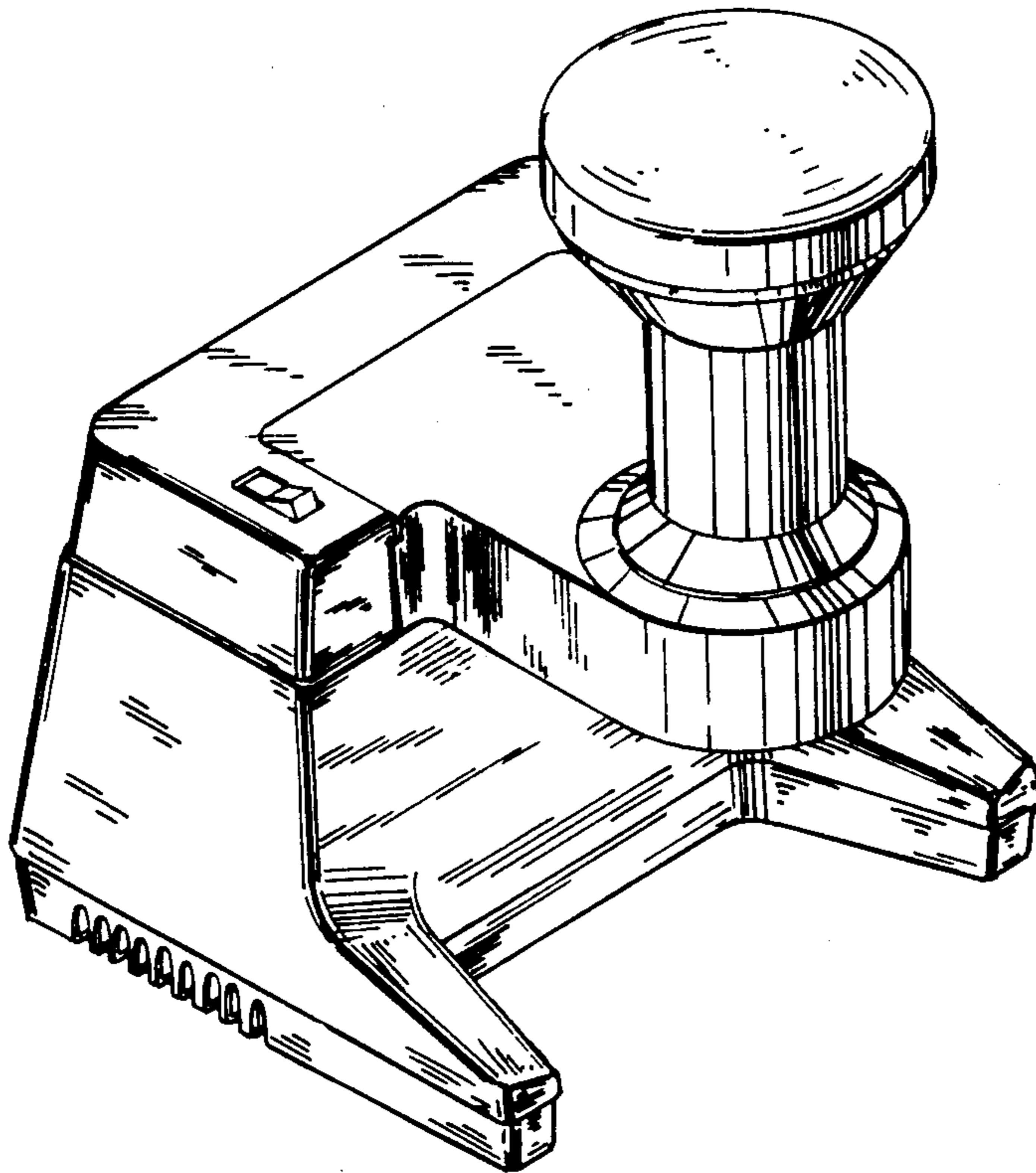
FIG. 2 is a top plan view thereof;

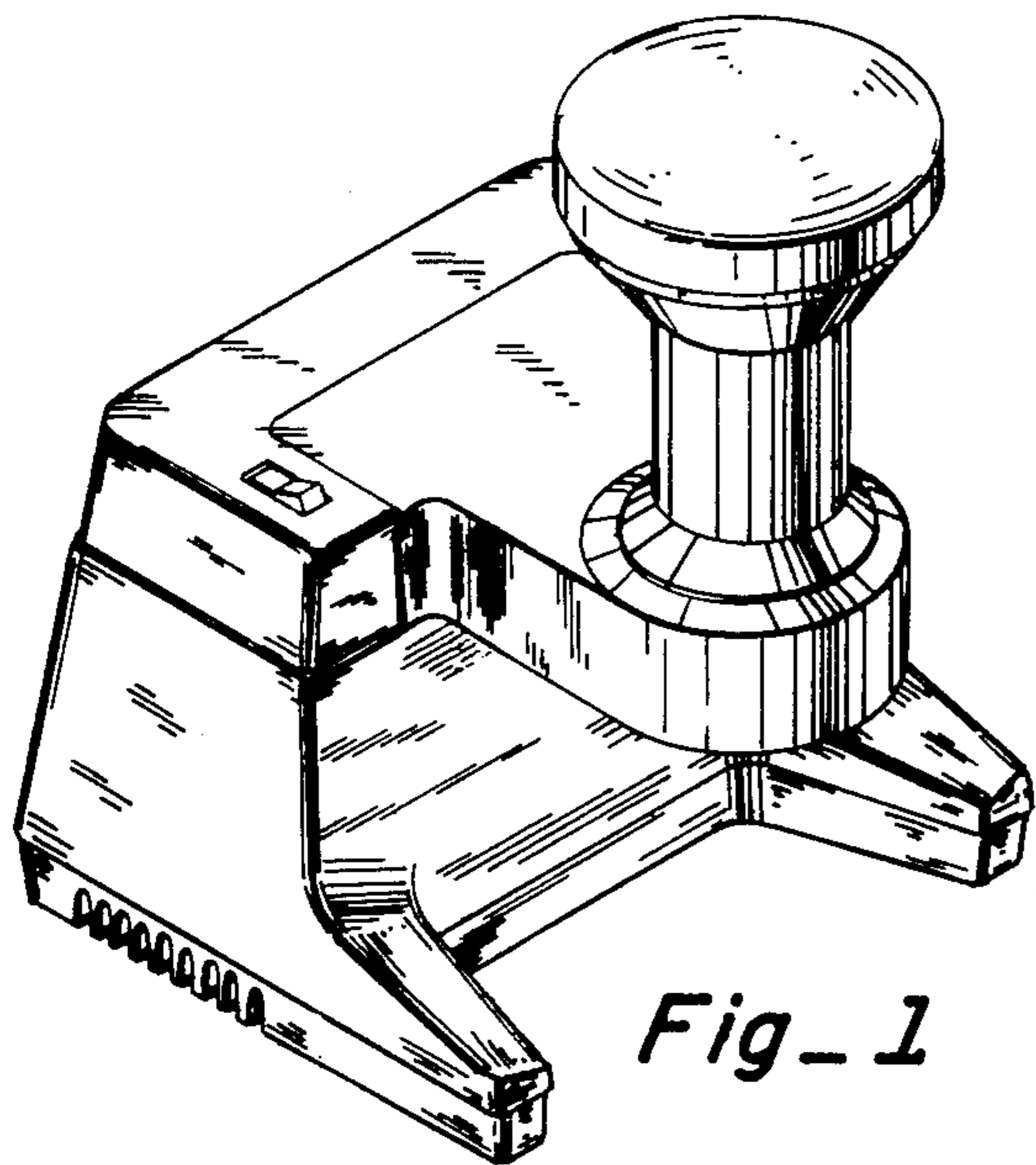
FIG. 3 is a side-elevational view thereof;

FIG. 4 is a front-elevational view thereof;

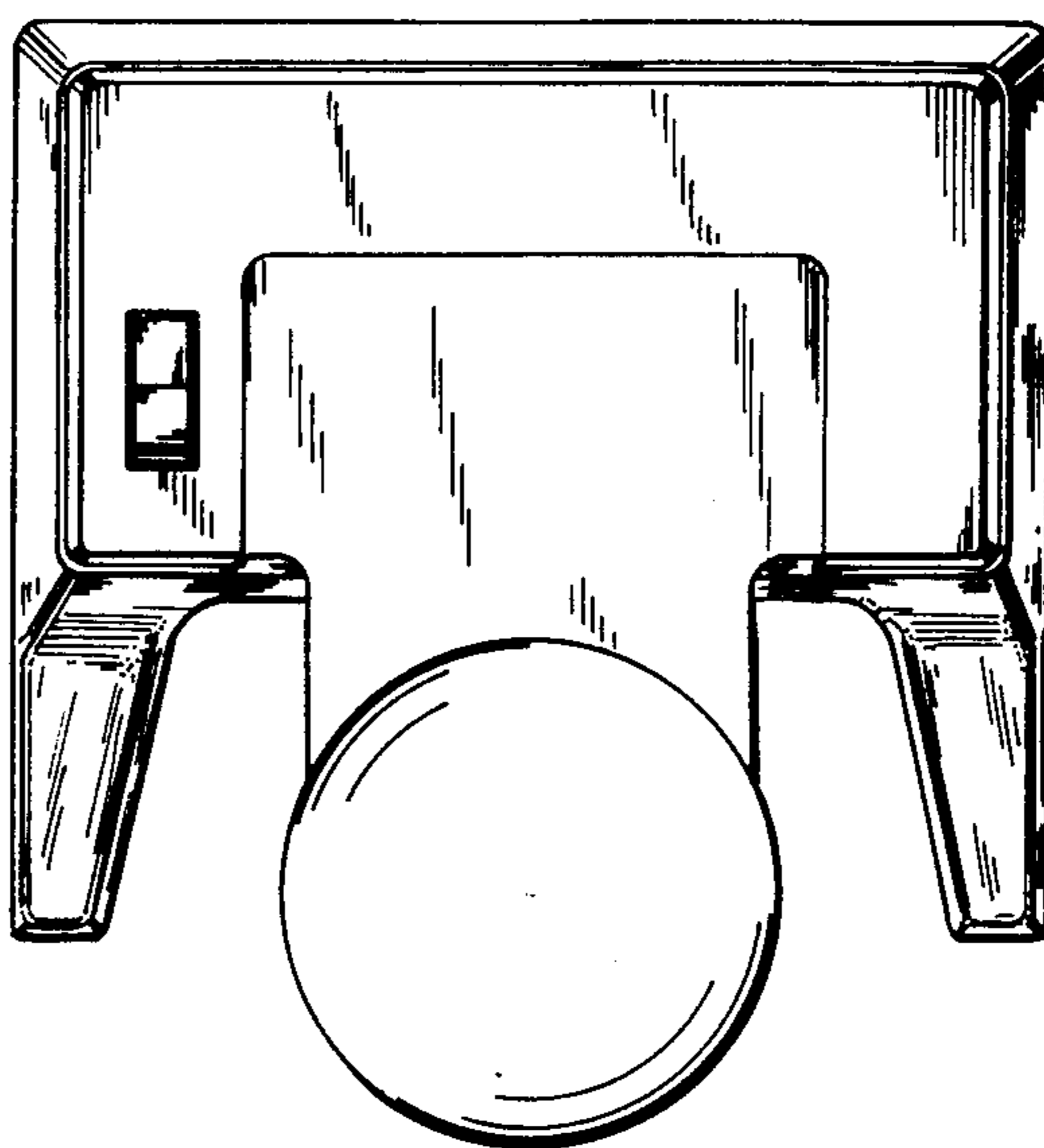
FIG. 5 is a bottom plan view thereof;

FIG. 6 is a rear-elevational view thereof.

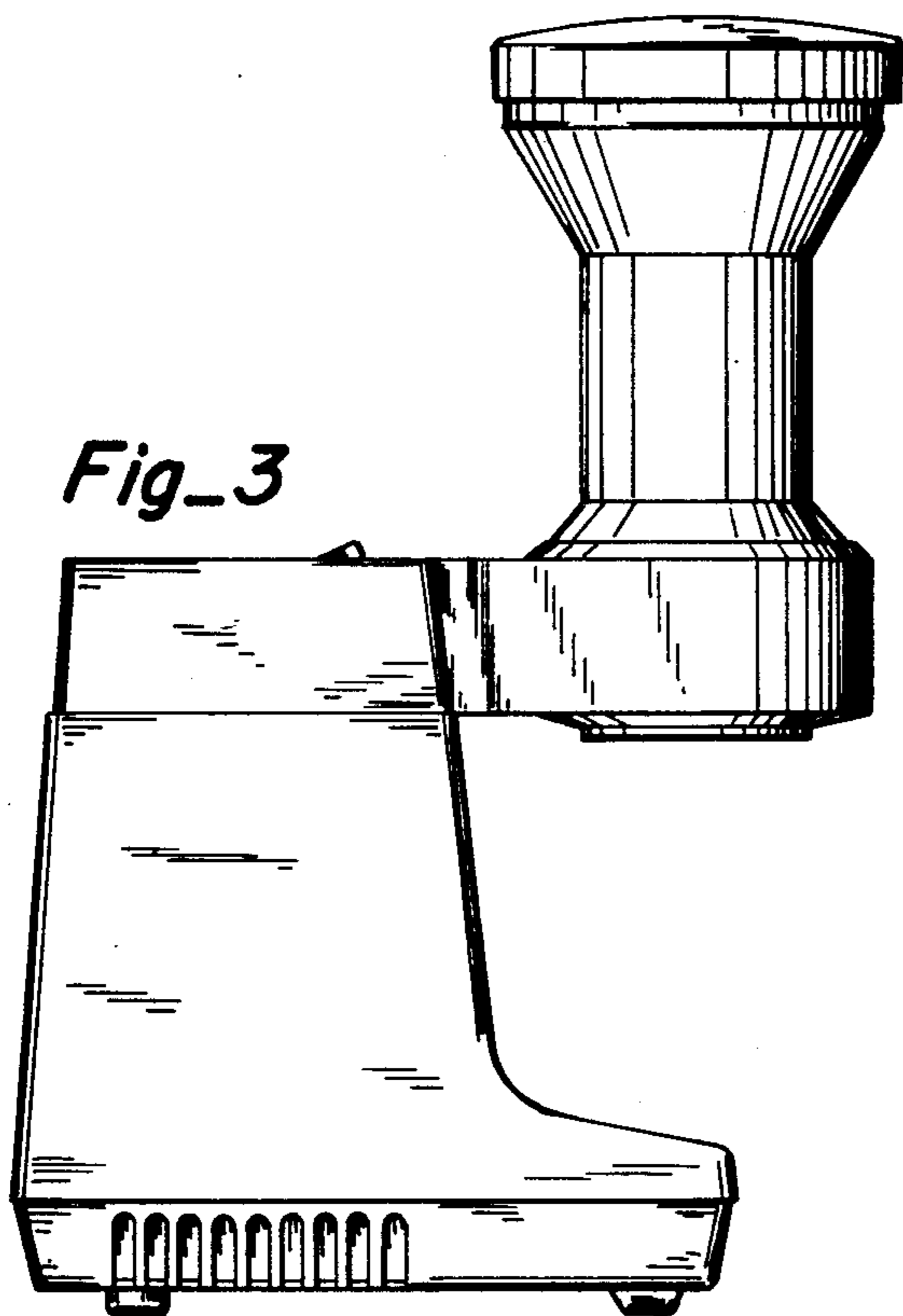




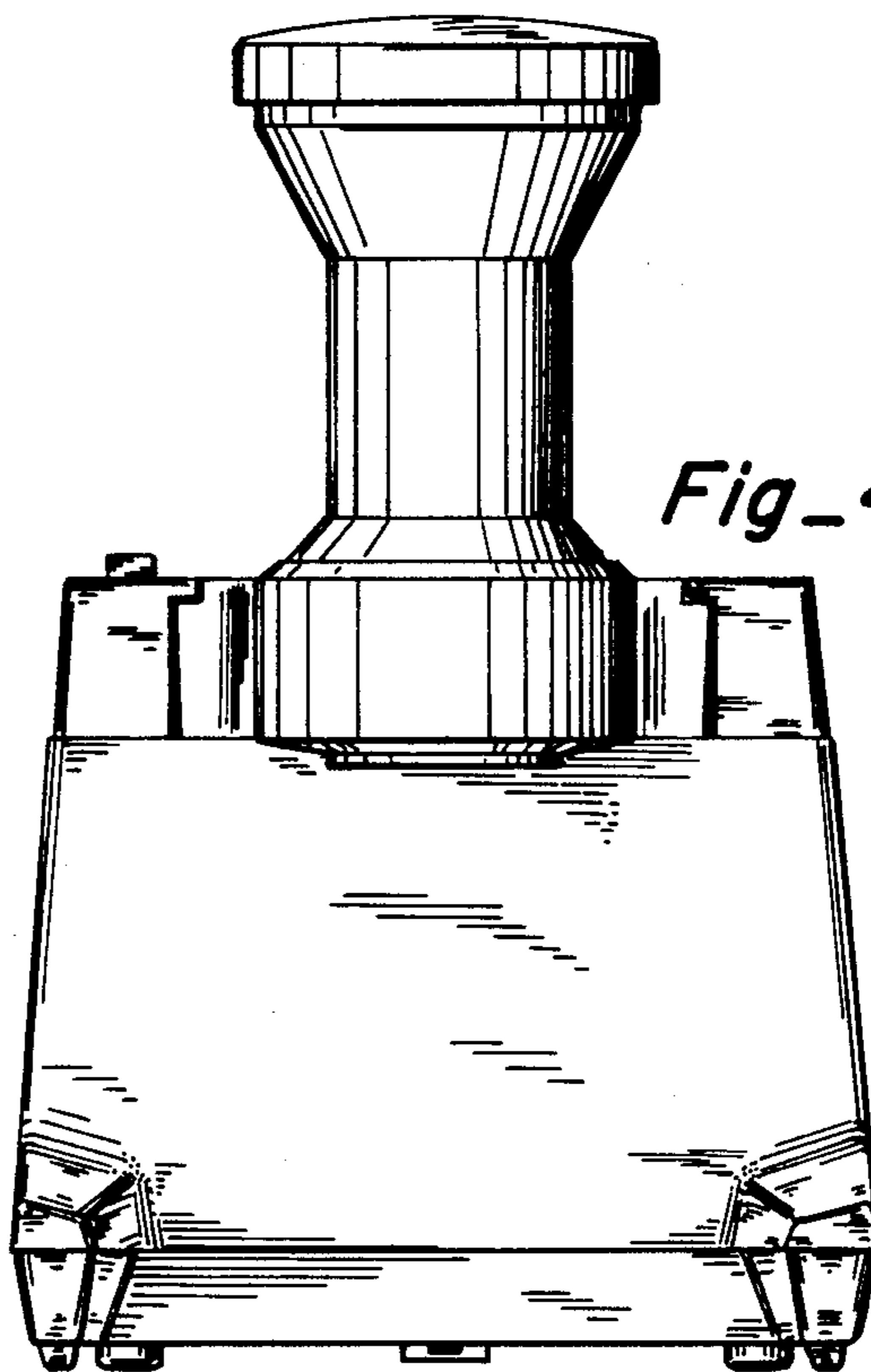
Fig_1



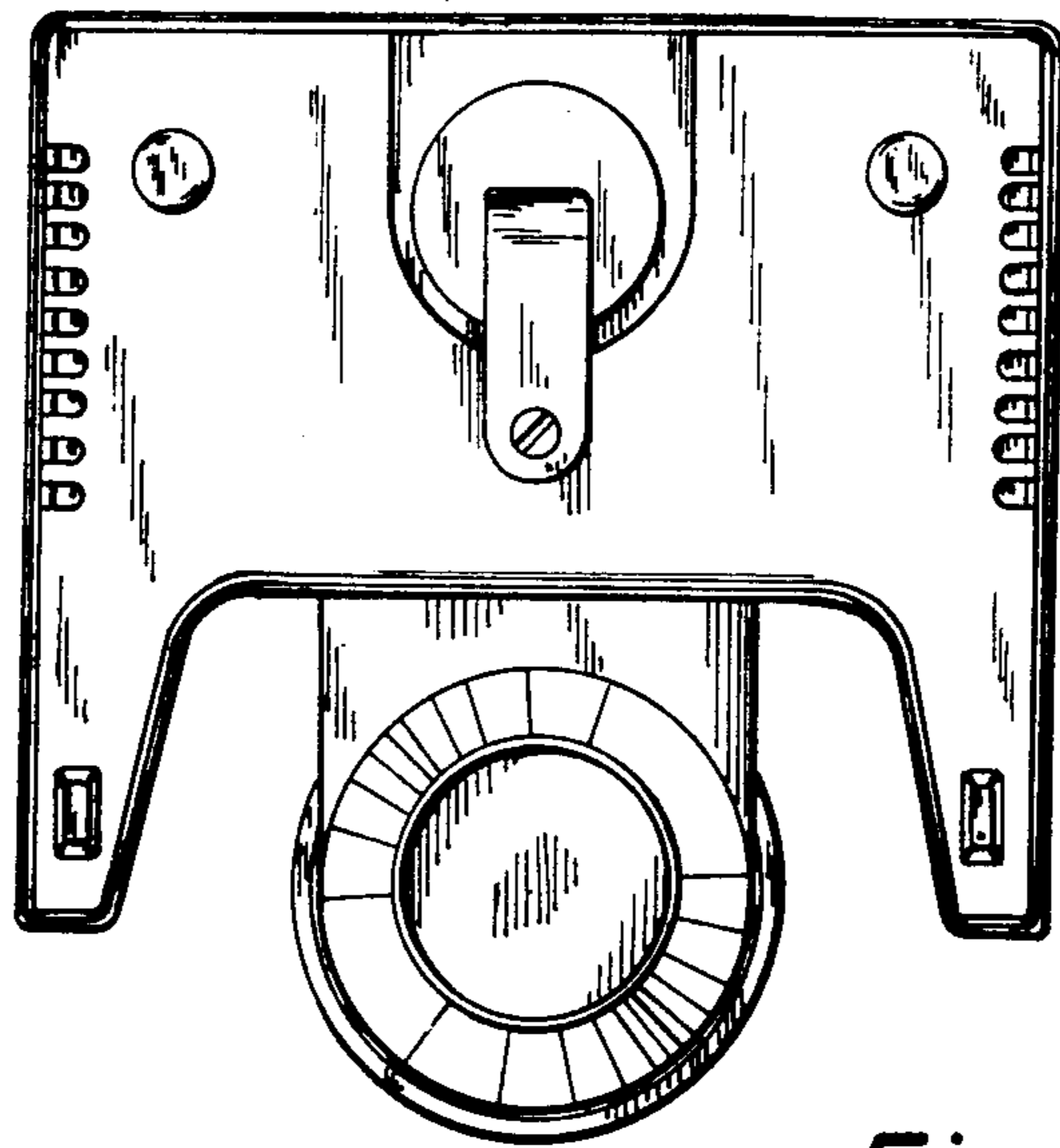
Fig_2



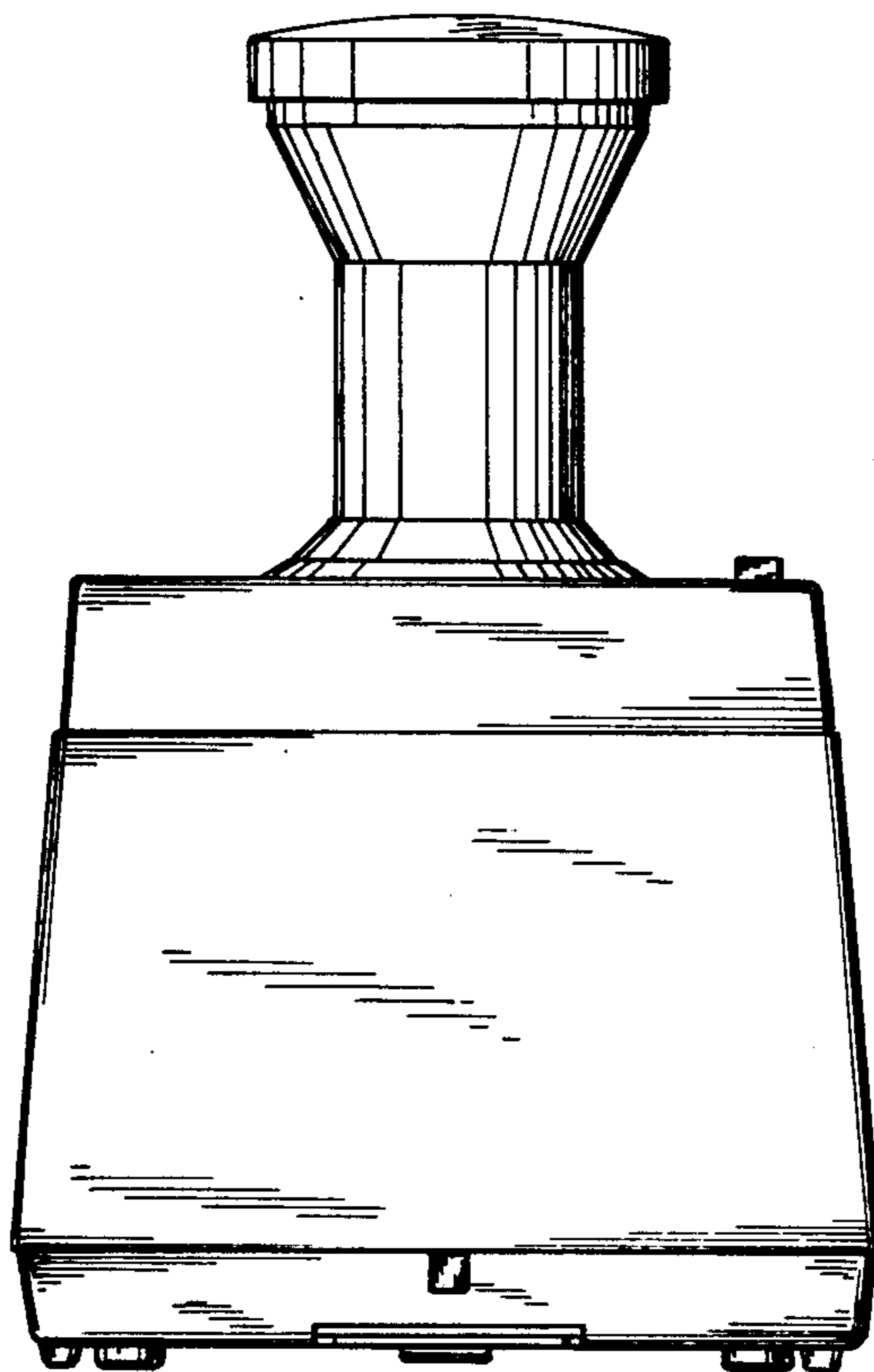
Fig_3



Fig_4



Fig_5



Fig_6