

[54] STORAGE UNIT

[75] Inventors: Barrett A. Johnson, Sunnyvale; Julianne Jones, San Francisco; Edward D. Lucey, Los Gatos, all of Calif.

[73] Assignee: Spacial Designs, Inc., Sunnyvale, Calif.

[\*\*] Term: 14 Years

[21] Appl. No.: 916,010

[22] Filed: Jun. 16, 1978

[51] Int. Cl. .... D6-04

[52] U.S. Cl. .... D6/135; D6/130; D6/134; D6/186

[58] Field of Search ..... D6/130, 134, 135, 146, D6/148, 151, 172, 181, 186, 188, 189; 211/87, 88, 90, 134, 135, 144, 188, 153, 182, 163; 108/59, 91, 92, 152

[56] References Cited

U.S. PATENT DOCUMENTS

D. 244,924	7/1977	Scheibner .....	D6/186
1,149,639	8/1915	Doust .....	211/134
4,118,084	10/1978	Sussman .....	D6/186

OTHER PUBLICATIONS

Hardware Age, 4/25/1957, p. 110, display unit. Saah Furniture Brochure, fold 1, underwindow bookcase.

Primary Examiner—Wallace R. Burke

Assistant Examiner—B. J. Bullock

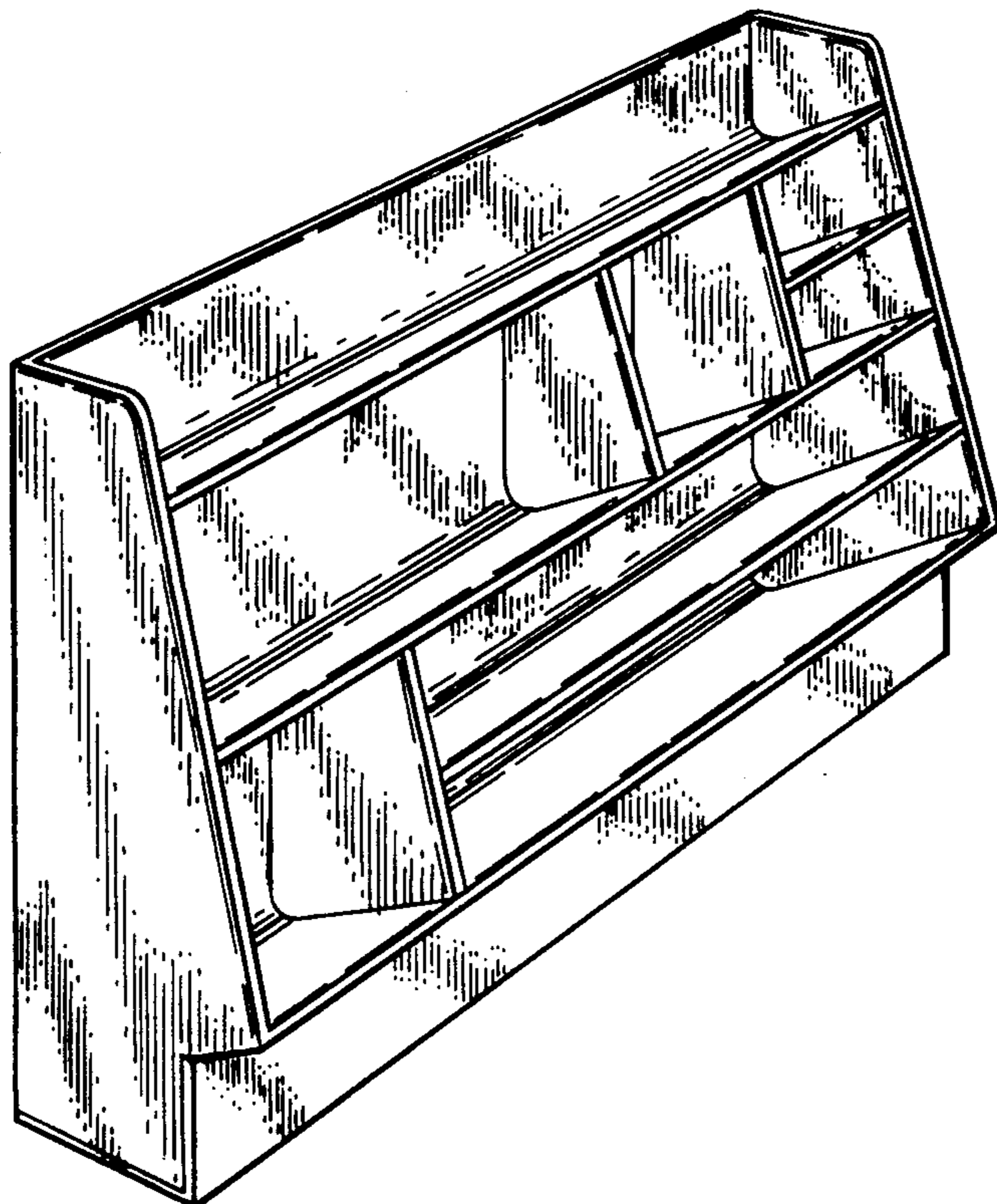
Attorney, Agent, or Firm—Claude A.S. Hamrick

[57] CLAIM

The ornamental design for a storage unit, as shown and described.

DESCRIPTION

FIG. 1 is a front perspective view of a storage unit; FIG. 2 is a front elevational view thereof; FIG. 3 is a side elevational view thereof, the side opposite being substantially a mirror image; FIG. 4 is a rear elevational view thereof; FIG. 5 is top elevational view thereof; and FIG. 6 is a bottom elevational view thereof.



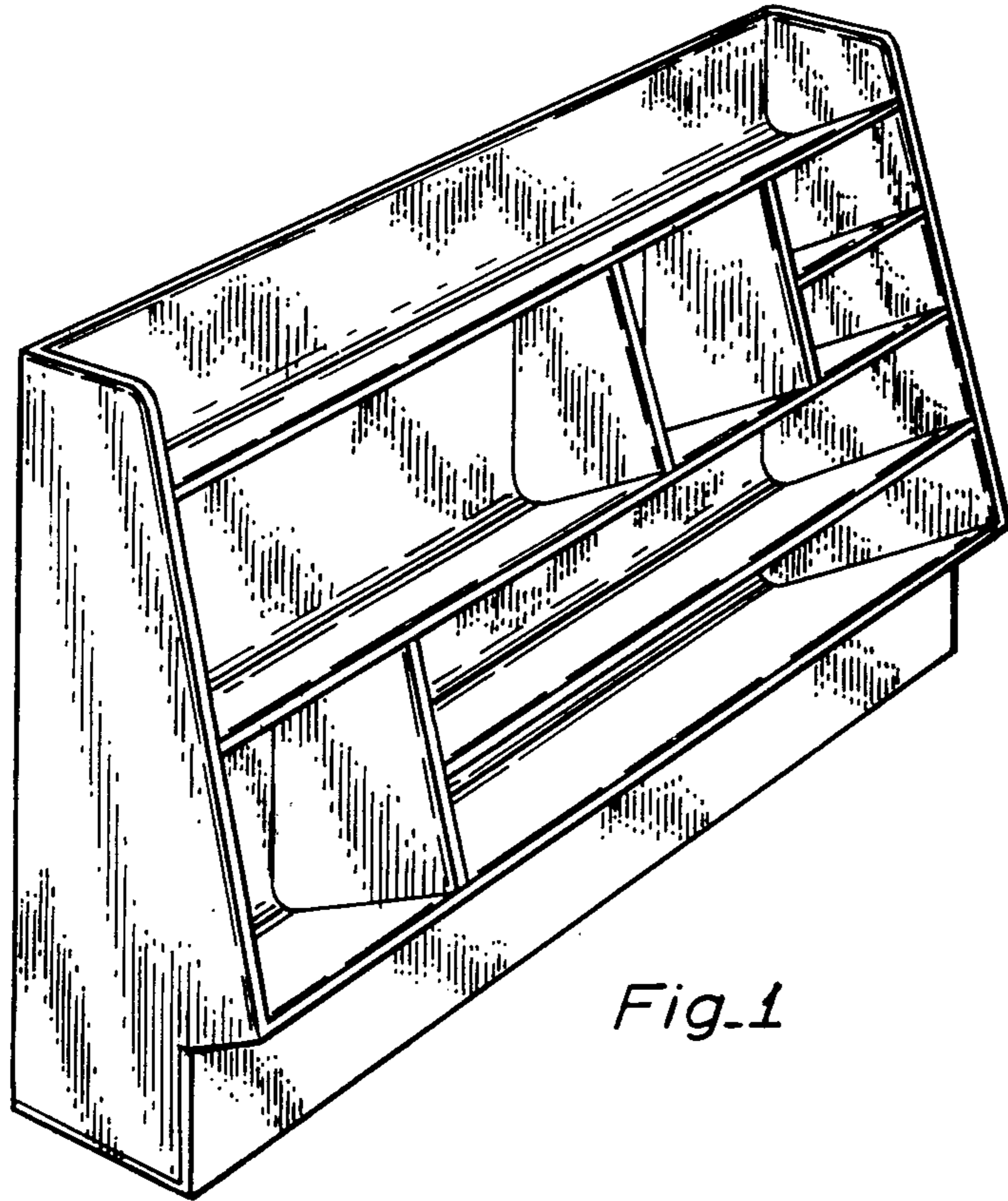


Fig. 1

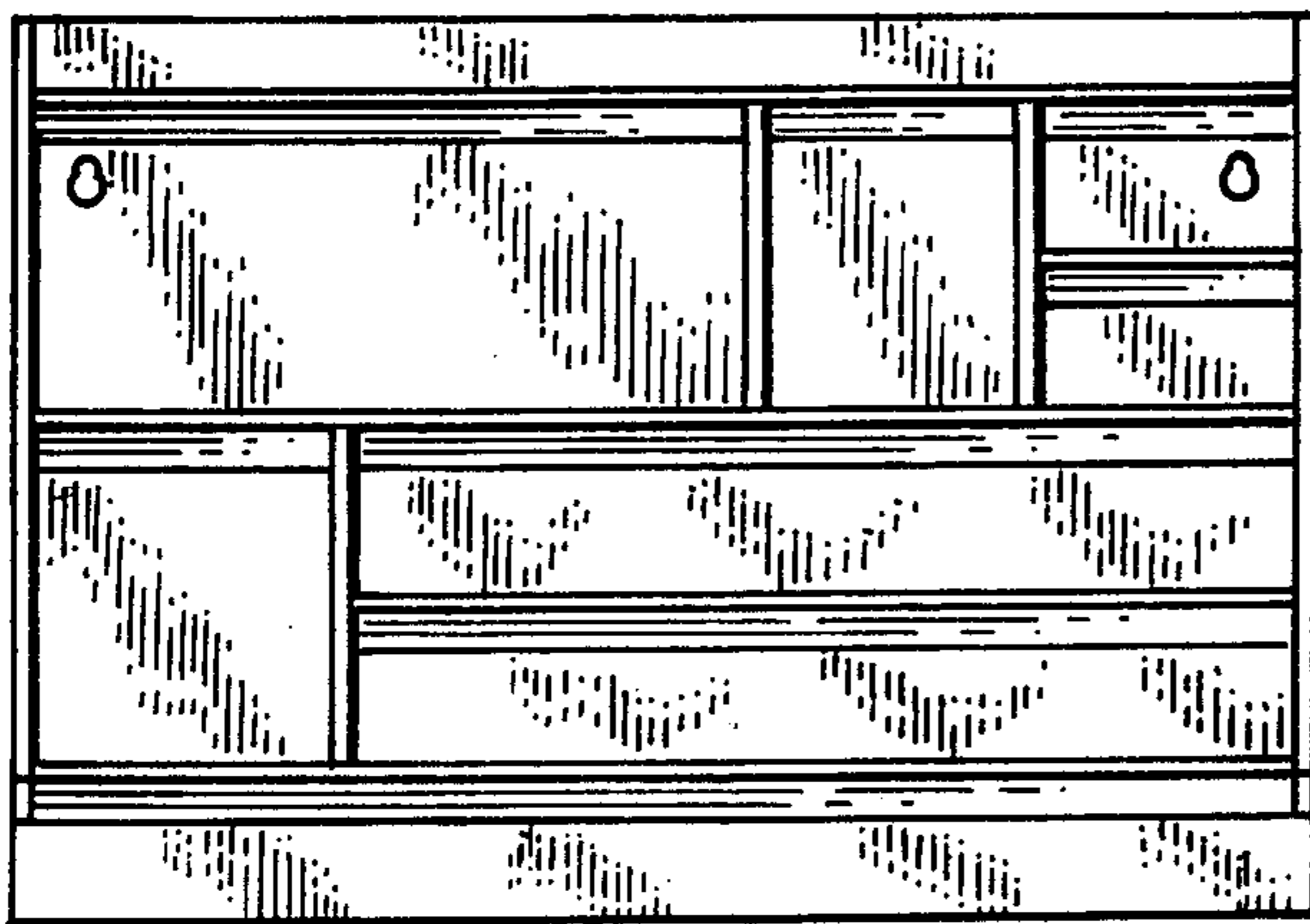
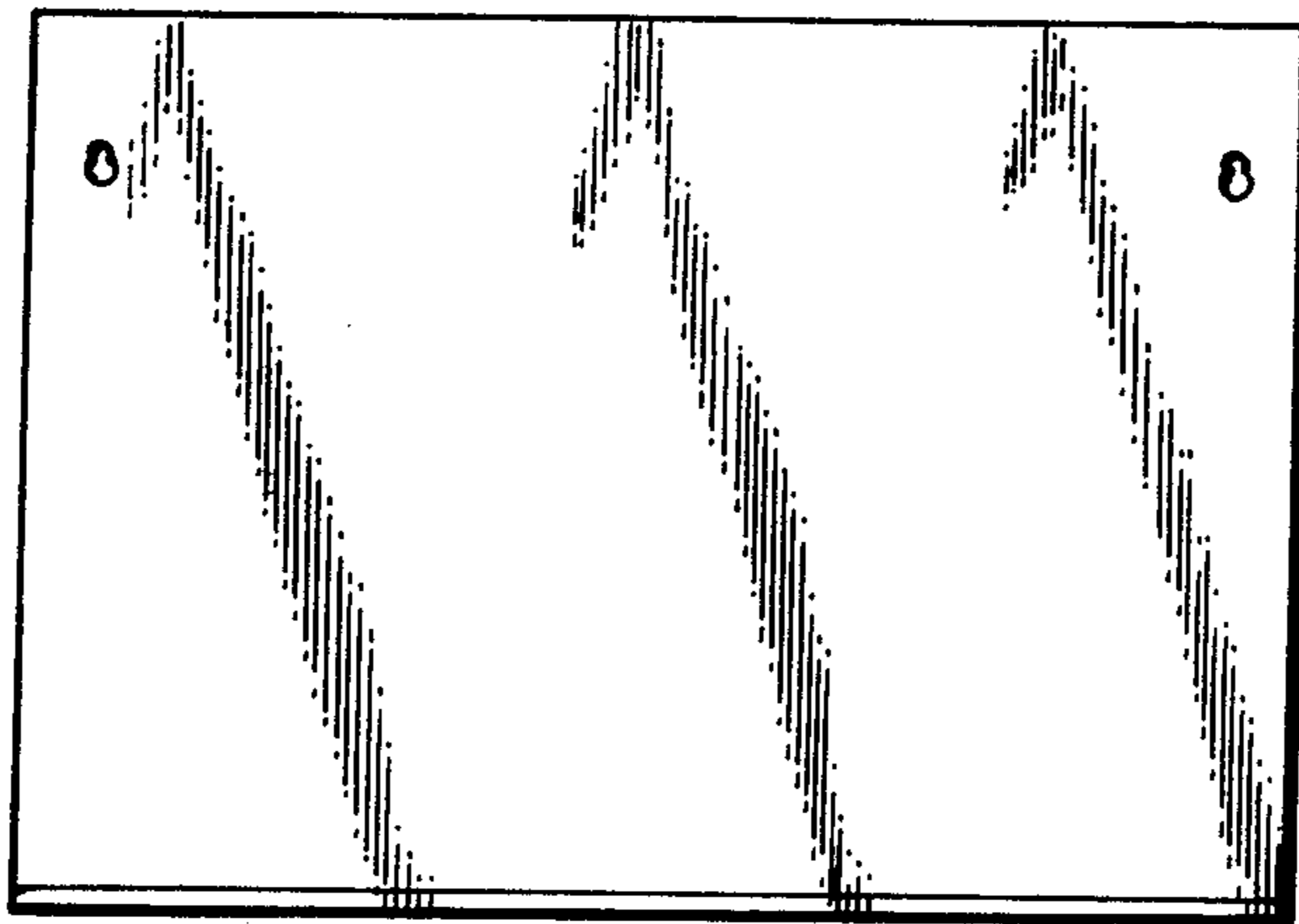


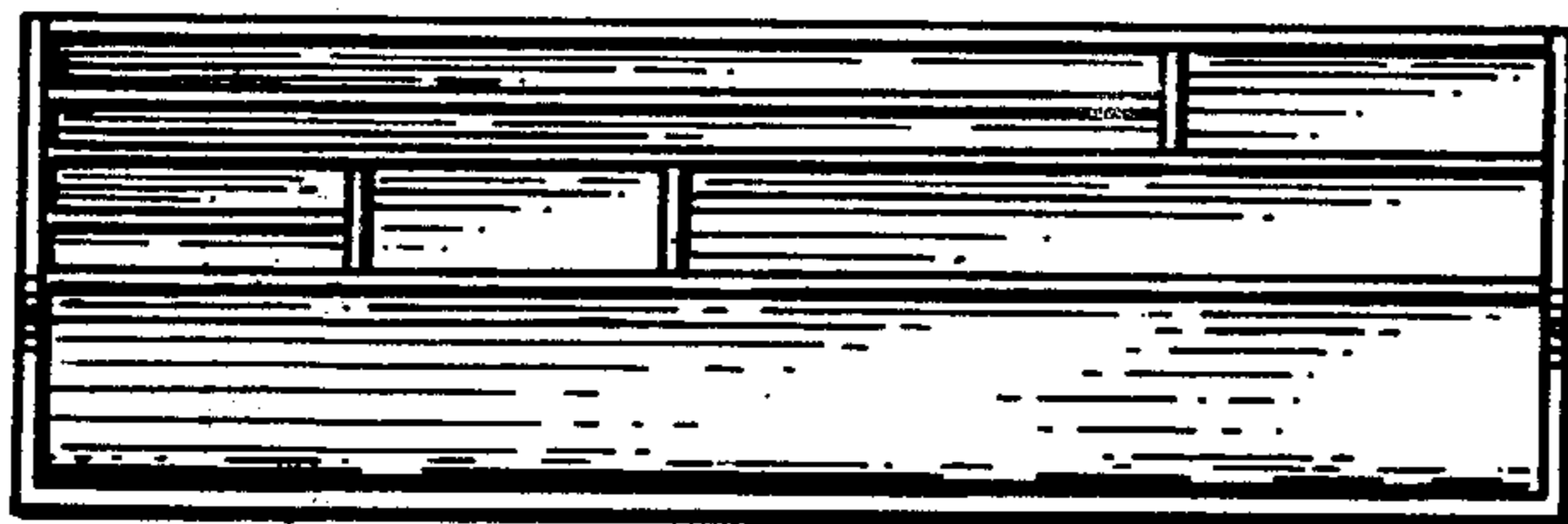
Fig. 2



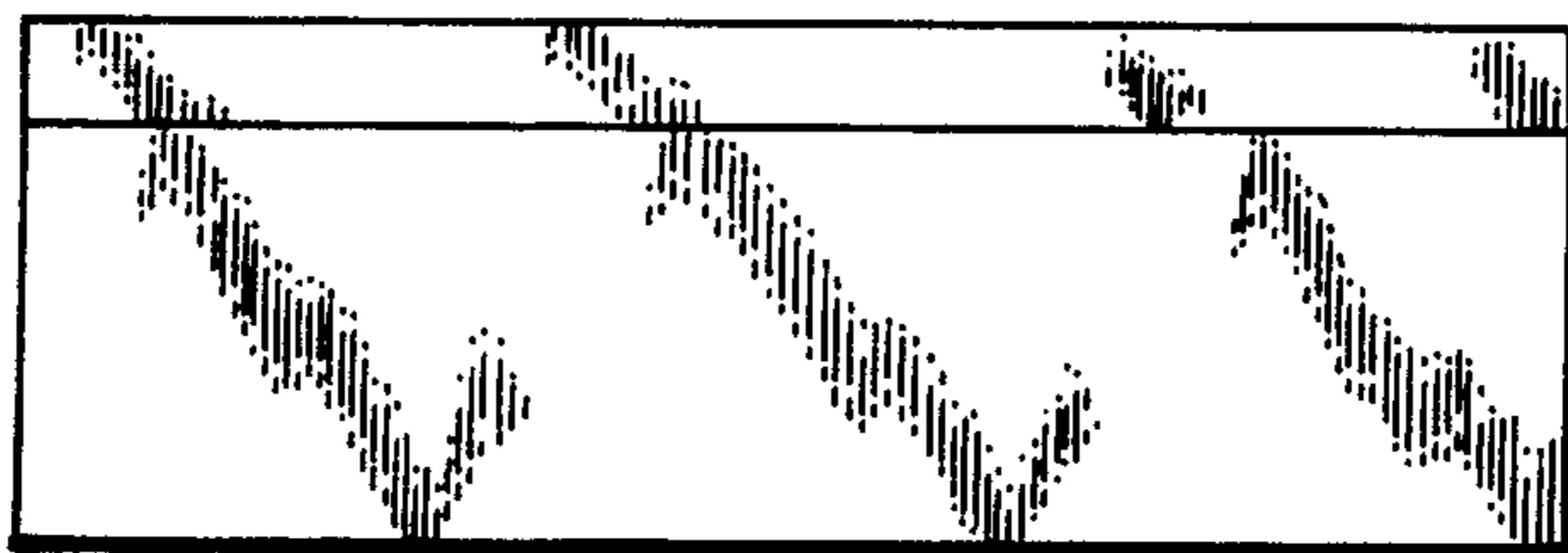
Fig. 3



*Fig\_4*



*Fig\_5*



*Fig\_6*