

[54] CHAIR OR THE LIKE

[76] Inventor: Menno Scholten, 2500 N. Lakeview, Chicago, Ill. 60614

[\*\*] Term: 14 Years

[21] Appl. No.: 781,727

[22] Filed: Mar. 28, 1977

[51] Int. Cl. .... D6-01

[52] U.S. Cl. .... D6/56

[58] Field of Search ..... D6/47-78

[56] References Cited

U.S. PATENT DOCUMENTS

D. 106,898	11/1937	Moody .....	D6/56
D. 167,940	10/1952	Hofgesang .....	D6/56
2,439,690	4/1948	Lippenberger .....	D6/65 X

OTHER PUBLICATIONS

Industrial Design, 12-1969, p. 58, chair lower right.

Primary Examiner—Bruce W. Dunkins

[57] CLAIM

The ornamental design for a chair or the like, substantially as shown.

DESCRIPTION

FIG. 1 is a front perspective view of a chair or the like of my invention;

FIG. 2 is a front elevational view of a chair or the like of my invention;

FIG. 3 is a side elevational view of a chair or the like of my invention; and

FIG. 4 is a rear elevational view of a chair or the like of my invention.

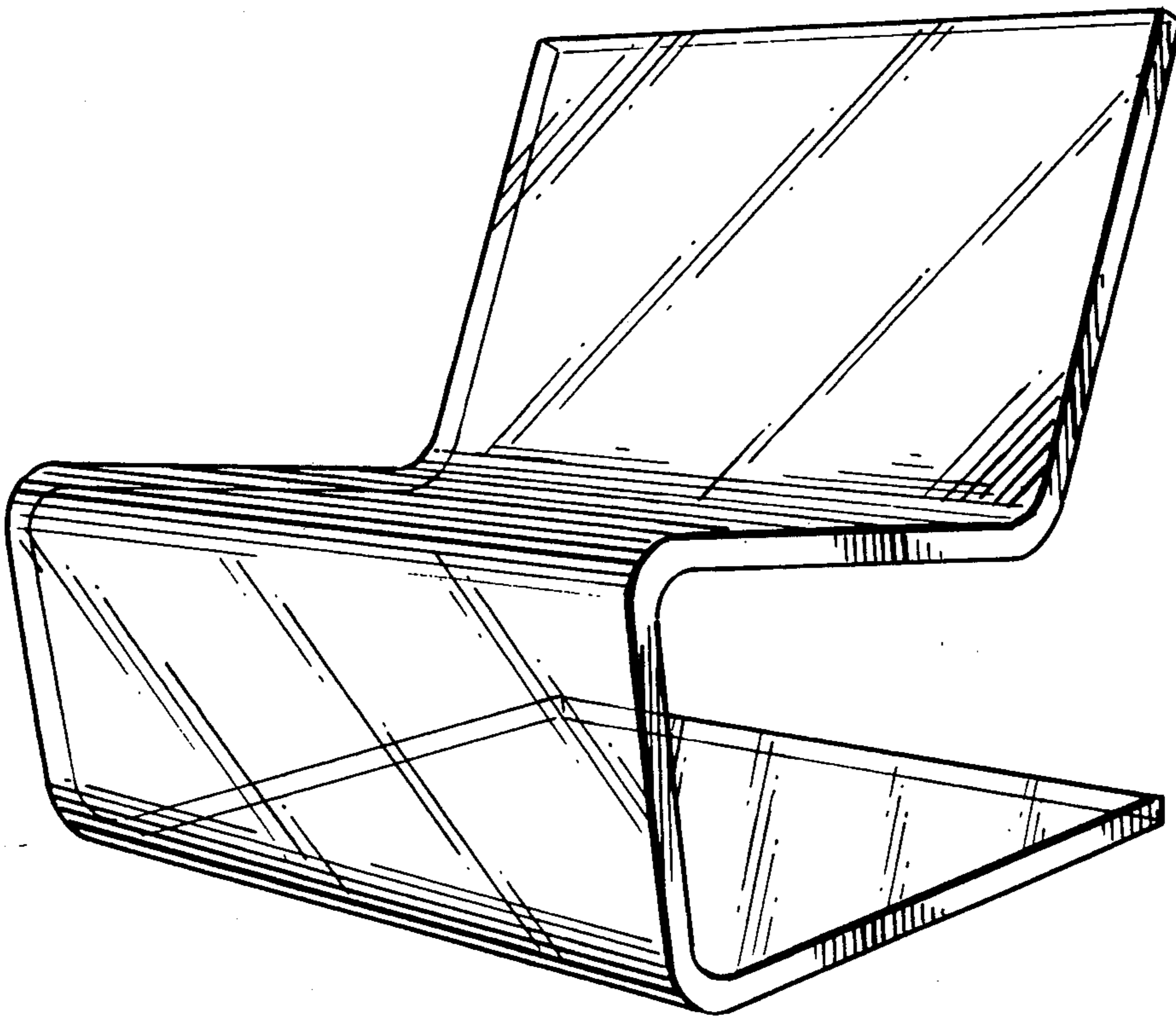


FIG. 1

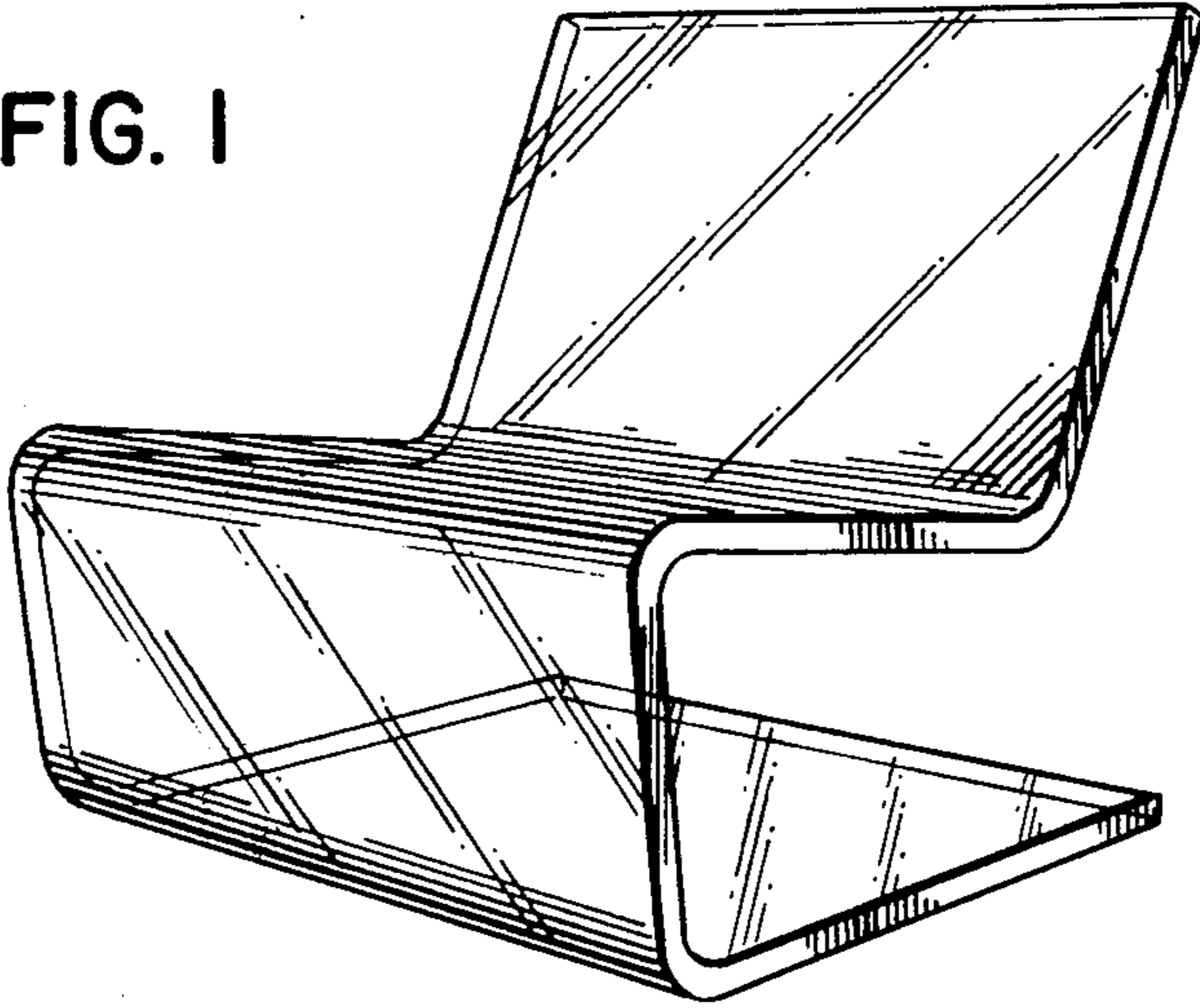


FIG. 2

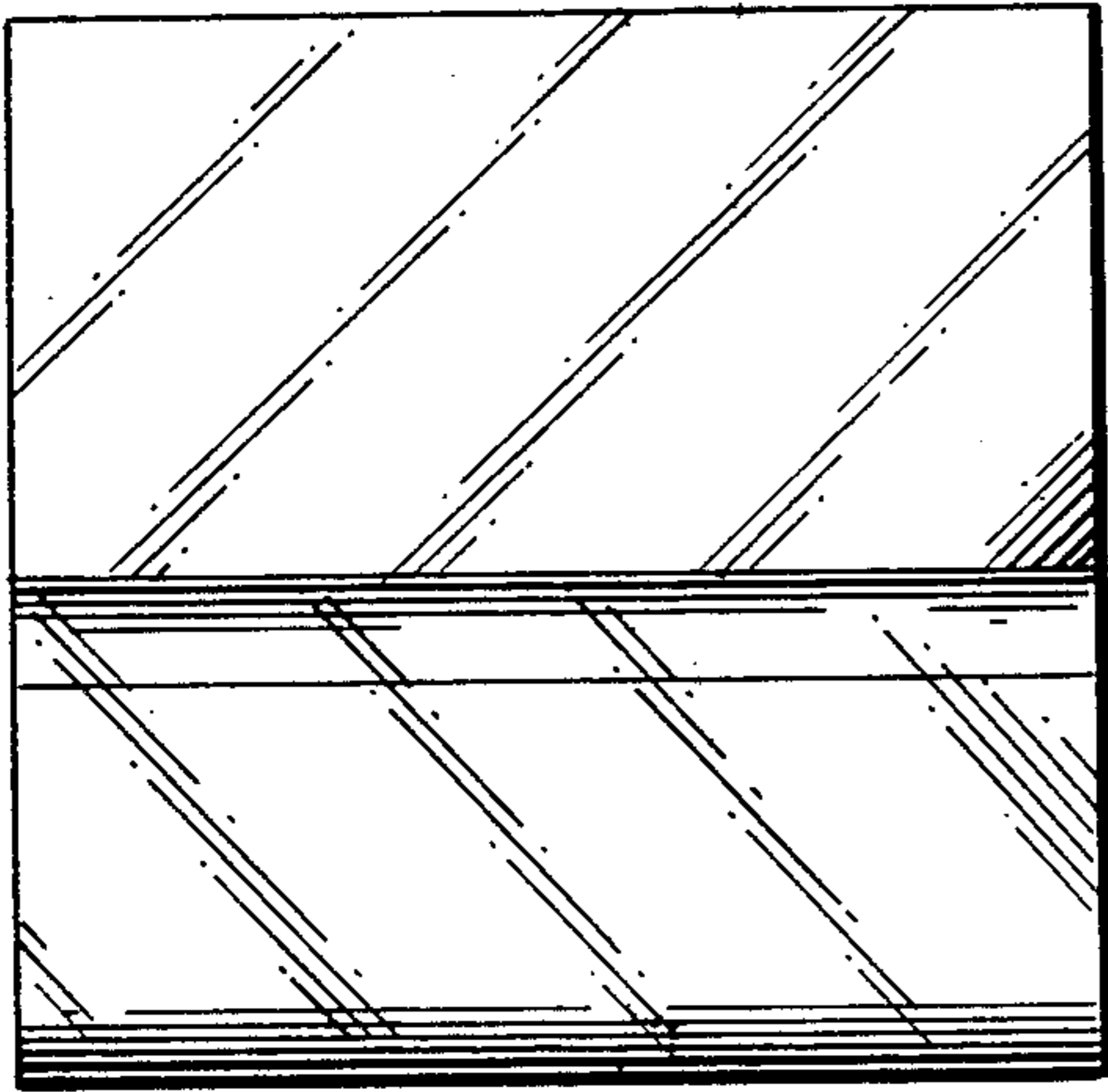


FIG. 3

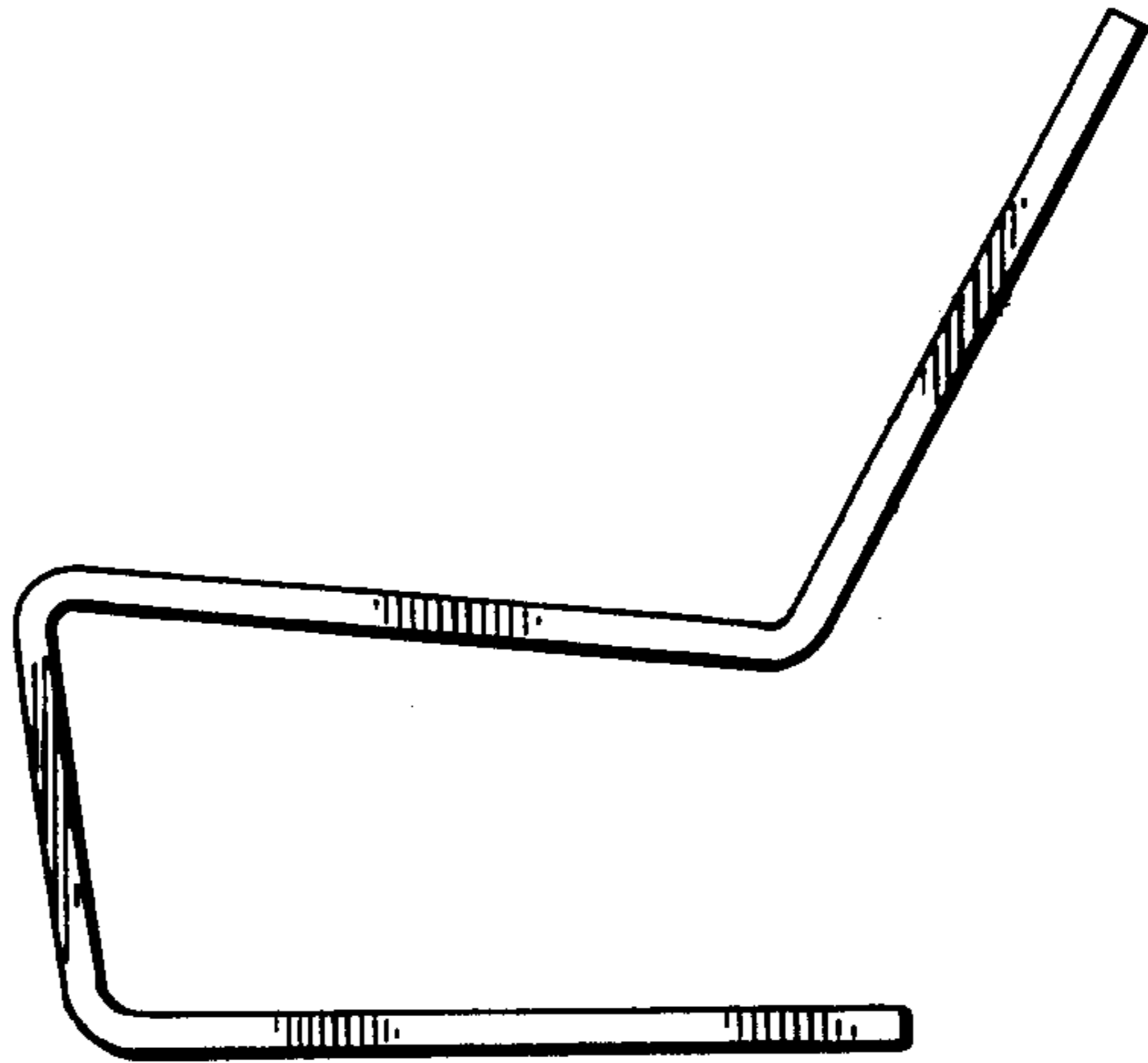


FIG. 4

