

[54] ENTERTAINMENT LIGHTING DISPLAY UNIT

[75] Inventor: Roger C. Bowser, Apache Junction, Ariz.

[73] Assignee: Retinal Circus Corporation

[**] Term: 14 Years

[21] Appl. No.: 813,104

[22] Filed: Jul. 5, 1977

Related U.S. Application Data

[63] Continuation-in-part of Ser. No. 731,111, Oct. 12, 1976, abandoned.

[51] Int. Cl. D26—05

[52] U.S. Cl. D48/20 E; D48/4 B

[58] Field of Search D48/4 B, 23 R, 20 E; 362/432, 404, 362, 363, 806

[56] References Cited

U.S. PATENT DOCUMENTS

D. 49,891 11/1916 Horn D48/4 B

OTHER PUBLICATIONS

Lightolier Lighting to Look at & See By Catalog, ©1970, p. 71, Ceiling Fixture # 10136.

Primary Examiner—Susan J. Lucas

Attorney, Agent, or Firm—James W. McFarland

[57] CLAIM

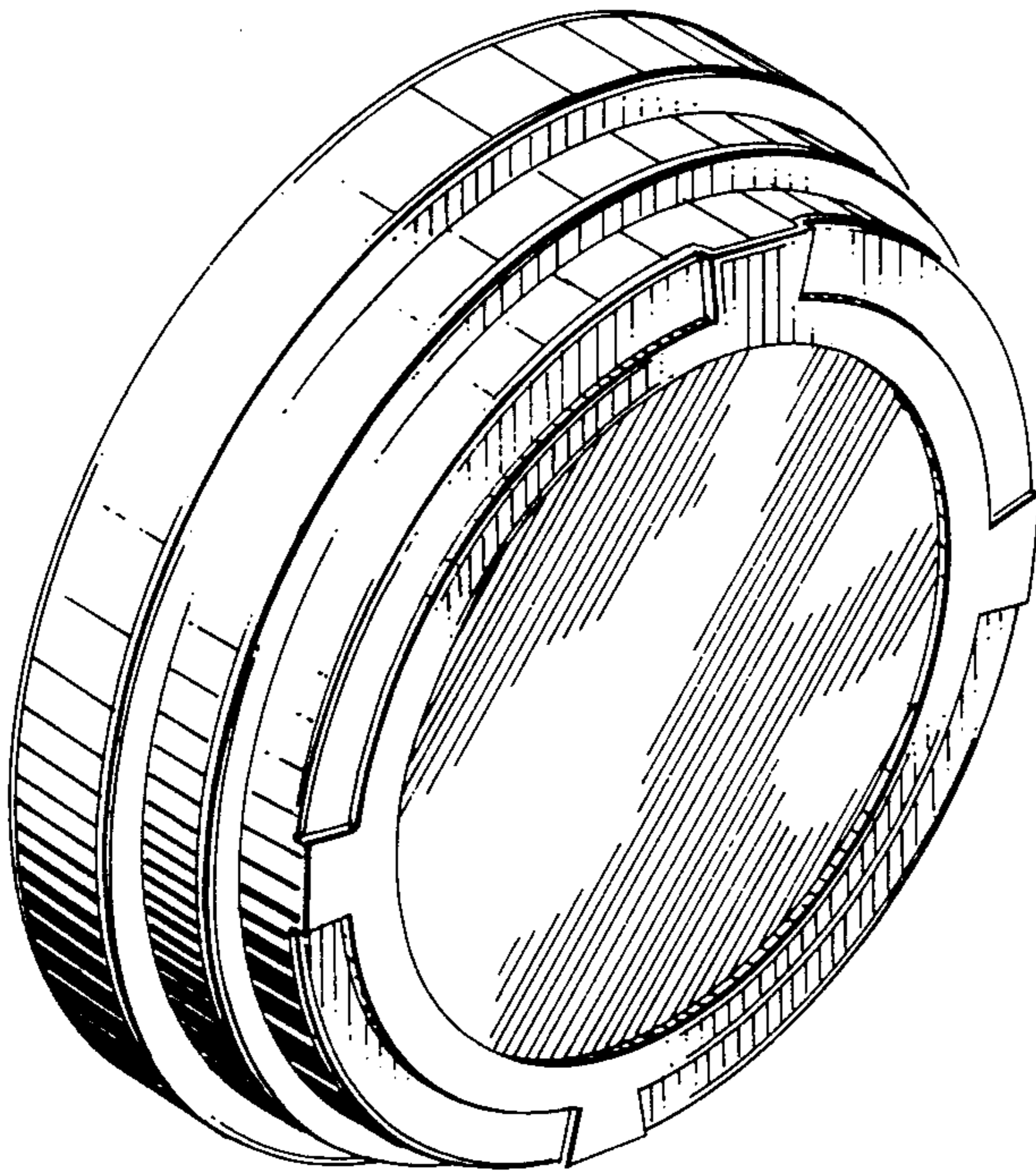
The ornamental design for an entertainment lighting display unit, as shown and described.

DESCRIPTION

FIG. 1 is a front, top, left-side perspective view of an entertainment lighting display unit showing my new design, the front center area being shaded with oblique lines to indicate translucency;

FIG. 2 is a rear, bottom, right-side perspective view thereof; and

FIG. 3 is an enlarged left-side elevational view, the right side being a mirror image thereof.



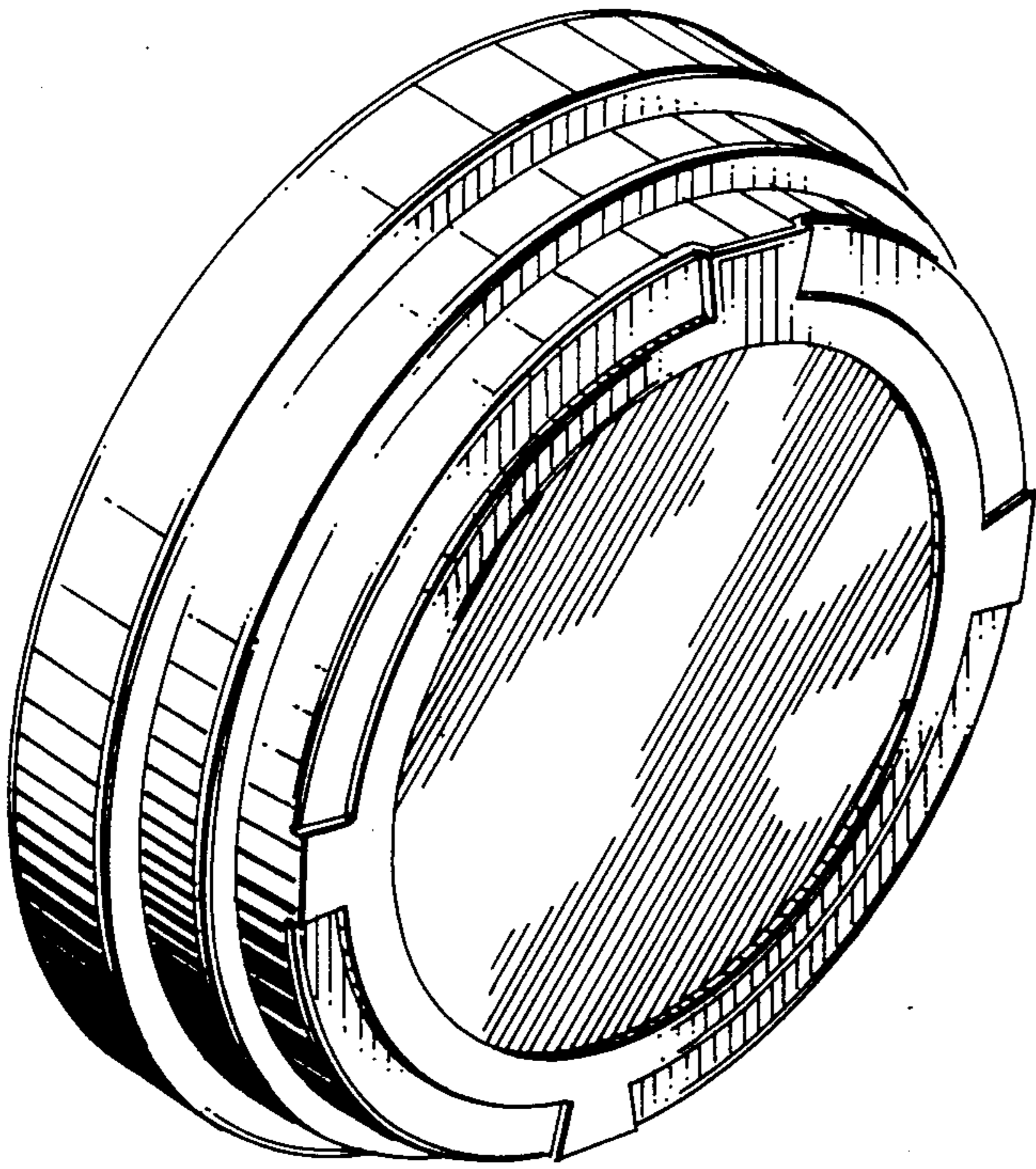


FIG. 1

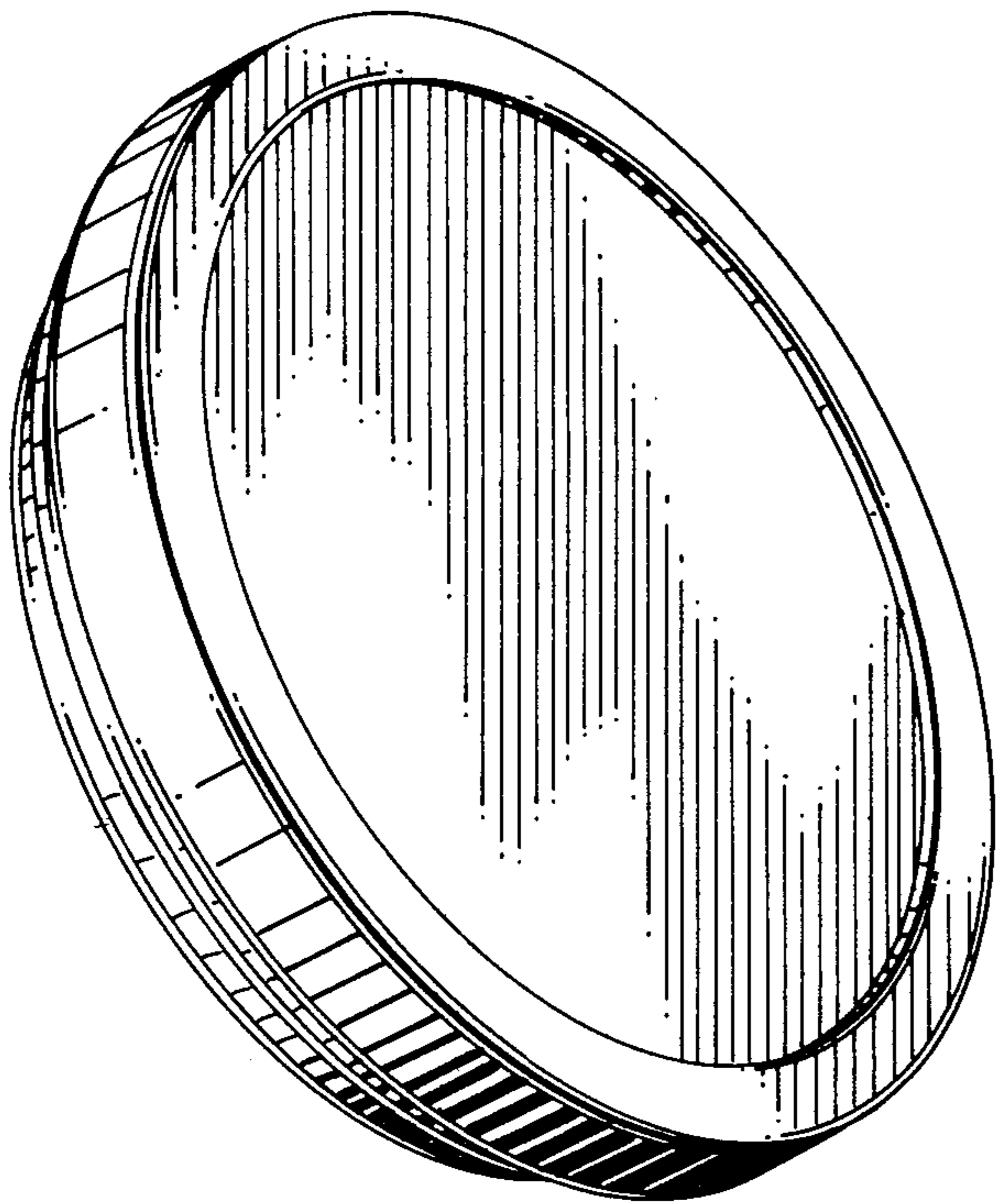


FIG. 2

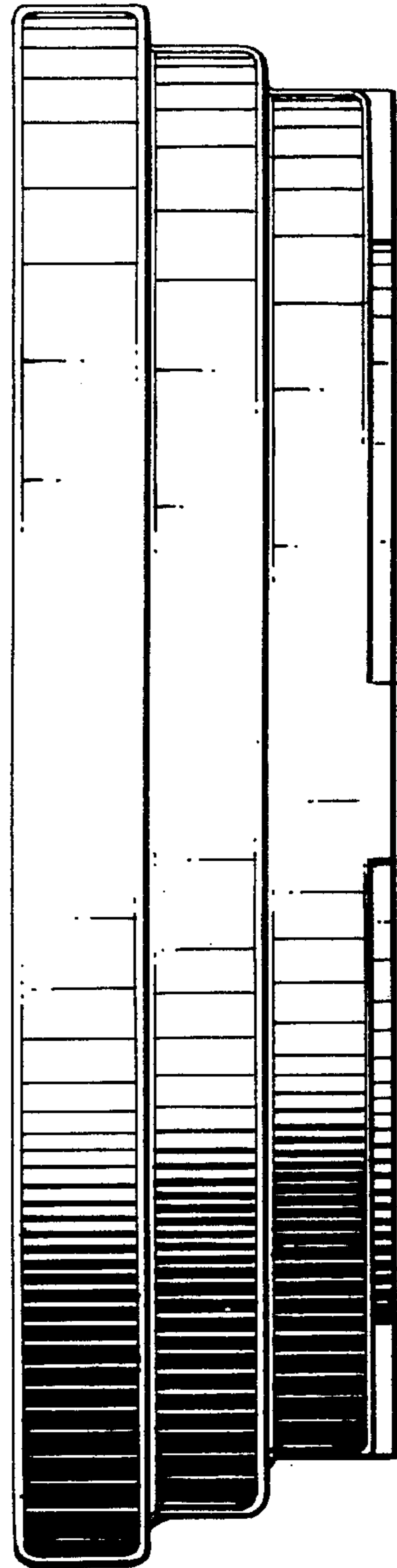


FIG. 3