

[54] NAIL POLISH TRAY

[76] Inventor: Elizabeth G. Davidson, 1046 Calle Mesita, Bonita, Calif. 92002

[\*\*] Term: 14 Years

[21] Appl. No.: 859,076

[22] Filed: Dec. 9, 1977

[51] Int. Cl. .... D28-03

[52] U.S. Cl. .... D28/61; D7/21; D7/38; D7/71

[58] Field of Search ..... D28/9, 61, 73, 76, 77, D28/85, 99; D87/5 C, 1 R; D24/31; D9/184, 185, 187-189; D7/37, 38, 21, 71; 132/1 R, 79 R; 206/235, 581, 823, 557, 558, 562, 564

[56] References Cited

U.S. PATENT DOCUMENTS

D. 98,243	1/1936	Flaster .....	D28/61
D. 109,208	4/1938	Conradsen .....	D28/61
D. 147,009	7/1947	Greger .....	D28/9
D. 188,126	6/1960	Strauss .....	D7/71

Primary Examiner—Louis S. Zarfes

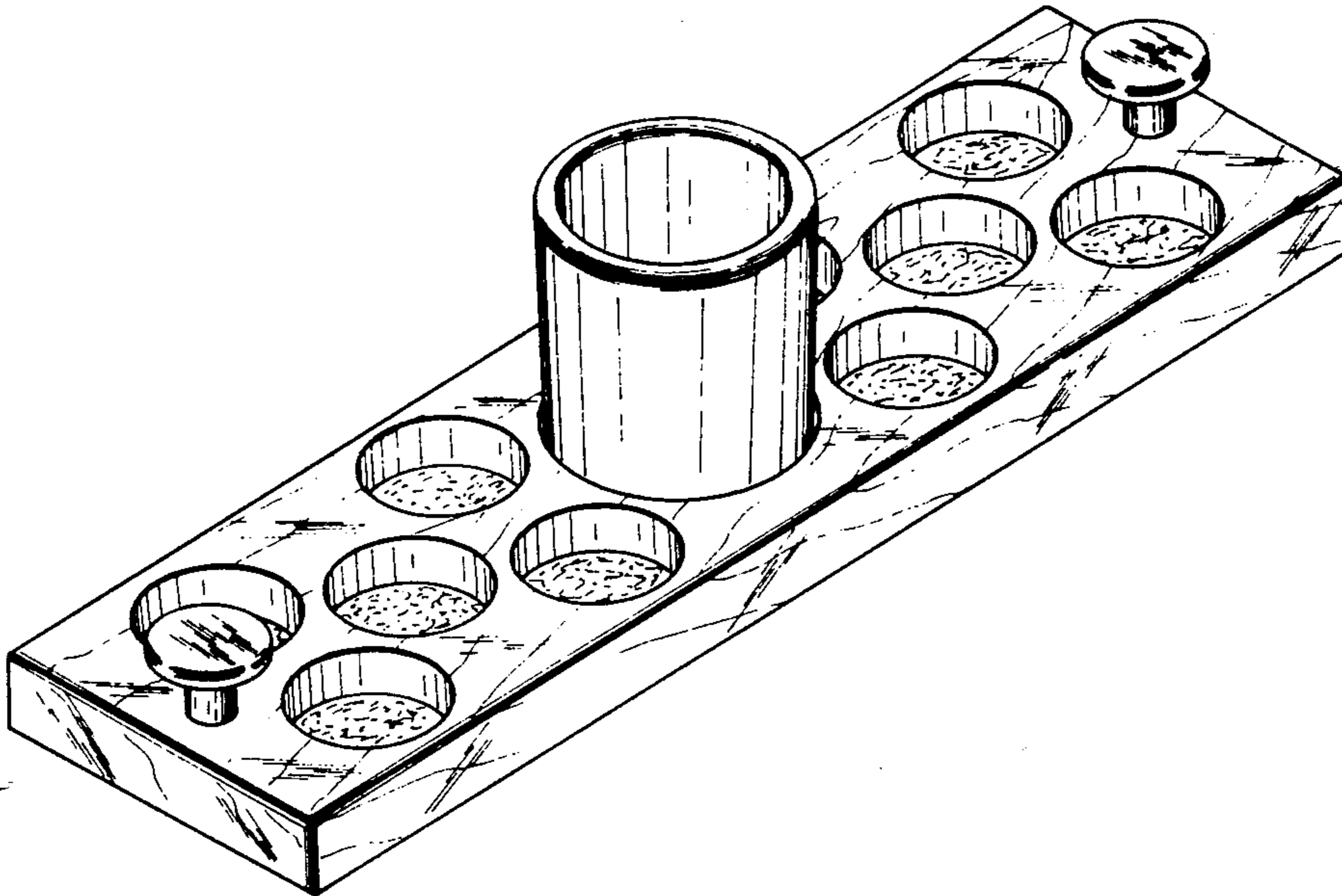
Attorney, Agent, or Firm—Charles C. Logan, II

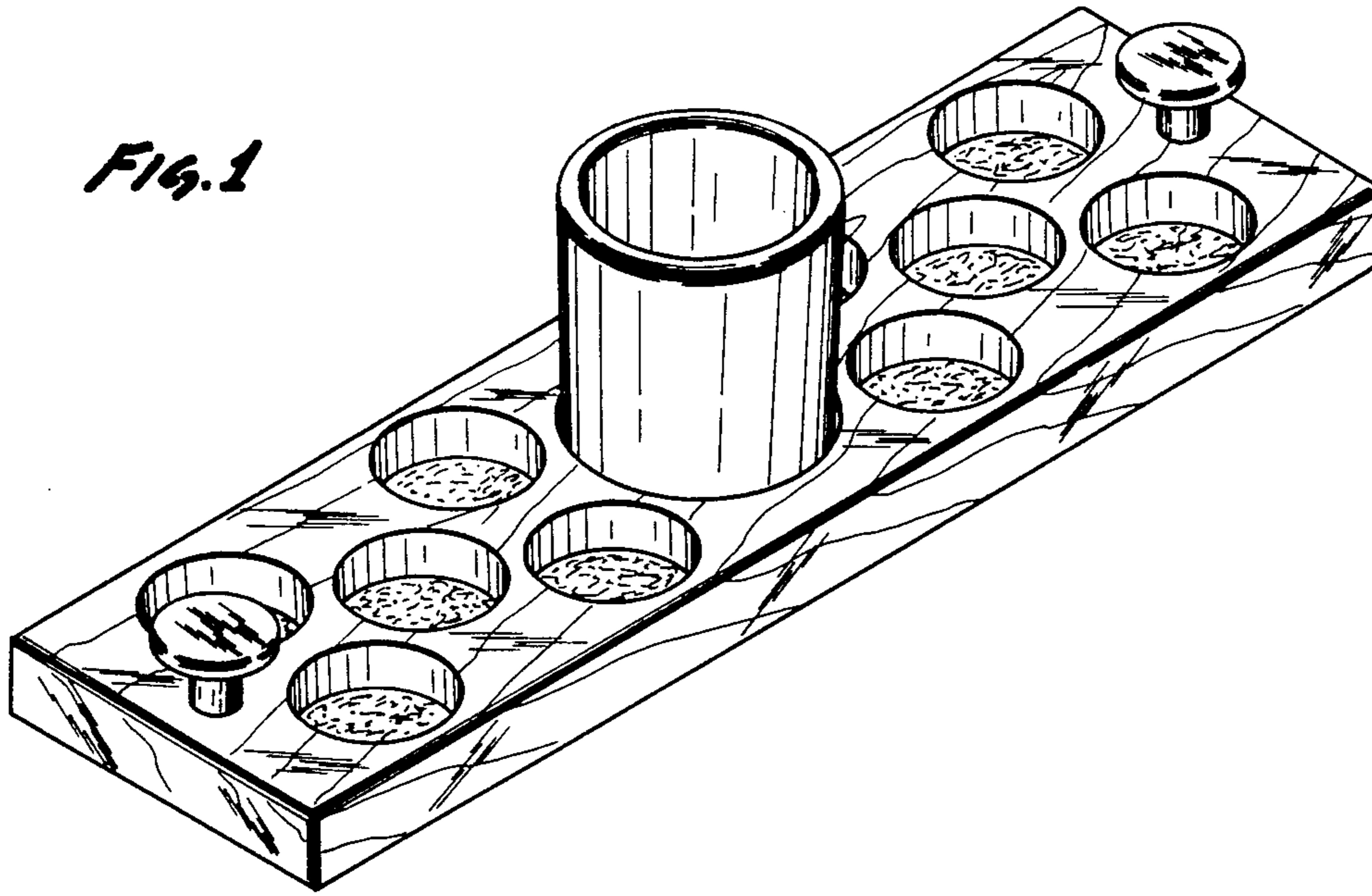
[57] CLAIM

The ornamental design for a nail polish tray, substantially as shown and described.

DESCRIPTION

FIG. 1 is a perspective view of a nail polish tray showing my new design; and FIG. 2 is a top plan view thereof; The tray is symmetrical and the bottom is unornamented.





**FIG. 2**

