

[54] **JAR MOUNTED PIPETTOR**

[75] Inventors: **James C. Smith, Hayward; Stanley J. Withers, Berkeley, both of Calif.**

[73] Assignee: **Oxford Laboratories, Inc.**

[**] Term: **14 Years**

[21] Appl. No.: **816,903**

[22] Filed: **Jul. 18, 1977**

[51] Int. Cl. **D24-02**

[52] U.S. Cl. **D24/55**

[58] Field of Search 222/43, 44, 309;
73/425.6; 137/533.15; D24/55

3,987,934 10/1976 Reed et al. 222/43
4,074,831 2/1978 Roach 222/43

OTHER PUBLICATIONS

Cole-Parmer, 1977-78 ©1976, p. 259, Repipet Jr., Dispenser.

Primary Examiner—Bernard Ansher
Attorney, Agent, or Firm—Karl A. Limbach

[57] **CLAIM**

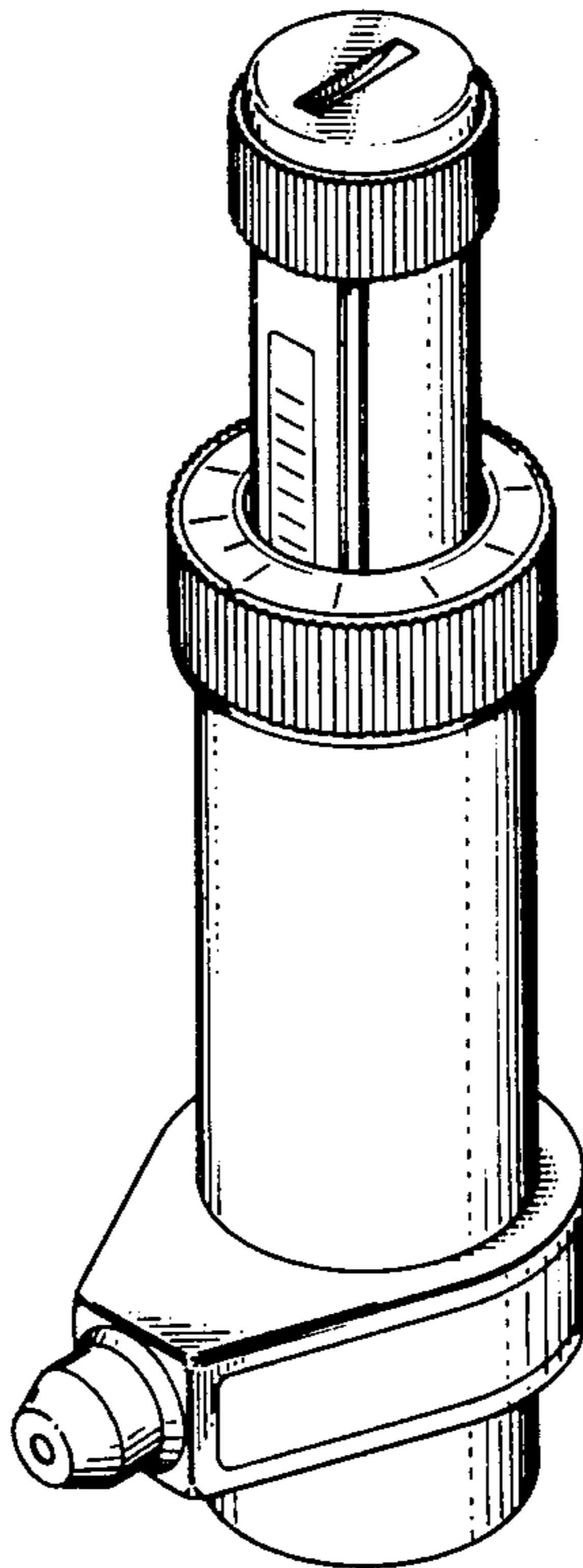
The ornamental design for a jar mounted pipettor, as shown.

DESCRIPTION

FIG. 1 is a perspective view of a jar mounted pipettor showing our new design;
 FIG. 2 is a view of the top thereof;
 FIG. 3 is a view of the right side thereof;
 FIG. 4 is a view of the rear thereof;
 FIG. 5 is a view of the left side thereof;
 FIG. 6 is a view of the front thereof; and
 FIG. 7 is a view of the bottom thereof.

[56] **References Cited**
U.S. PATENT DOCUMENTS

3,452,901 7/1969 Roach 222/49
 3,574,334 4/1971 Roach 222/385
 3,729,022 4/1973 Roach 137/533.15
 3,940,027 2/1976 Marterer 222/309



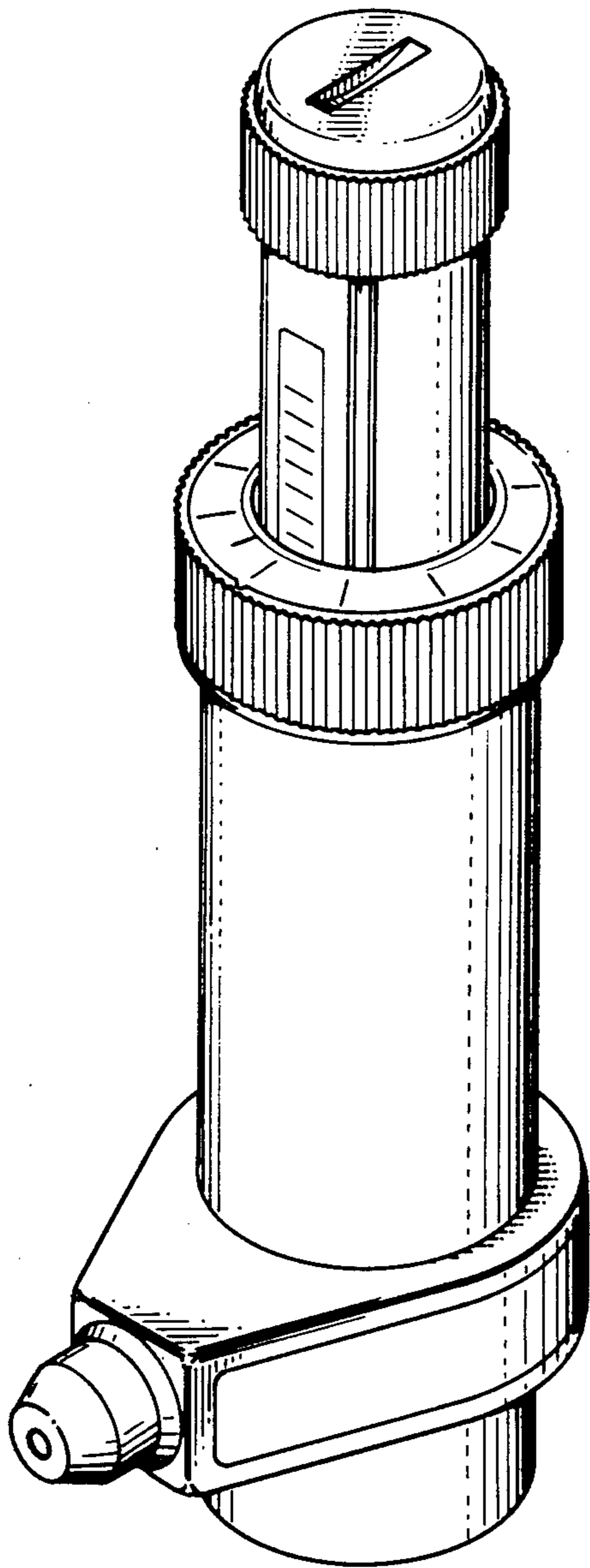


FIG. 1.

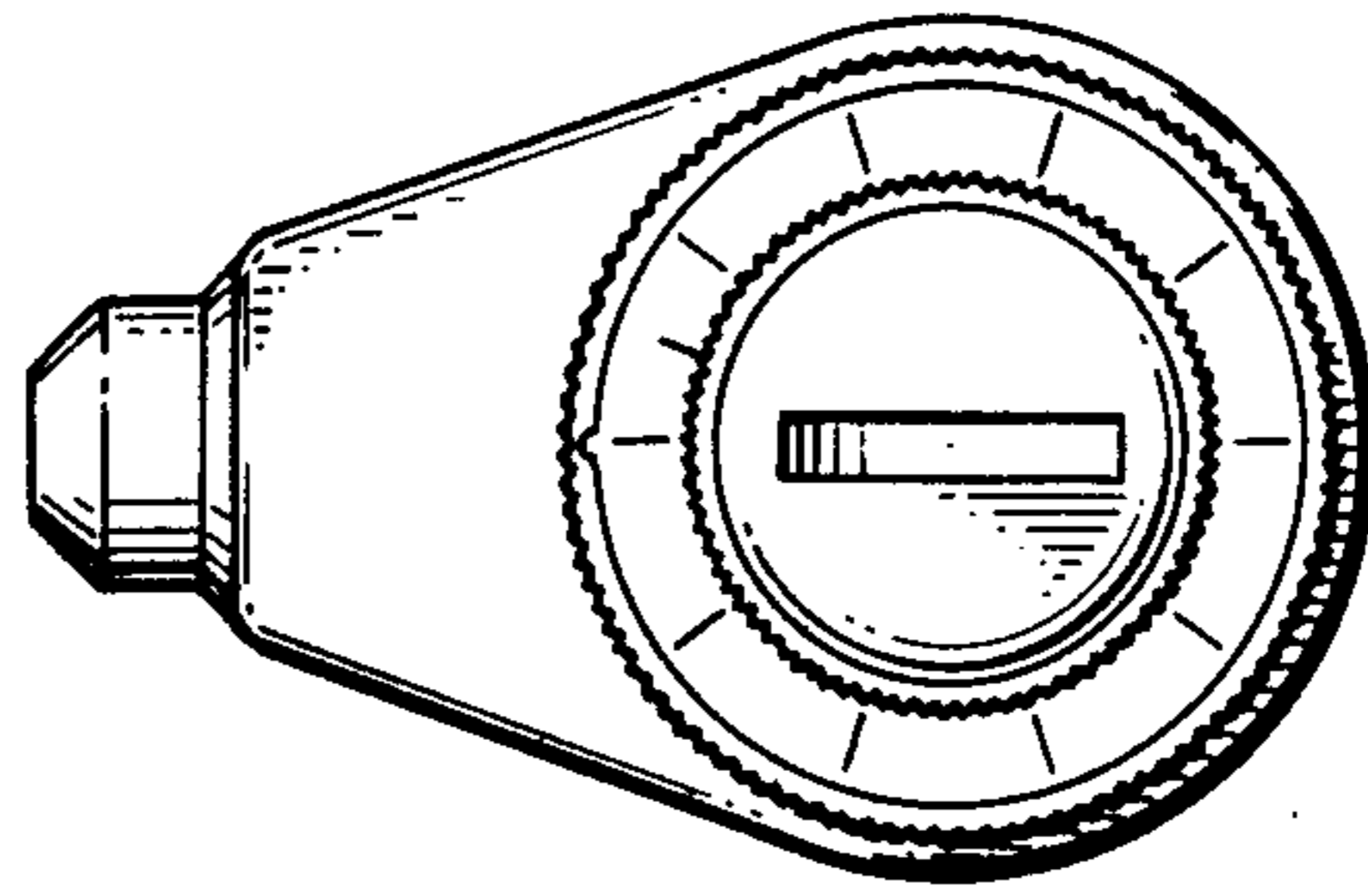


FIG. 2.

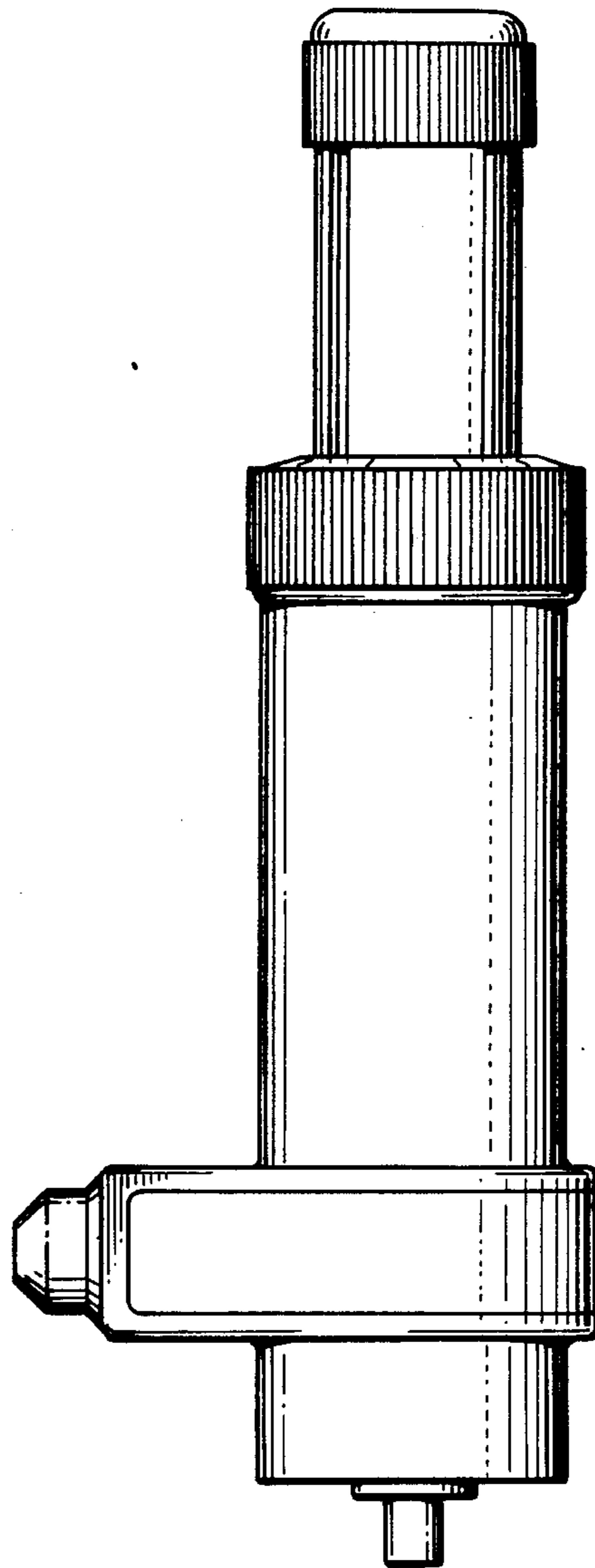


FIG. 3.

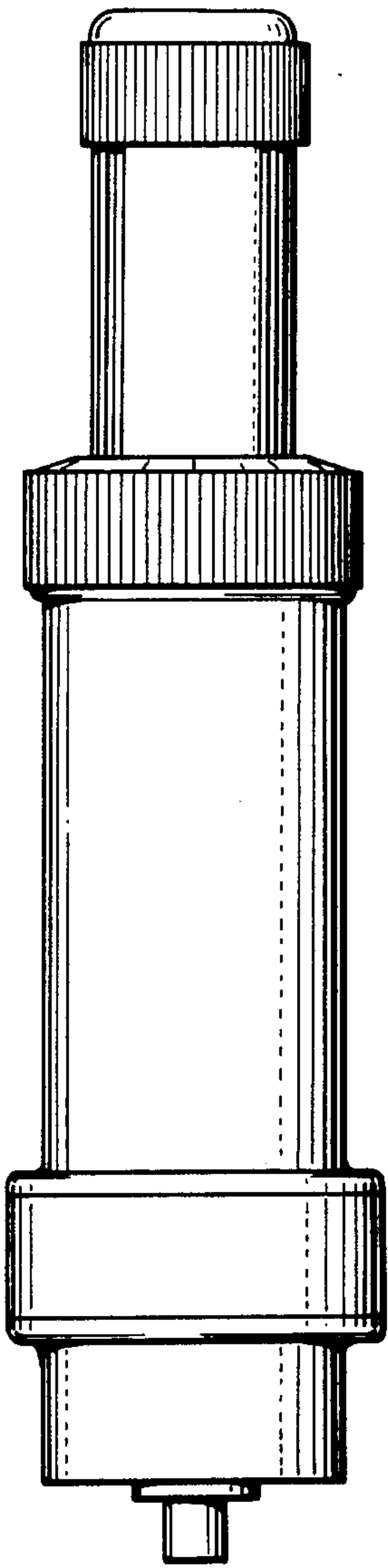


FIG. 4.

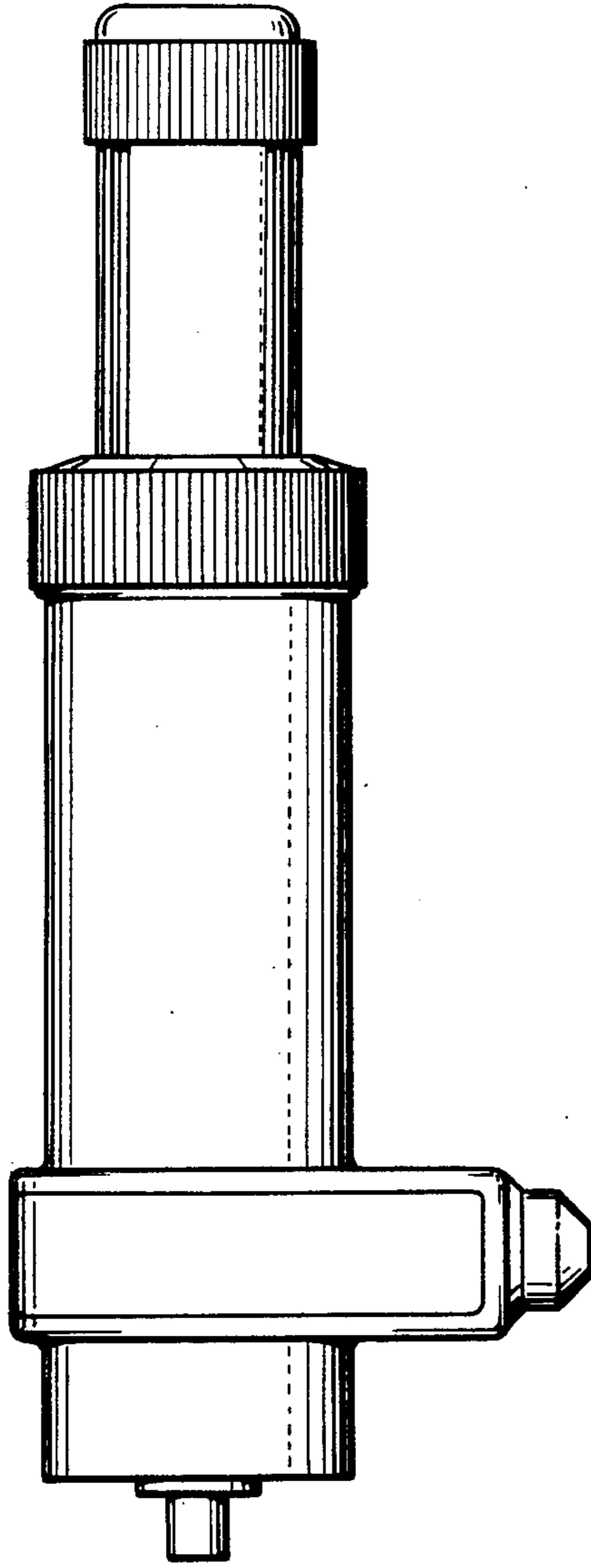


FIG. 5.

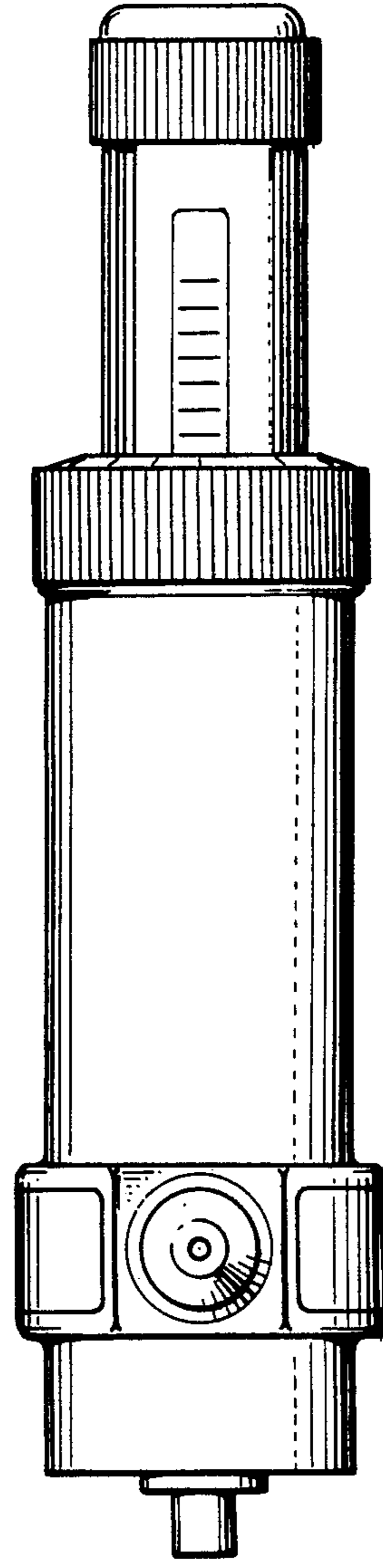


FIG. 6.

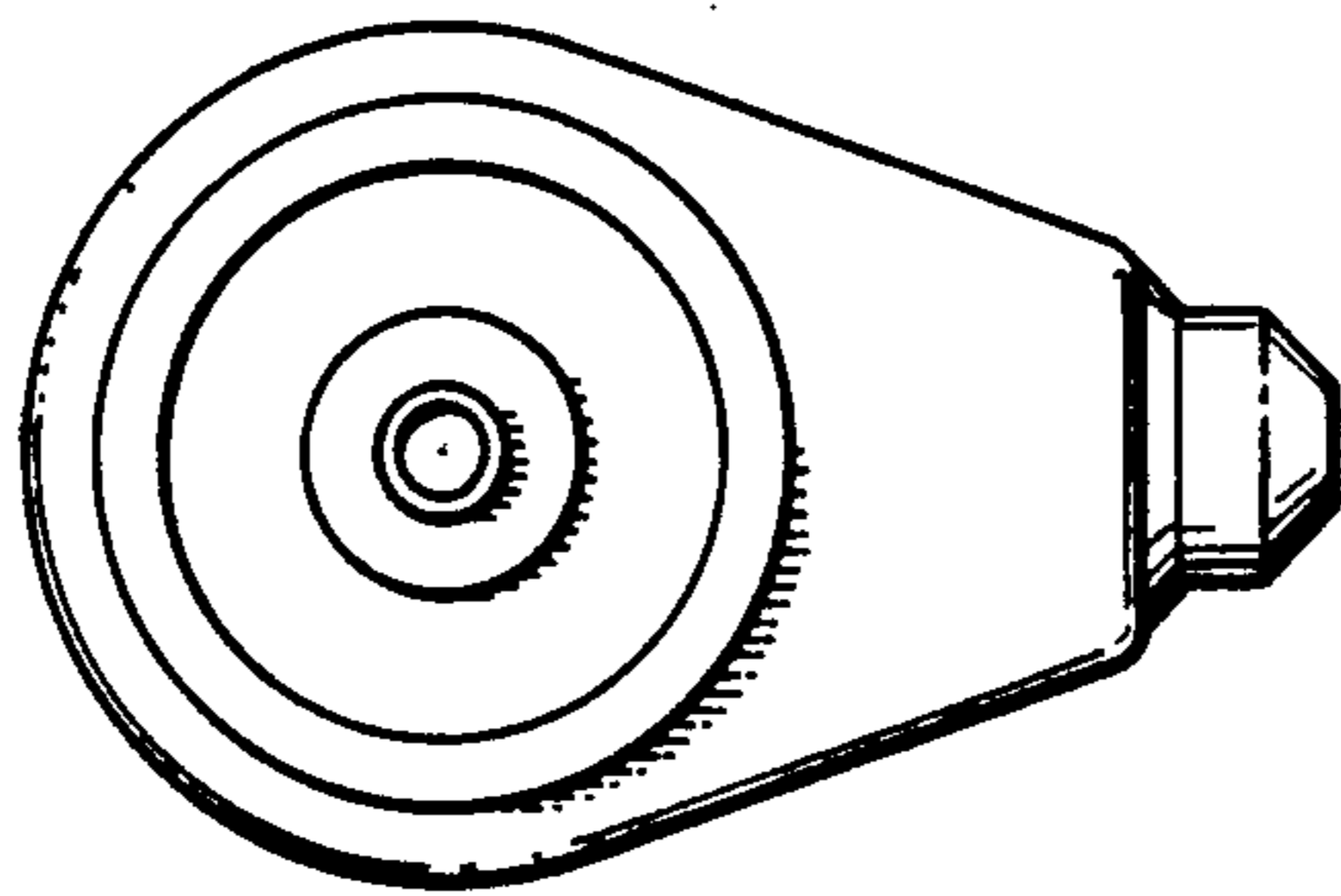


FIG. 7.