

[54] PIPETTE	3,232,117	2/1966	Gilmont	73/425.6
	3,810,391	5/1974	Suovaniemi	73/425.6
[75] Inventors: Stanley J. Withers, Berkeley; Ronald L. Sturm, San Carlos, both of Calif.	3,827,305	8/1974	Gilson et al.	73/425.6
	4,009,611	3/1977	Koffer et al.	73/425.6
	4,099,548	7/1978	Strum et al.	73/425.6 X

[73] Assignee: Oxford Laboratories, Inc.

[**] Term: 14 Years

[21] Appl. No.: 803,899

[22] Filed: Jun. 6, 1977

[51] Int. Cl. D24-02

[52] U.S. Cl. D24/55; 73/425.6

[58] Field of Search 73/425.6, 425.4 P; D24/55, 99; 222/43, 44, 49, 309

[56] References Cited

U.S. PATENT DOCUMENTS

Re. 27,637	5/1973	Roach	73/425.6
D. 249,553	9/1978	Strum et al.	D24/55

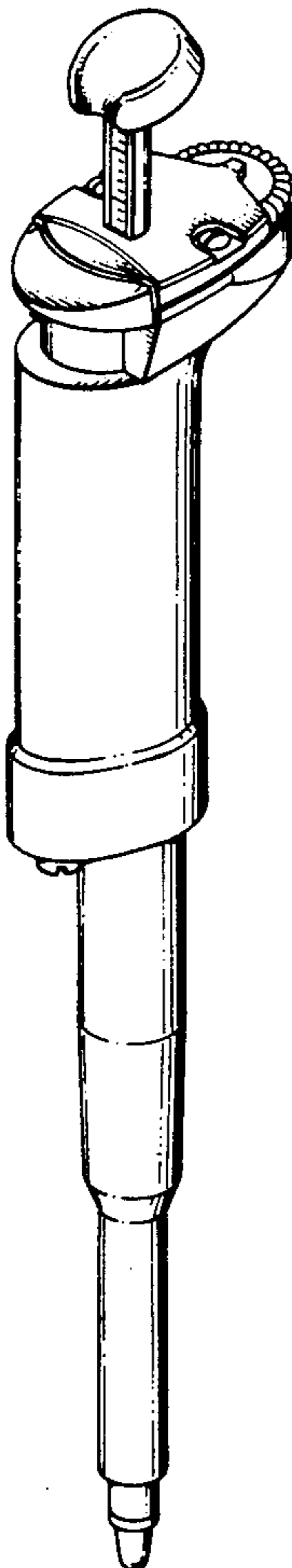
Primary Examiner—Bernard Ansher
Attorney, Agent, or Firm—Karl A. Limbach

[57] CLAIM

The ornamental design for a pipette, as shown.

DESCRIPTION

FIG. 1 is a perspective view of a variable volume hand held micropipettor showing our new design;
 FIG. 2 is a front view thereof;
 FIG. 3 is a view of the right side thereof;
 FIG. 4 is a top view of FIG. 3;
 FIG. 5 is a bottom view of FIG. 3;
 FIG. 6 is a rear view thereof; and
 FIG. 7 is a view of the left side thereof.



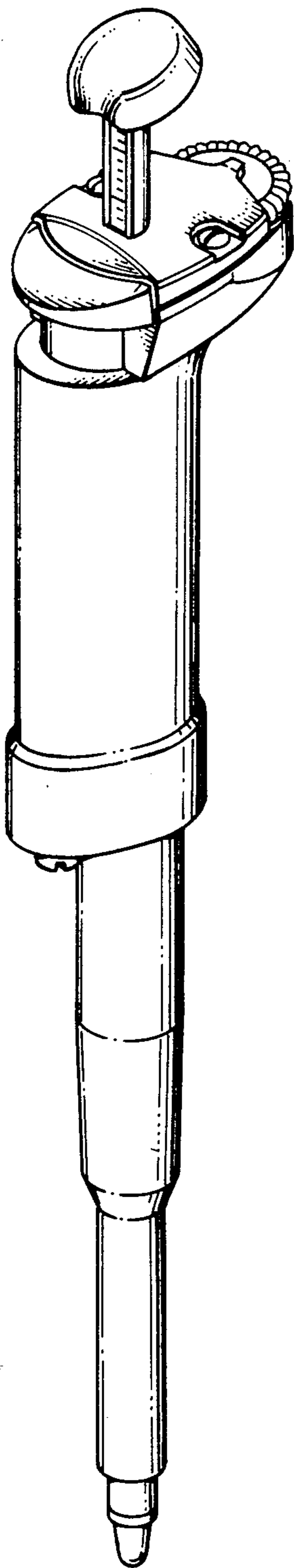


FIG
.1.

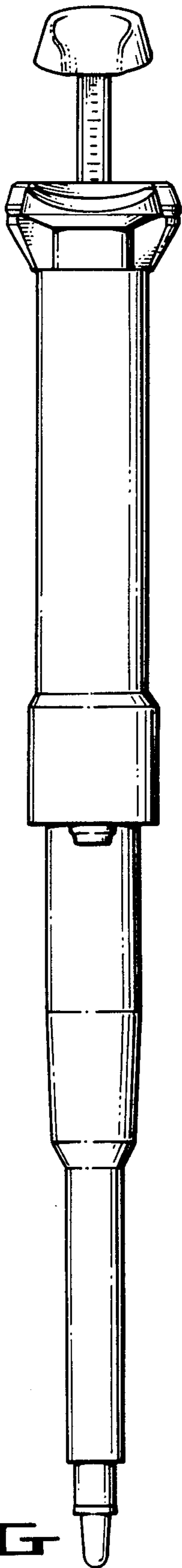


FIG
.2.

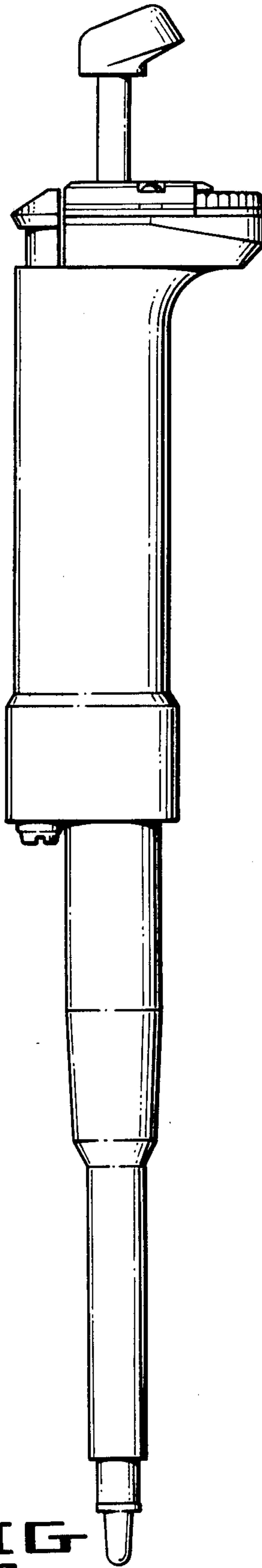


FIG
.3.

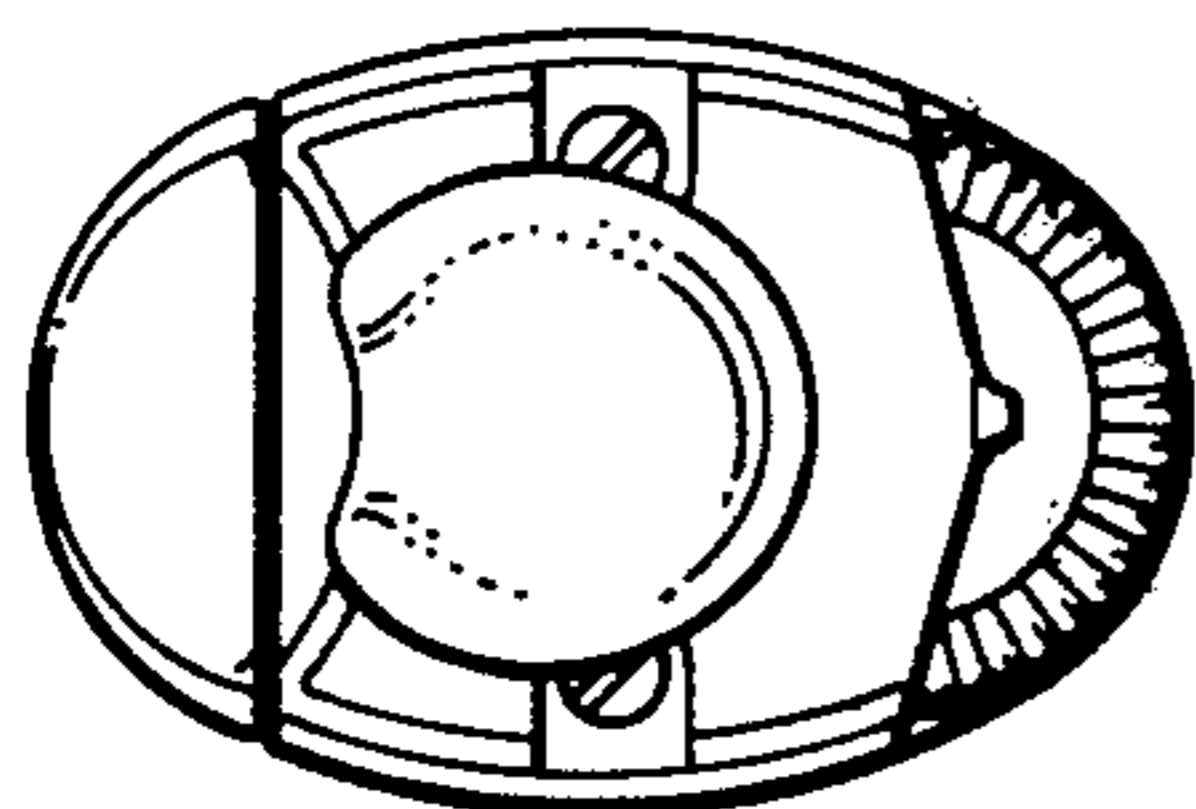


FIG. 4.

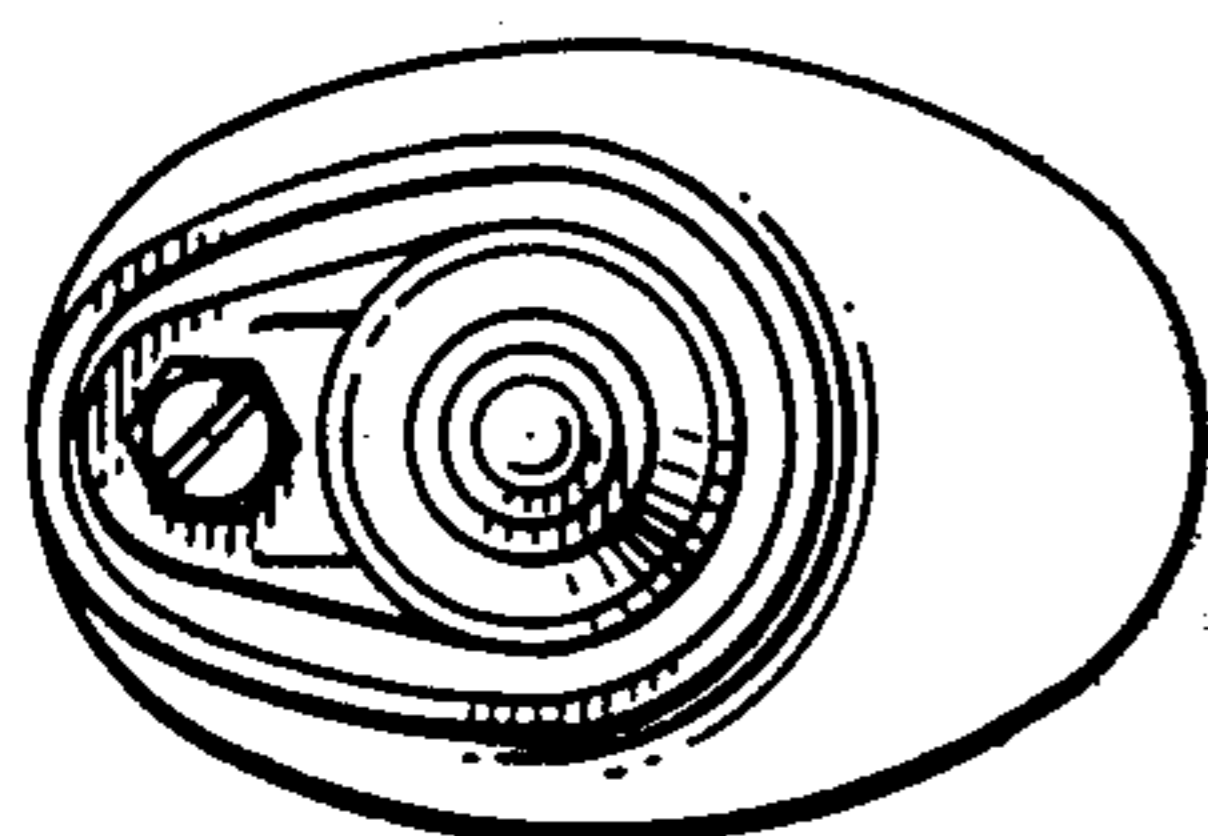


FIG. 5.

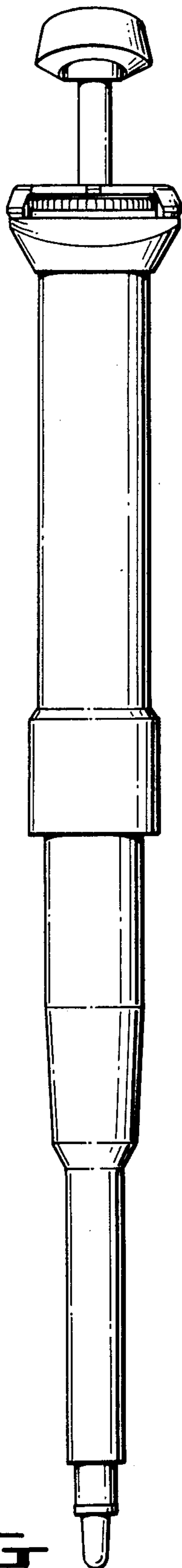


FIG.
.6.

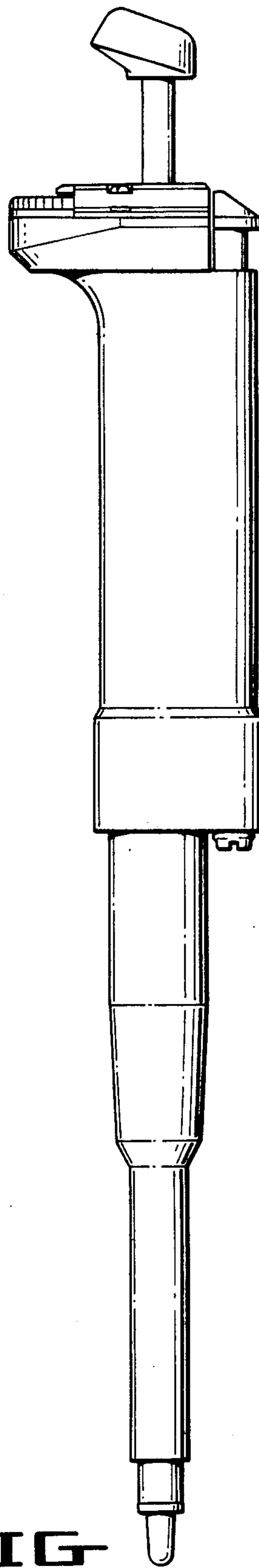


FIG.
.7.